



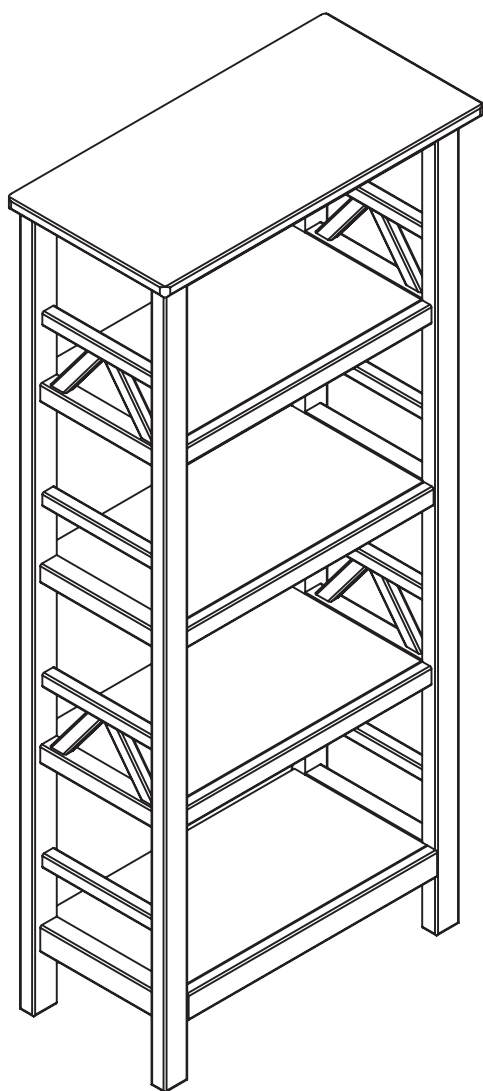
LINON HOME DECOR PRODUCTS, INC.

# ASSEMBLY INSTRUCTIONS

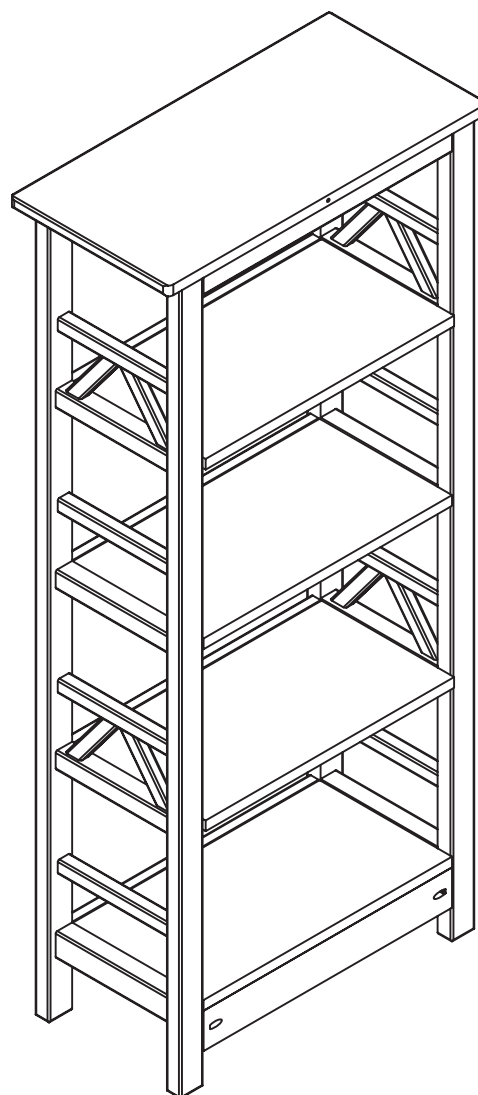
TITIAN BOOKCASE

MODEL# 86150ATOB-01-KD-U

Sears# 15396



Front view



Back view

MADE IN CHINA

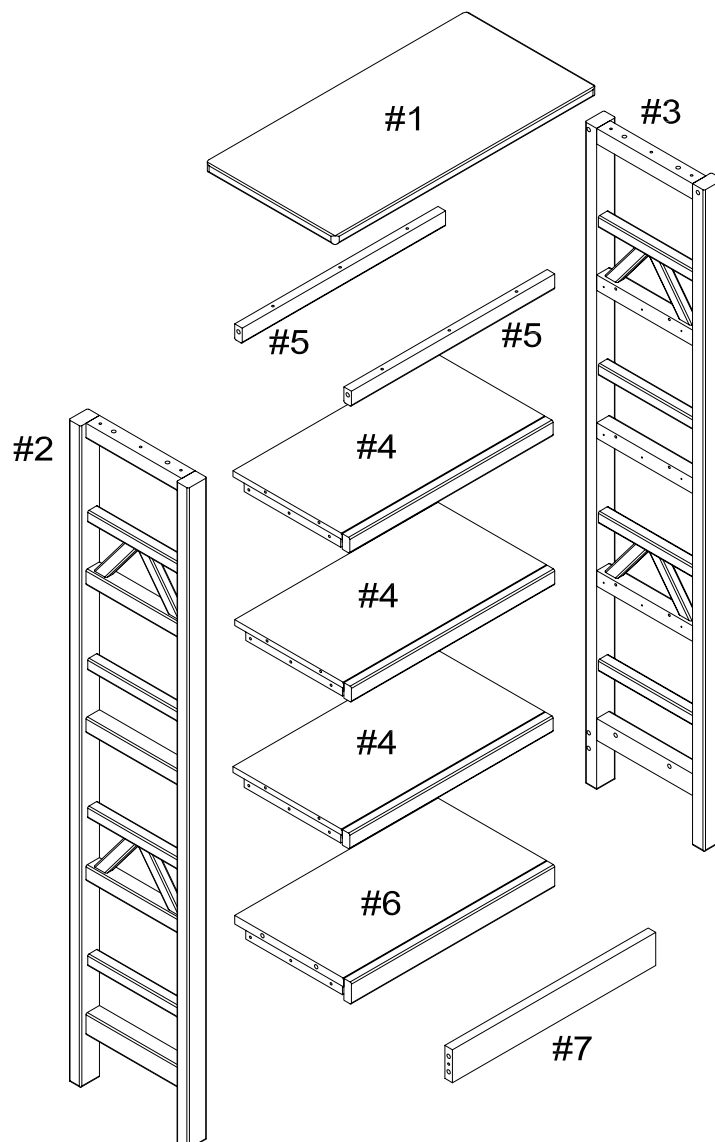
FOR LINON HOME DECOR PRODUCTS INC BY CH46



# LINON HOME DECOR PRODUCTS, INC.

## PARTS IDENTIFICATION

ITEM	DESCRIPTION	QTY
#1	TOP SHELF	01
#2	LEFT SIDE	01
#3	RIGHT SIDE	01
#4	CENTER SHELF	03
#5	TOP RAIL	02
#6	BOTTOM SHELF	01
#7	BOTTOM RAIL	01




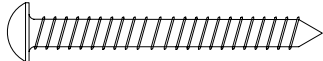

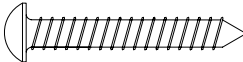

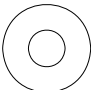
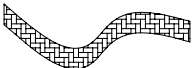

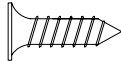

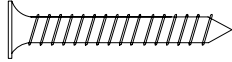
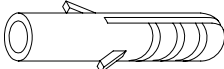

For ease of identification all parts are labeled to correspond to the Step number in which the part is used.



# LINON HOME DECOR PRODUCTS, INC.

## HARDWARE IDENTIFICATION

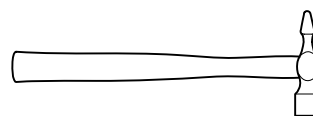
Please line up the hardware with the correct full size image to make sure you are installing the hardware correctly.

ITEM	PICTURE	DESCRIPTION	QTY
A	 	(Ø4x40mm) Full size	SCREW 12
B	 	(Ø4x30mm) Full size	SCREW 26
C		(Ø8x30mm) Full size	WOODEN DOWEL 16
D		(Ø12mm) Full size	FLAT WASHER 02
E		Not to Scale	STRAP 01
F	 	(Ø3.5x15mm) Full size	WOOD SCREW 01
G	 	(Ø3.5x30mm) Full size	WALL SCREW 01
H		(30mm) Not to Scale	WALL ANCHOR 01
I		(Ø6x30mm) Full size	WOODEN DOWEL 12

Tools required



Long screwdriver



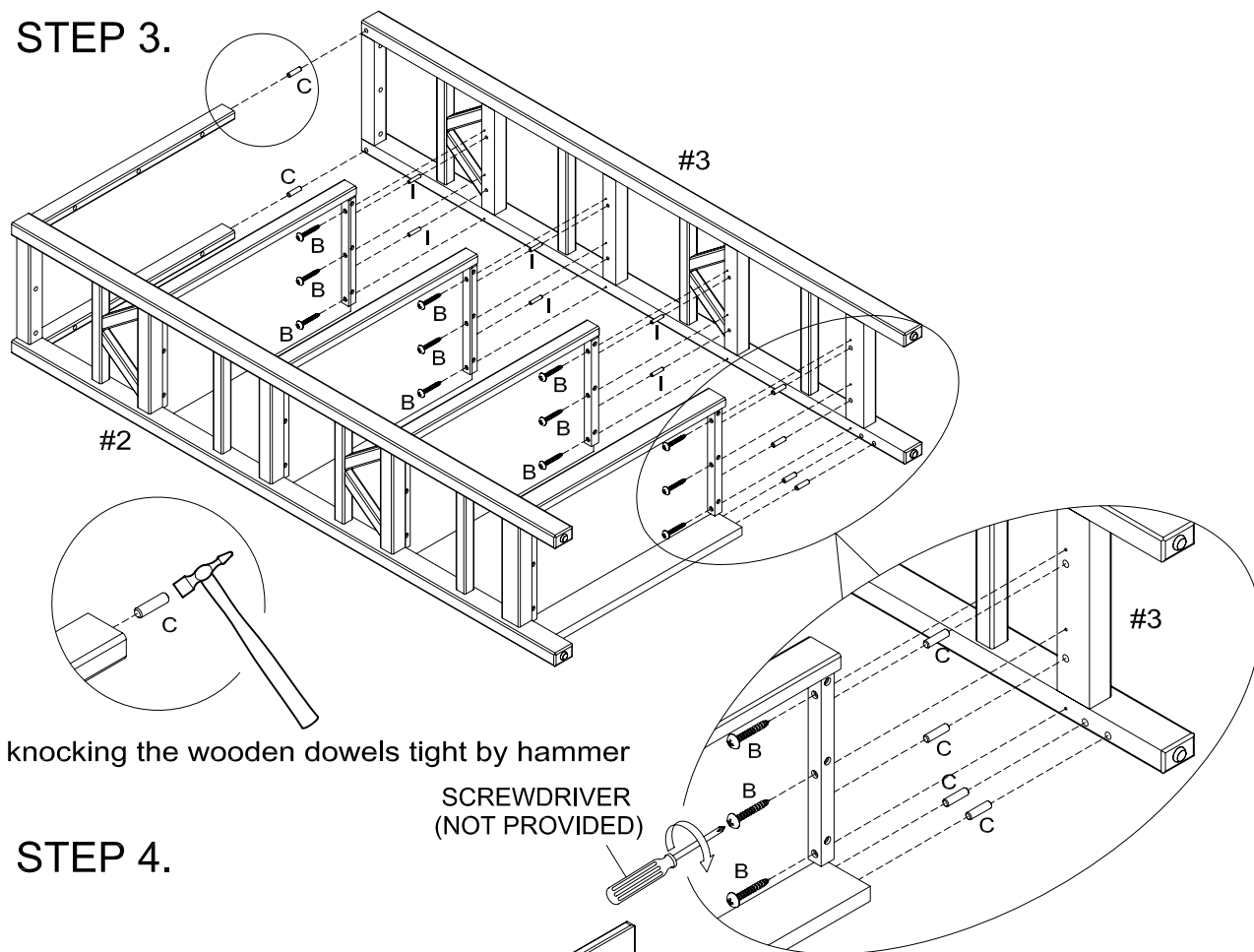
Small  
hammer





# LINON HOME DECOR PRODUCTS, INC.

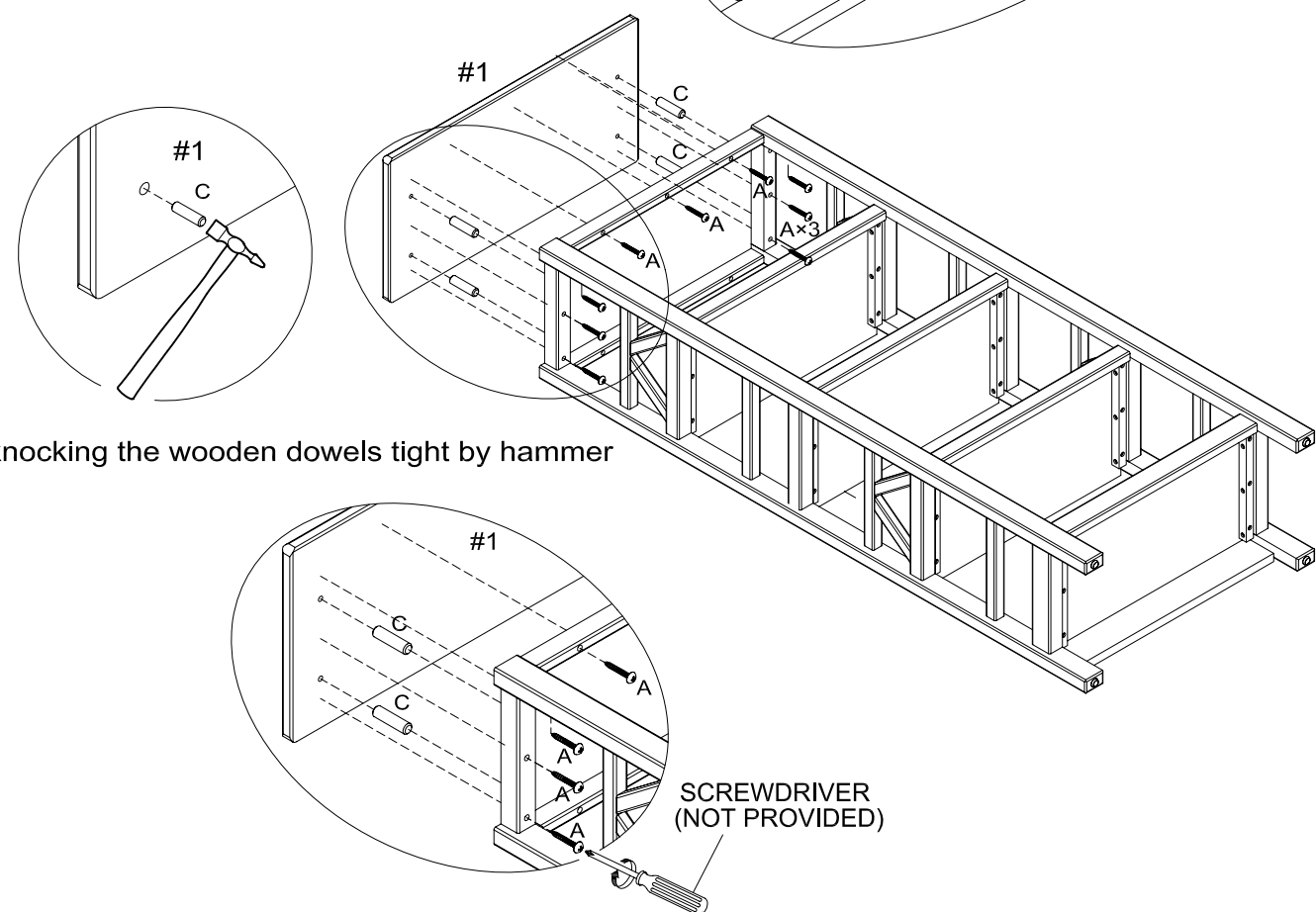
## STEP 3.



knocking the wooden dowels tight by hammer

SCREWDRIVER  
(NOT PROVIDED)

## STEP 4.



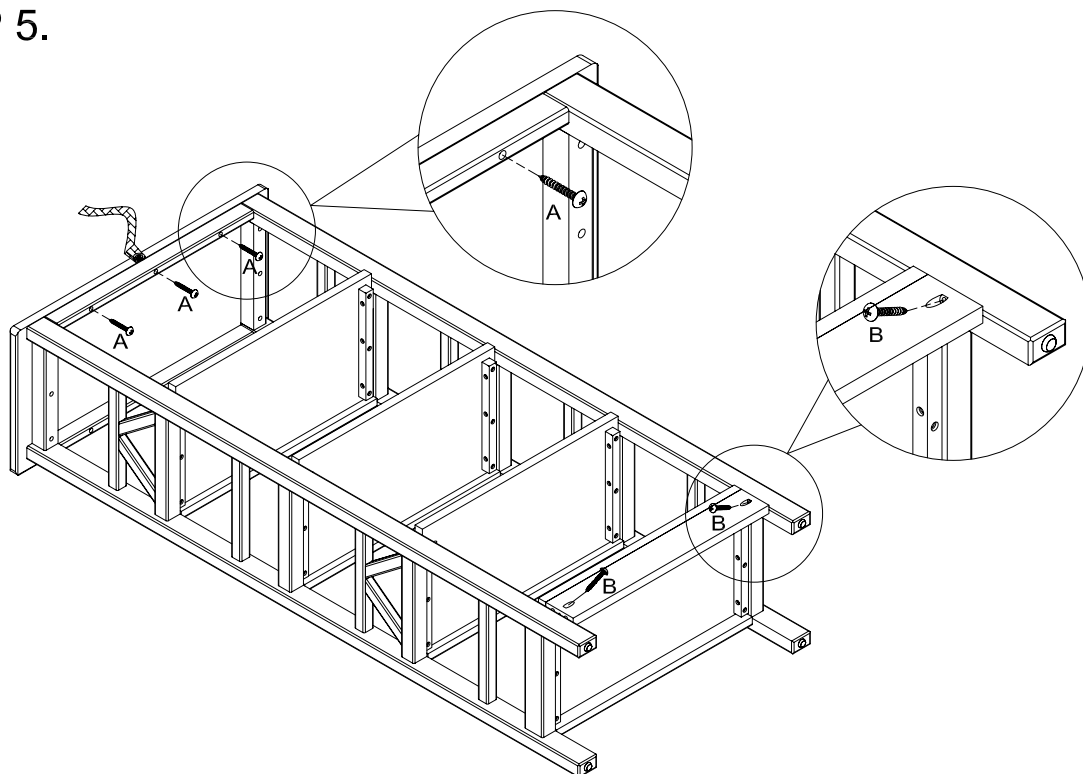
knocking the wooden dowels tight by hammer

SCREWDRIVER  
(NOT PROVIDED)

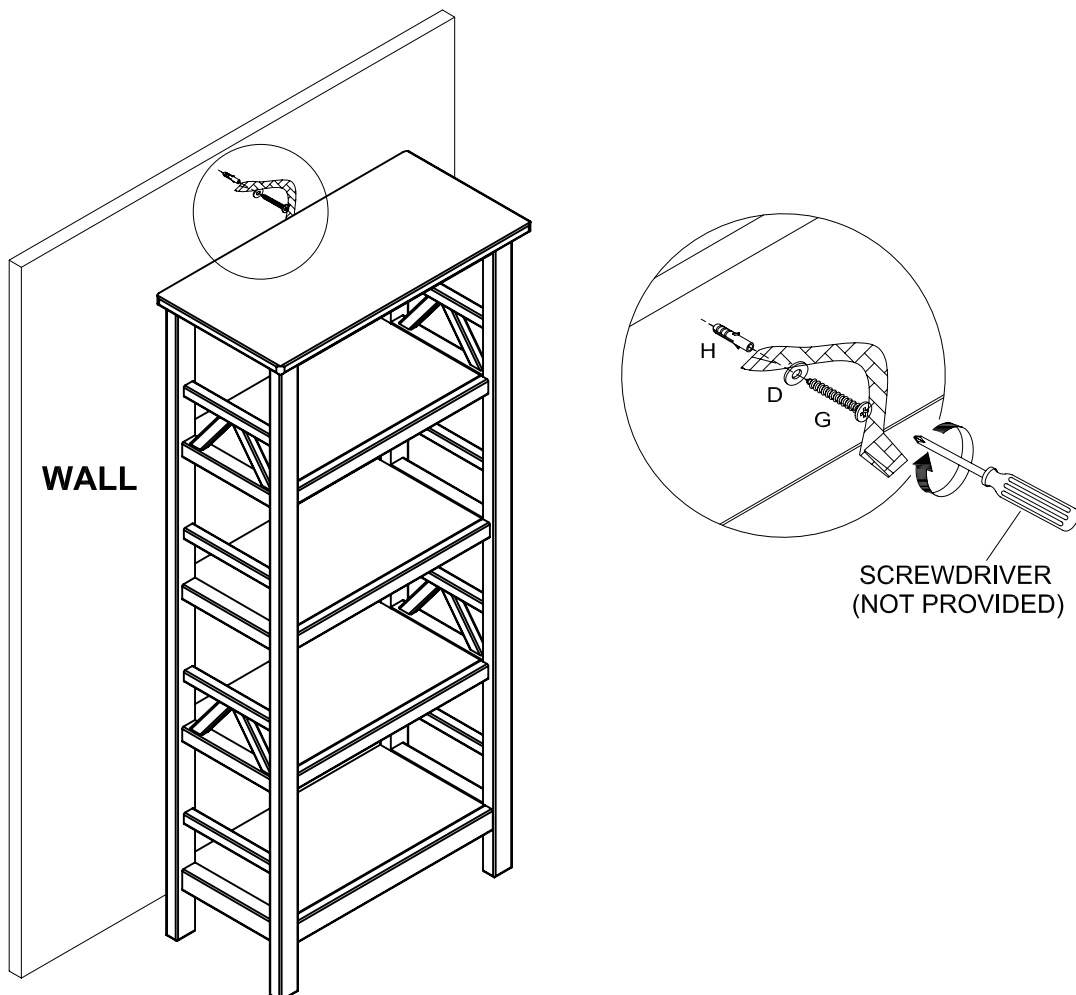


# LINON HOME DECOR PRODUCTS, INC.

## STEP 5.



## STEP 6.





**LINON HOME DECOR PRODUCTS, INC.**

**STEP 7.**



**WARNING**

**Serious or fatal crushing injuries can occur from furniture tip-over. To help prevent tip-over:**

- Place heaviest items in the lowest drawers.
- Unless specifically designed to accommodate, do not set TVs or other heavy objects on the top of this product.
- Never allow children to climb or hang on drawers, doors, or shelves.
- Do not defeat or remove the drawer interlock system.

**Use of tip-over restraints may only reduce, but not eliminate, the risk of tip-over.**

*This is a permanent label. Do not attempt to remove!*

