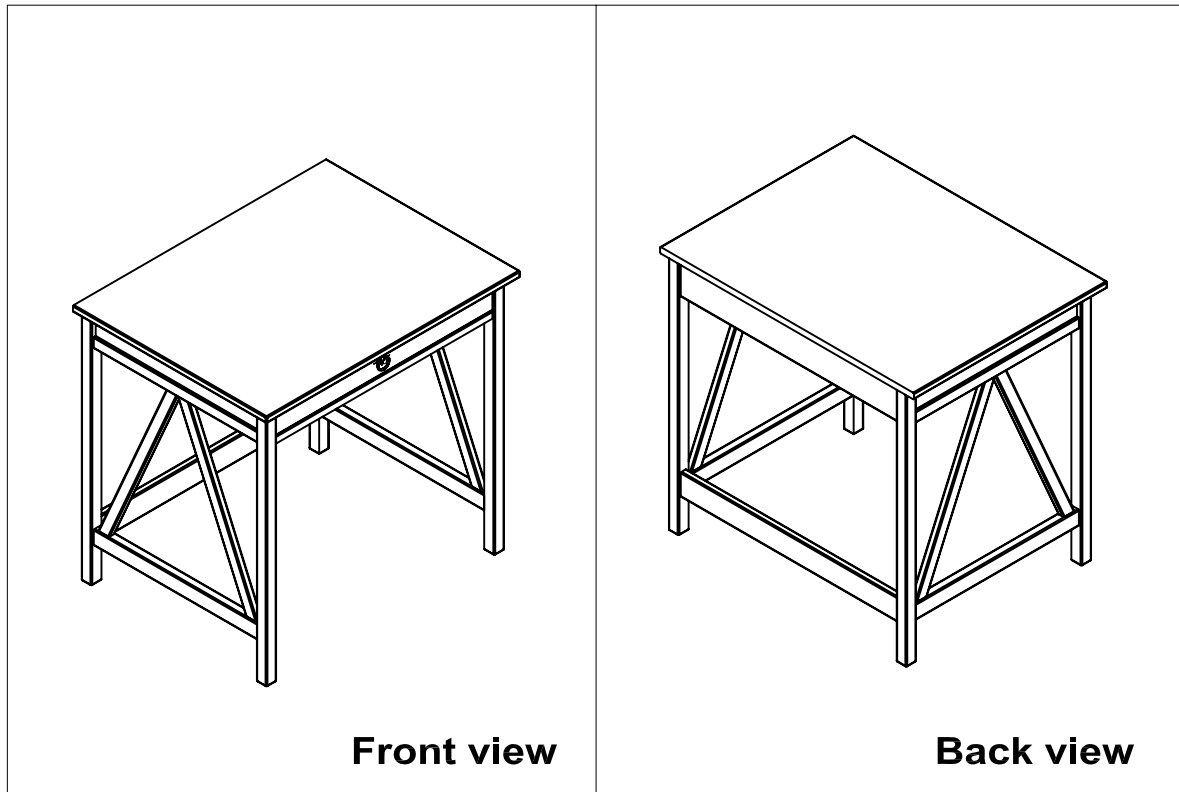




LINON HOME DECOR PRODUCTS, INC.

ASSEMBLY INSTRUCTIONS

**TITIAN LAPTOP DESK
86155ATOB-01-KD-U**



We are here to help!

We do our best to insure that your furniture arrives in excellent condition. In the event that a part is damaged or missing, Linon Home Decor will be happy to provide you with replacement parts, at no charge, within 30 days of purchase, providing the parts are available in our warehouse and the item purchased is part of our current inventory. In order to receive spare parts, at no charge, you must provide proof of purchase within 30 days.

If you need assistance with assembly or replacement parts, please call Linon Customer Service, prior to returning the item to the store.

Our office is open Monday – Friday 9AM – 5PM, Eastern Standard Time.

Our toll free customer service number is: 1-800-262-1852.

Or visit our web site www.Linon.com to order spare parts and for care instructions on your newly purchased furniture.

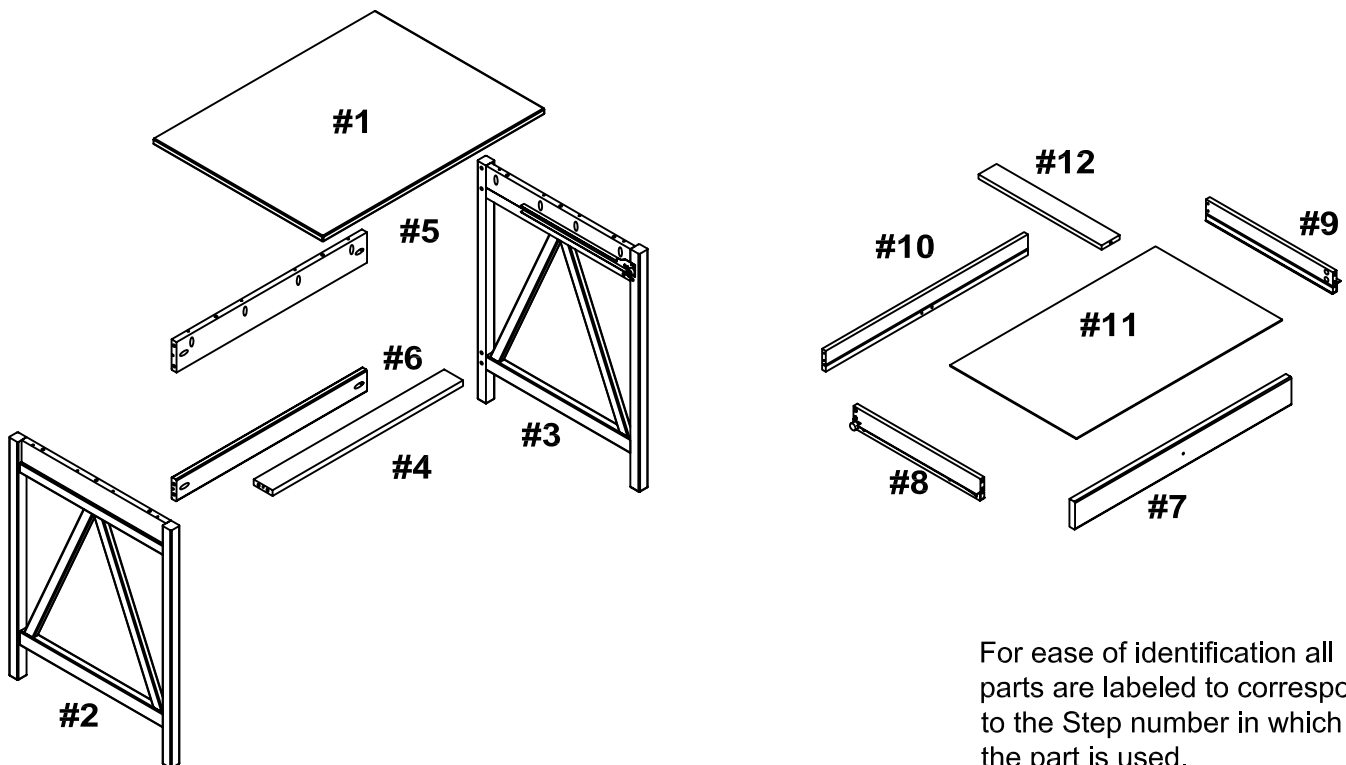
MADE IN CHINA
FOR LINON HOME DECOR PRODUCTS INC BY CH46



LINON HOME DECOR PRODUCTS, INC.

PARTS IDENTIFICATION

ITEM	DESCRIPTION	QTY
#1	TOP	01
#2	LEFT SIDE	01
#3	RIGHT SIDE	01
#4	MID RAIL	01
#5	BACK PANEL	01
#6	BACK PANEL	01
#7	DRAWER FRONT	01
#8	DRAWER LEFT SIDE	01
#9	DRAWER RIGHT SIDE	01
#10	DRAWER BACK	01
#11	DRAWER BOTTOM	01
#12	DRAWER BOTTOM RAIL	01



For ease of identification all parts are labeled to correspond to the Step number in which the part is used.

If any parts are missing or damaged in this package, Linon Home Decor will be happy to provide you with replacement parts, at no charge, within 30 days of purchase, providing the parts are available in our warehouse and the item purchased is part of our current inventory. In order to receive spare parts, at no charge, you must provide proof of purchase within 30 days.

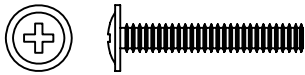

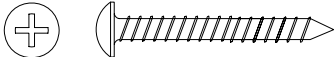
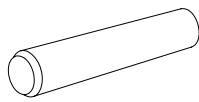
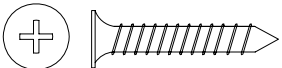
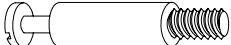
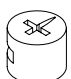
Call us toll free at 1-800-262-1852. Or visit our web site www.Linon.com to order spare parts and for care instructions on your newly purchased furniture.



LINON HOME DECOR PRODUCTS, INC.

HARDWARE IDENTIFICATION

Please line up the hardware with the correct full size image to make sure you are installing the hardware correctly.

ITEM	PICTURE	DESCRIPTION	QTY
A		(Ø4) Not to Scale	LARGE BOLT 01
B		Not to Scale	PULL 01
C		(Ø4x30mm) Full Size	SCREW 18
D		(Ø8x30mm) Full Size	WOOD DOWEL 20
E		(Ø3.5x25mm) Not to Scale	SCREW 06
F		Not to Scale	CAM BOLT 05
G		Not to Scale	CAM LOCK 05

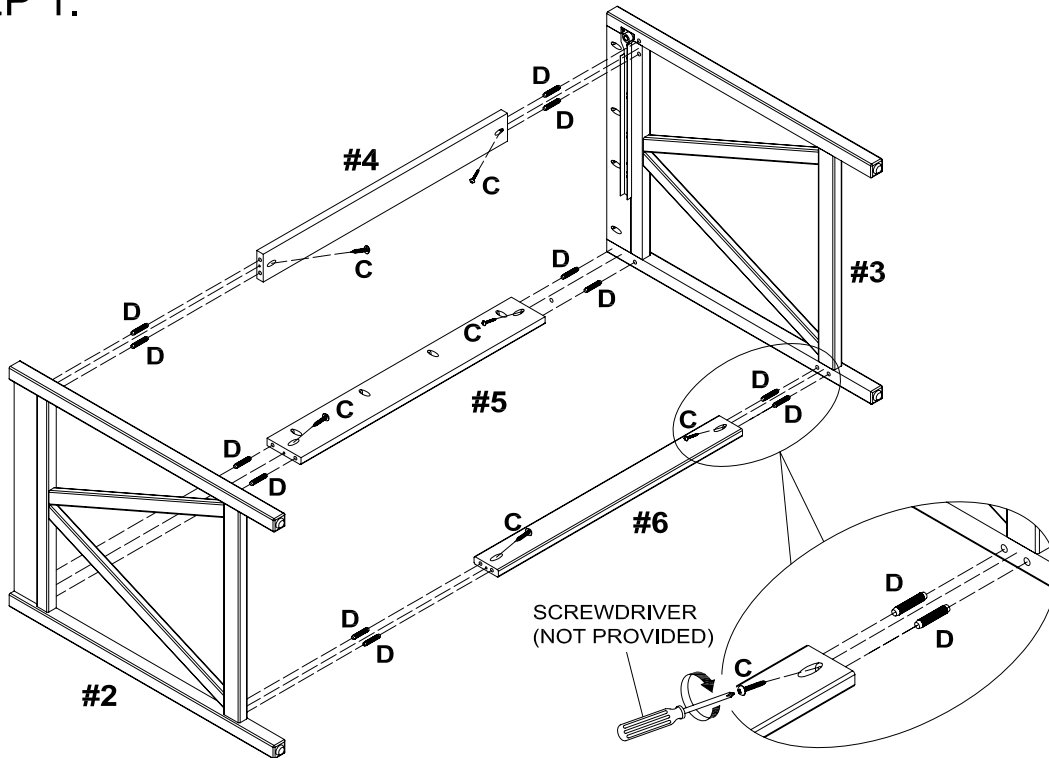
If any parts are missing or damaged in this package, Linon Home Decor will be happy to provide you with replacement parts, at no charge, within 30 days of purchase, providing the parts are available in our warehouse and the item purchased is part of our current inventory. In order to receive spare parts, at no charge, you must provide proof of purchase within 30 days.

Call us toll free at 1-800-262-1852. Or visit our web site www.Linon.com to order spare parts and for care instructions on your newly purchased furniture.

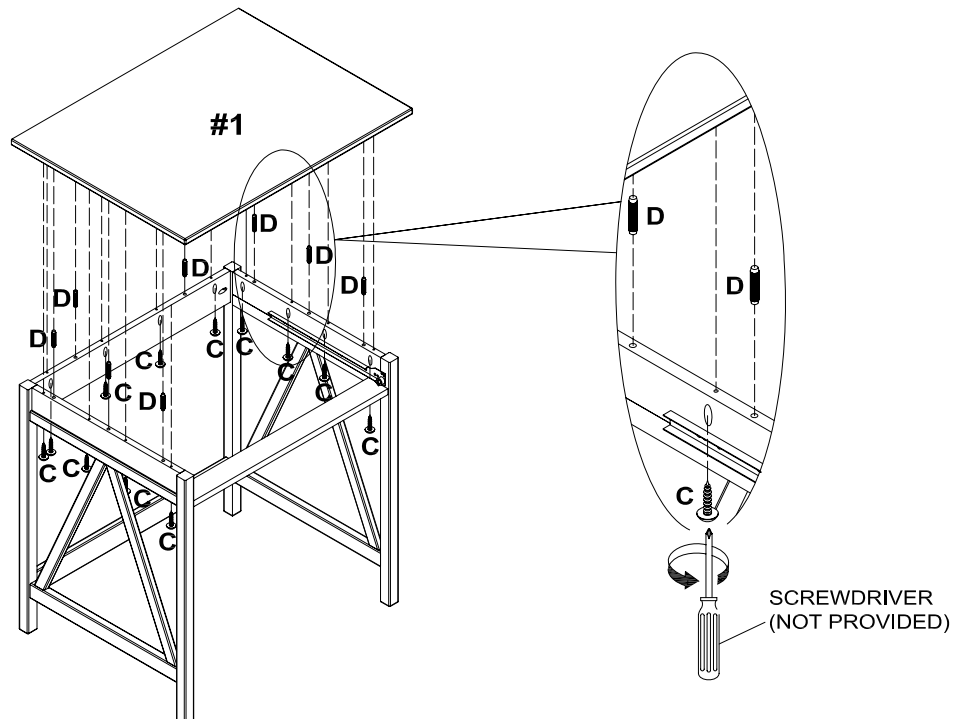


LINON HOME DECOR PRODUCTS, INC.

STEP 1.



STEP 2.



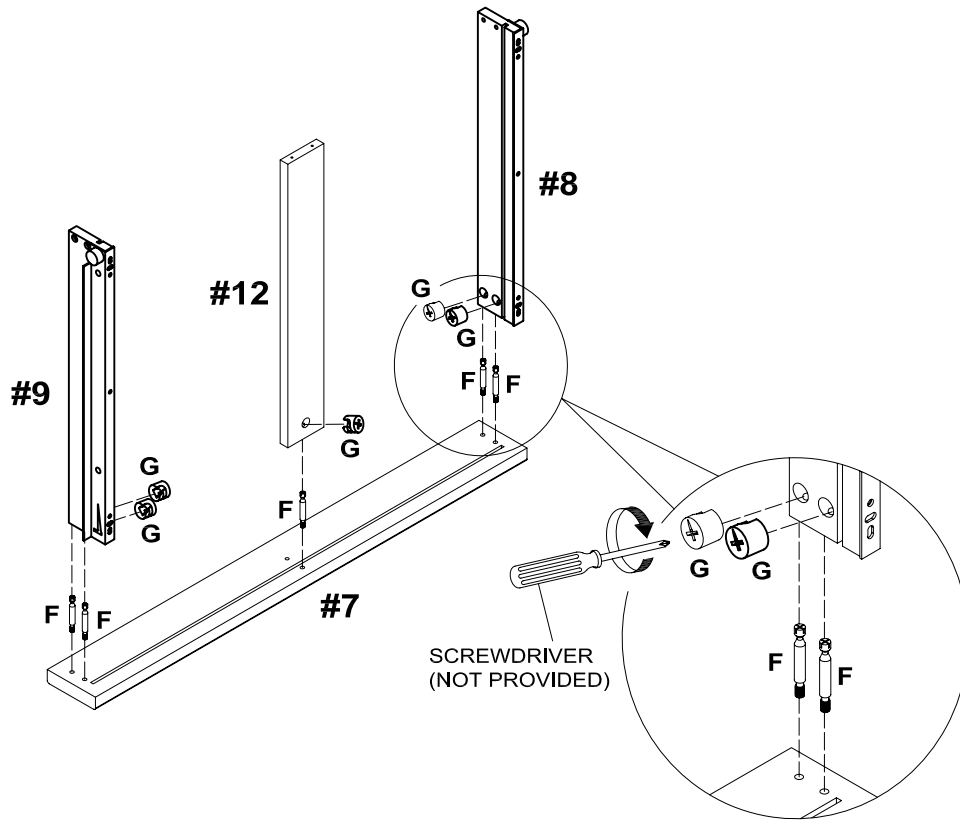
IMPORTANT:

1. DO NOT TIGHTEN BOLTS COMPLETELY UNTIL ALL BOLTS ARE COMPLETELY LINED UP AND INSERTED INTO HOLES / NUTS.
2. DO NOT OVER TIGHTEN SCREWS AND BOLTS TO AVOID STRIPPING.

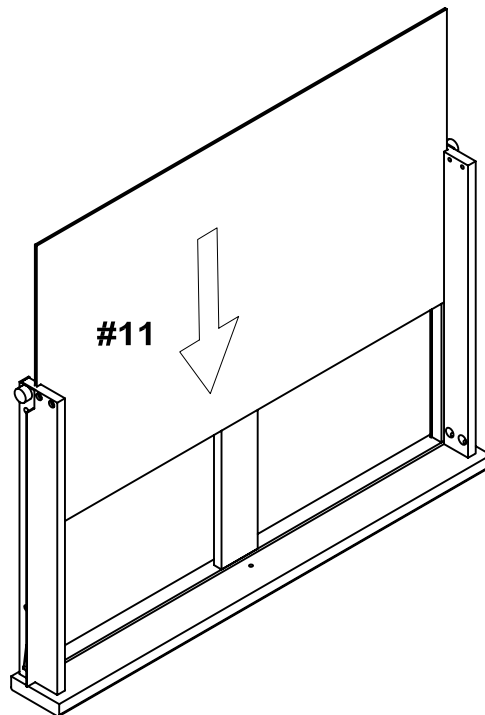


LINON HOME DECOR PRODUCTS, INC.

STEP 3.



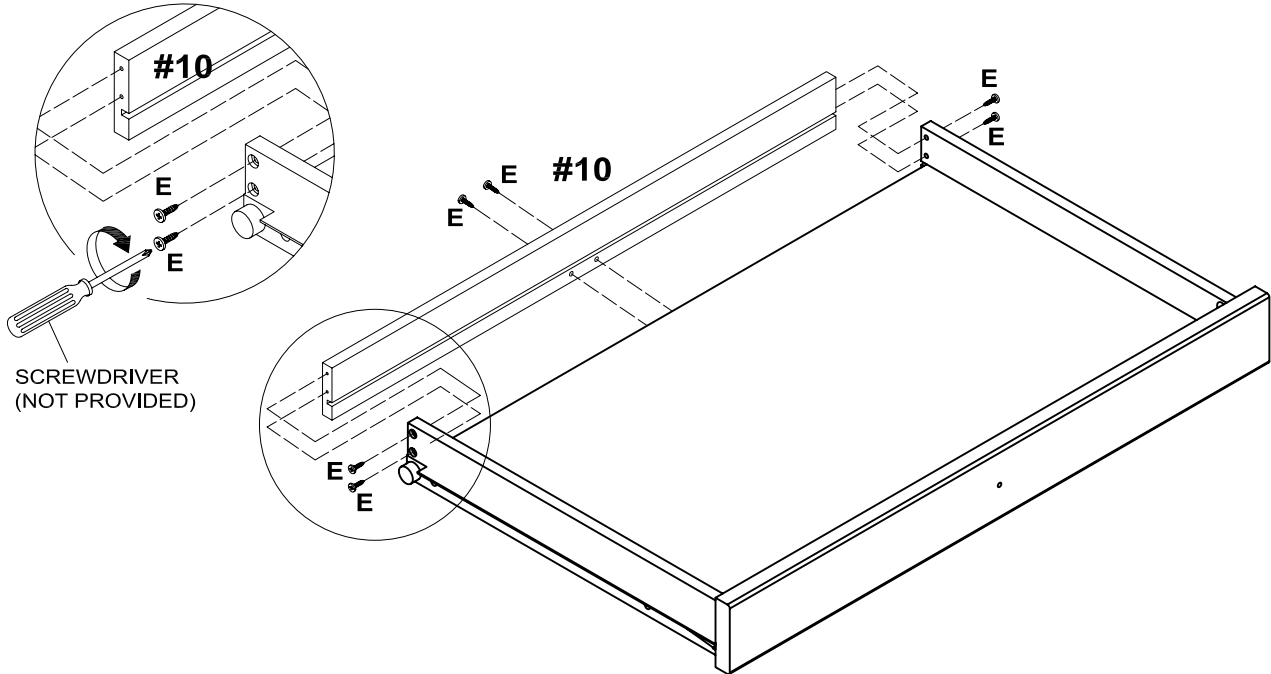
STEP 4.



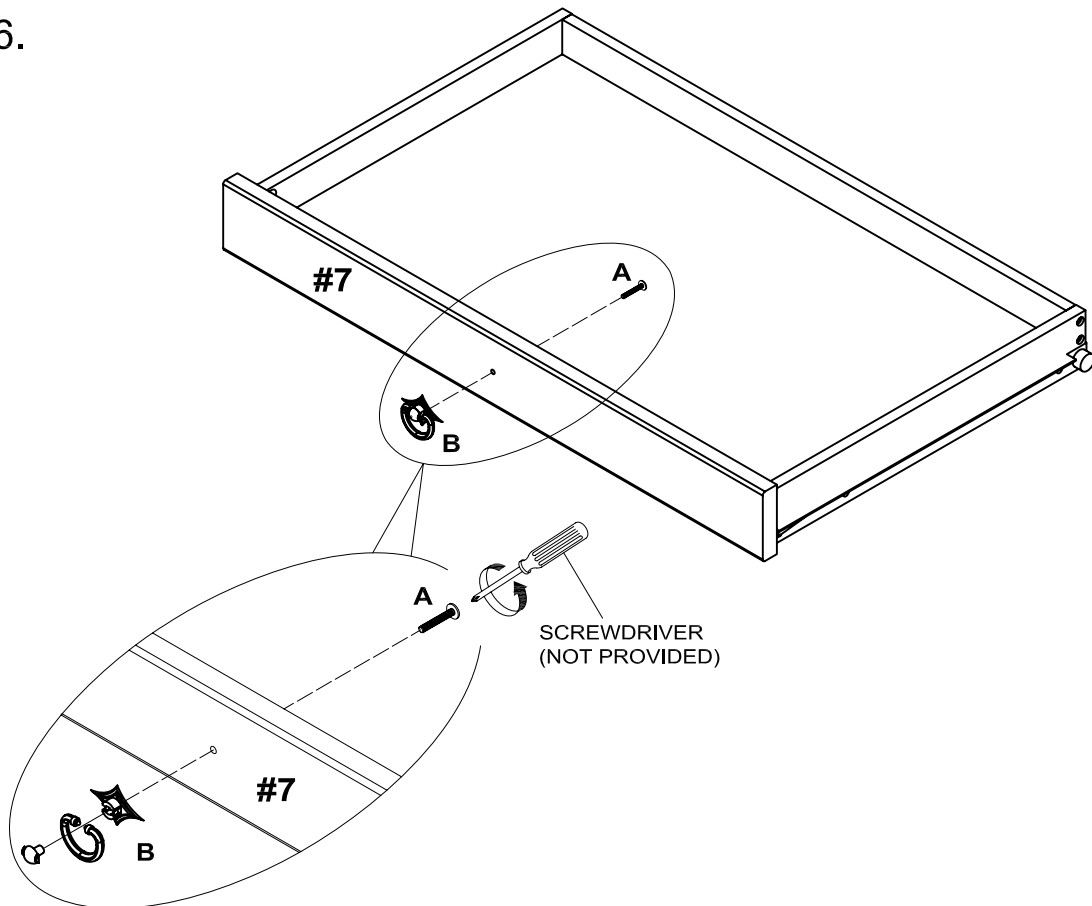


LINON HOME DECOR PRODUCTS, INC.

STEP 5.



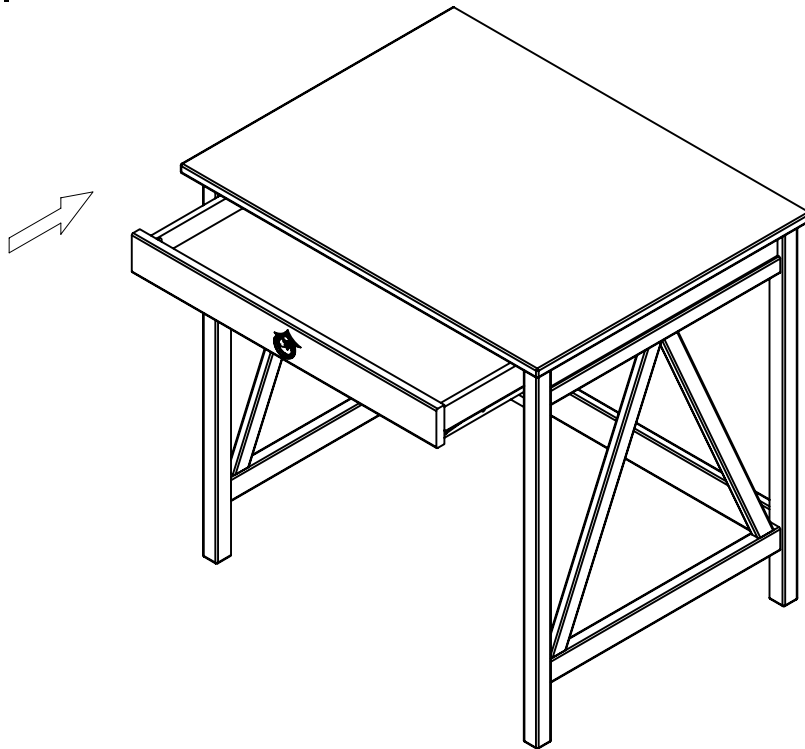
STEP 6.





LINON HOME DECOR PRODUCTS, INC.

STEP 7.



STEP 8.

