

LUMINOSO

LED LIGHTING



Luminoso HIGH-POWER LED Bulbs

The Luminoso High Power LED bulbs are an innovative product that provides an energy saving and eco-friendly solution. And environmentally friendly. Luminoso LLC is committed to its mission on going green by Replacing your traditional HPS / MHL / CFL / HID with new High Power LED bulbs. Luminoso's New High Power bulbs are upgraded with better materials and hardware for optimal performance.



Available wattages & CCT 3000K, 4000K, and 5000K



8W
920 lm



18W
2100 Lm



27W*
3500 Lm



36W*
4810 Lm



54W*
6850 Lm



80W
10,600 Lm



100W*
13,330 Lm



120W*
15,550 Lm

NOTE: Lumens at 5000K

E26 Base



8W



18W



27W*

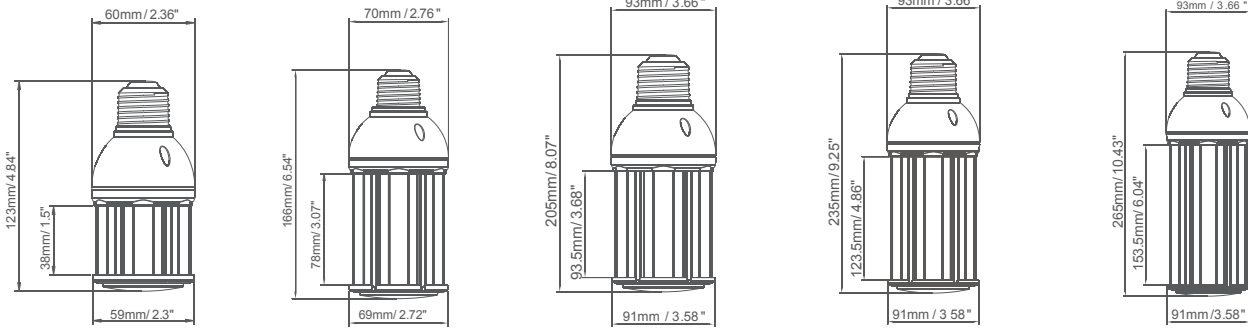


36W*



54W*

Dimensions



Ordering Information Guide



Catalog Number	Description	Watts	Volt	CRI	CCT	Initial Lumen	Base	Product Code
CB-04-8W-30K-A-Y	Corn Bulb	8	120-277	80	3000K	935	E26	57081
CB-04-8W-40K-A-Y	Corn Bulb	8	120-277	80	4000K	920	E26	57082
CB-04-8W-50K-A-Y	Corn Bulb	8	120-277	80	5000K	965	E26	57083
CB-04-18W-30K-A-Y	Corn Bulb	18	120-277	80	3000K	2030	E26	57181
CB-04-18W-40K-A-Y	Corn Bulb	18	120-277	80	4000K	2100	E26	57182
CB-04-18W-50K-A-Y	Corn Bulb	18	120-277	80	5000K	2325	E26	57183
CB-04-27W-30K-A-Y	Corn Bulb	27	120-277	80	3000K	3270	E26	57271
CB-04-27W-40K-A-Y	Corn Bulb	27	120-277	80	4000K	3250	E26	57272
CB-04-27W-50K-A-Y	Corn Bulb	27	120-277	80	5000K	3460	E26	57273
CB-04-36W-30K-A-Y	Corn Bulb	36	120-277	80	3000K	4320	E26	57361
CB-04-36W-40K-A-Y	Corn Bulb	36	120-277	80	4000K	4414	E26	57362
CB-04-36W-50K-A-Y	Corn Bulb	36	120-277	80	5000K	4495	E26	57363
CB-04-54W-30K-A-Y	Corn Bulb	54	120-277	80	3000K	6515	E26	57541
CB-04-54W-40K-A-Y	Corn Bulb	54	120-277	80	4000K	6750	E26	57542
CB-04-54W-50K-A-Y	Corn Bulb	54	120-277	80	5000K	6855	E26	57543

HIGH POWER LED Bulbs

E39 Base



36W*



54W*



80W

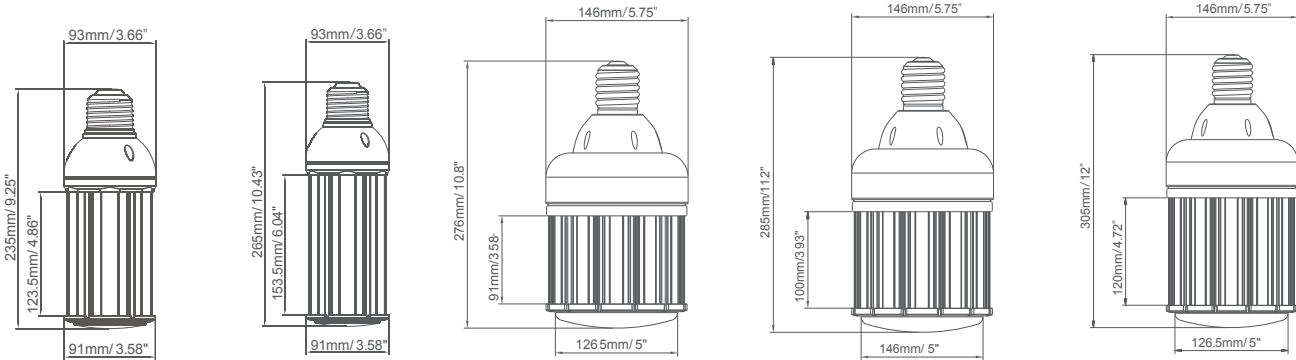


100W*



120W*

Dimensions



Ordering Information Guide

Catalog Number	Description	Watts	Volt	CRI	CCT	Initial Lumen	Base	Product Code
CB-05-36W-30K-A-Y	Corn Bulb	36	120-277	80	3000K	4320	E39	57366
CB-05-36W-40K-A-Y	Corn Bulb	36	120-277	80	4000K	4414	E39	57367
CB-05-36W-50K-A-Y	Corn Bulb	36	120-277	80	5000K	4495	E39	57368
CB-05-54W-30K-A-Y	Corn Bulb	54	120-277	80	3000K	6515	E39	57546
CB-05-54W-40K-A-Y	Corn Bulb	54	120-277	80	4000K	6750	E39	57547
CB-05-54W-50K-A-Y	Corn Bulb	54	120-277	80	5000K	6855	E39	57548
CB-05-80W-30K-A-Y	Corn Bulb	80	120-277	80	3000K	9625	E39	57806
CB-05-80W-40K-A-Y	Corn Bulb	80	120-277	80	4000K	9200	E39	57807
CB-05-80W-50K-A-Y	Corn Bulb	80	120-277	80	5000K	10,130	E39	57808
CB-05-100W-30K-A-Y	Corn Bulb	100	120-277	80	3000K	12,025	E39	57006
CB-05-100W-40K-A-Y	Corn Bulb	100	120-277	80	4000K	12,230	E39	57007
CB-05-100W-50K-A-Y	Corn Bulb	100	120-277	80	5000K	12,660	E39	57008
CB-05-120W-30K-A-Y	Corn Bulb	120	120-277	80	3000K	14,270	E39	57026
CB-05-120W-40K-A-Y	Corn Bulb	120	120-277	80	4000K	14,570	E39	57027
CB-05-120W-50K-A-Y	Corn Bulb	120	120-277	80	5000K	15,020	E39	57028

Luminoso High Power LED replaces traditional light bulbs

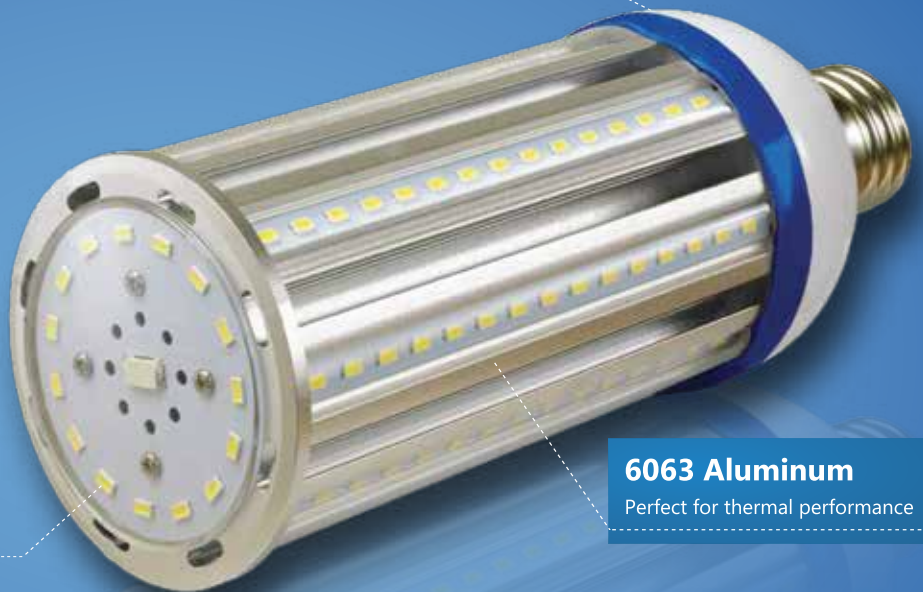
High Power LED	High Pressure Sodium	Metal Halide Lamps	High Intensity Discharge	Compact Fluorescent Lamp	Incandescent Lamp
8W	30W	30W	30W	25W	80W
18W	60W	60W	60W	55W	200W
27W	90W	90W	60W	100W	270W
36W	120W	120W	120W	120W	360W
54W	200W	200W	200W	180W	540W
80W	300W	300W	300W	200W	800W
100W	350W	350W	350W	250W	1000W
120W	400W	400W	400W	300W	1200W



- High Lumen Omni-directional LED for Industrial / Commercial applications
- Replaces HID, CFL, and Incandescent
- Ballast by-pass - Direct wire only 100V - 277V
- UL approved for totally enclosed fixtures
- Damp location - IP64 rated
- Base up, base down or horizontal operation
- Emits no UV light / Contains no mercury (Hg)
- 5 year limited warranty
- cULus listed

Flame Retardant Polymer

Working temp. -40°F - +113°F



Samsung S4 LED

Reaching 135 Lm/W

6063 Aluminum

Perfect for thermal performance