



LED EP38-2000ew

Part #: EBP38DM/B/17W/1200/40D/30K/E26/EW Bulb Class: PAR38



Product Description

LED EP38-2000ew delivers superior brightness, valuable energy savings, long lasting performance and true color perception. This flood PAR38 LED bulb is ideal for task lighting due to its uniform yet focal *soft white light (3000K) replacing conventional 100 Watt incandescent bulbs. Built-in MCOB LED Technology offers exceptional light uniformity, energy efficiency, and optimal heat dissipation guaranteeing durability and constant bulb performance. Enjoy features such as: instant on, dimming options, shatter resistance, mercury free and 90+ CRI.



Estimated Energy Cost: \$2.04 per year



MCOB
LED TECHNOLOGY

100W
REPLACEMENT

*Note: Design, features and specifications subject to change without notice. Some features may not be available on all models. For more information regarding dimmer compatibility please visit: www.eurilighting.com or call 1-888-743-5766

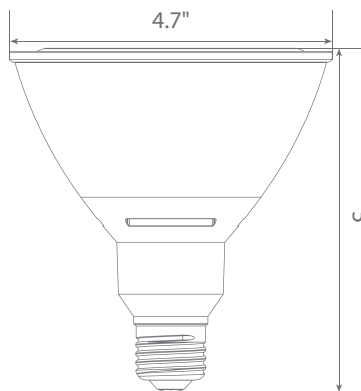
Specifications

Input Power	Input Voltage	Lumen Output	Beam Angle	Center Beam	CCT
17 W	120 V	1200 lm	40°	1938 cd	3000 K
CRI	Luminous Efficacy	Power Factor	Input Current	Base/Cap	Lamp Lifespan
91	70 lm/W	0.9	0.1 A	E26	40,000 Hrs.

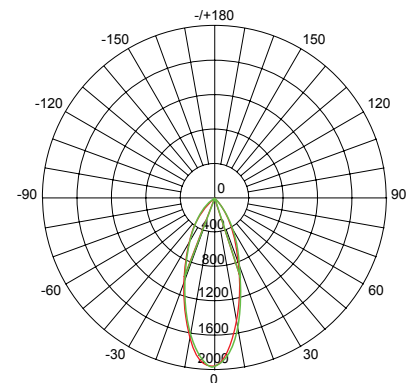
Product Features

- Dimmable
- Instant-On/Off
- Mercury Free
- Wet Rated

Product Dimensions



Product Photometric Data



Euri Lighting | A Division of IRTRONIX Inc.

20900 Normandie Avenue Bldg. B, Torrance, CA 90502 | Tel: 888.743.5766 | Fax: 310.787.1166 | www.eurilighting.com
©2017 Euri Lighting. All Rights Reserved