



LED EPN22-2040S-2

Class: LED Panel 2 ft. x 2 ft. Class



Product Description

LED EPN22-2040S-2 thoughtfully designed for superior illumination, ultimate efficiency, and easy installation, this 2x2 LED panel offers a larger driver for more space when wiring and a sturdy concave-convex backplate for no light leakage. Double-sided welding provides a seamless, polished frame and PMMA material guarantees perfect light output without the risk of yellowing. Available in flicker-free Bright White (4000K), this retrofit LED panel delivers 3750 lumens with just 30 watts. Look for EPN22-2050S-2 for Cool White (5000K) or EPN24-2040S-2 for 2x4 size.



Estimated Energy Cost: \$3.61 per year

*Note: Design, features and specifications subject to change without notice. Some features may not be available on all models. For more information please visit: www.eurilighting.com or call 1-888-743-5766

Available only as a twin-pack.
(EPN22-2040S-2 contains 2 LED Panels.)

Specifications

Input Power	Input Voltage	Lumen Output	Beam Angle	Center Beam	CCT
30 W	AC100-277V	3750 lm	120°	N/A	4000 K
CRI	Luminous Efficacy	Power Factor	Input Current	Base/Cap	Lamp Lifespan
80	125 lm/W	0.9	0.75 A	NA	50,000 Hrs.

Product Features



Dimmable



Instant-On/Off

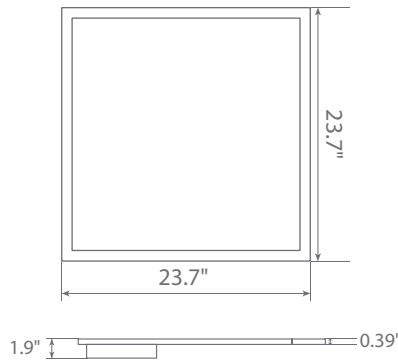


Mercury Free

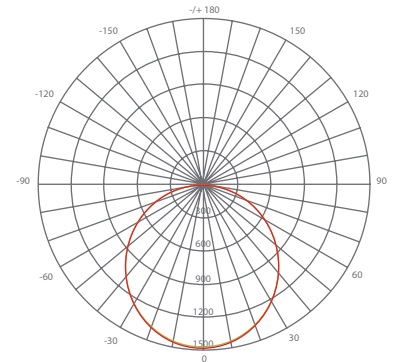


Damp Rated

Product Dimensions



Product Photometric Data



Euri Lighting | A Division of **IRTRONIX** Inc.

20900 Normandie Avenue Bldg. B, Torrance, CA 90502 | Tel: 888.743.5766 | Fax: 310.787.1166 | www.eurilighting.com
©2018 Euri Lighting. All Rights Reserved