

Project:	
Types:	
Model#	

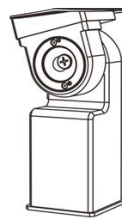
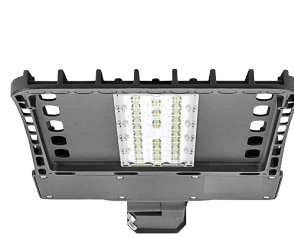
GLX 100W Series LED Area Light

PRODUCT DESCRIPTION

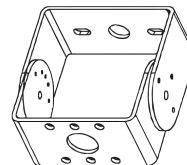
The Luminoso GLX series combines modern styling with the latest LED technology. It is available in a wide variety of wattages ranging from 60 to 300 watts and either 4000K or 5000K. The versatile lumen packages make this product ideal for nearly any exterior lighting application. With up to 70% energy savings over its traditional counterparts the GLX presents the future of area lighting.

PERFORMANCE SUMMARY

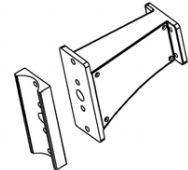
Efficacy: 111 Lm/W
Delivered Light Output: 11,166 Lumens
Input Power: 100 Watts
CRI: Ra>80
CCT: 4000K / 5000K
Input Voltage: 120-277 / 347- 480 VAC**
Power Factor: >0.95 (120V)
Frequency: 50/60Hz
Standard Warranty: 5 Years
Standard Lifetime: Designed to L70 minimum 50,000 hours
Mounting: Slip Fitter / Direct Pole Mount / Tenon Mount
IP Rating: IP65 / Wet Rated
Die-cast aluminum housing
National listing lab tested with IES standards
Dimmable: 0-10V Dimming Capabilities
7 Pin Nema Receptacle



Slip fitter



Trunnion



Arm

ORDER INFORMATION

EXAMPLE: GLX-100W-Y-50K-3M-22-BZ-PC



Series	Wattage	Voltage	CCT	Optics	Mount	Finish	Control
GLX	100W	Y=120-277V HV=347-480V**	40K = 4000K 50K = 5000K	2M** 3M 5M	16=Slip fitter 21=Arm** 22=Trunnion**	BZ=Dark Bronze WH=White**	Blank = Shorting Cap PC = 120-277V Photocell

Enter configuration:

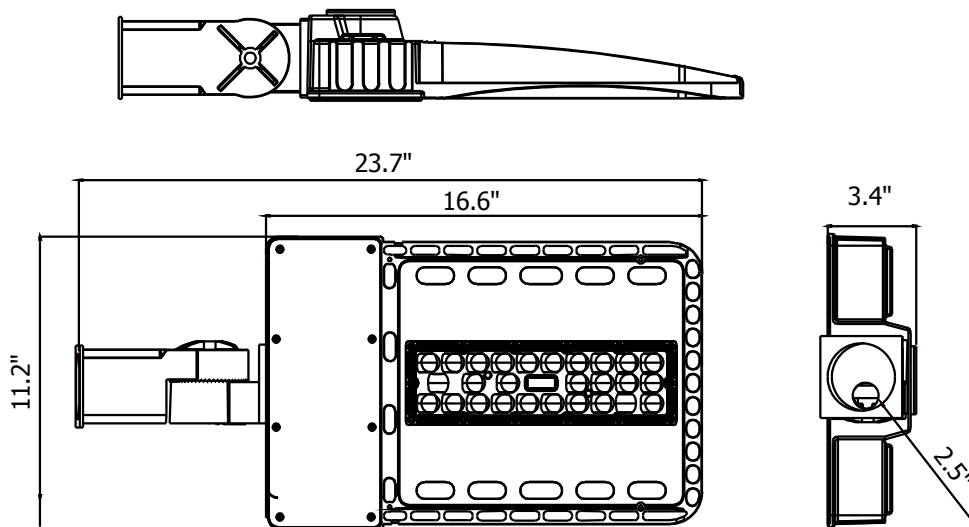
** Special Order / contact vendor

GLX-100W			
Power	100W	LED Brightness Decay	<5%/6000 hrs
Input Voltage	AC120-277V 60Hz	Working Life	>50,000 hrs
PF	>0.95	Working Temperature	-22°F ~ 113°F
Driver Efficiency	>90%	Storage Temperature	-40°F ~ 176°F
Luminous Flux	11,166 Lm	Weight	9.2 lb
Color Temperature	3000K/4000K/5000K	IK	IK09
CRI	Ra>80	EPA	0.48-0.59 sq.ft
Lighting Angle	Type II, Type III, Type Vs	Cable	3 core,18AWG

**** Special Order**

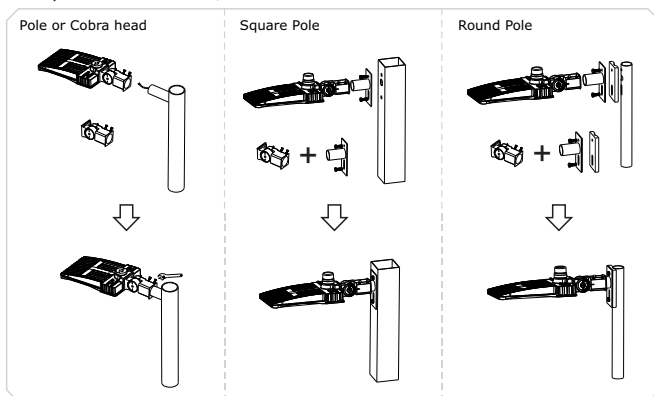
**** 347-480V AC Available**

Dimensions

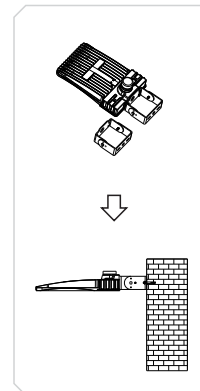


Mounting Options & Dimensions: Slip fitter / Trunnion Mount / Arm

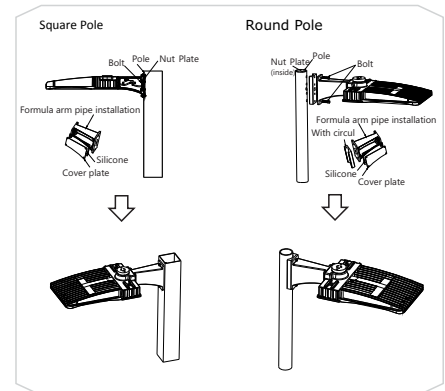
• Slip Fitter EPA:0.55 sq.ft



• Trunnion EPA:0.48 sq.ft

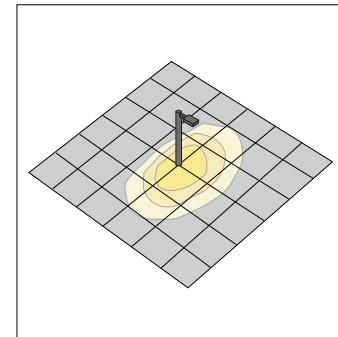
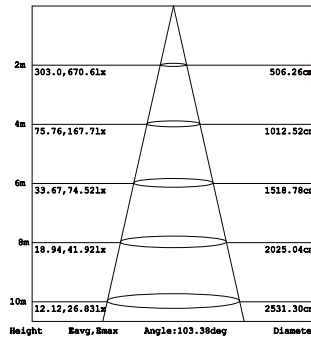
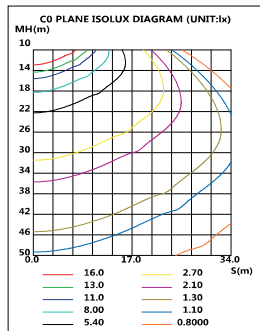
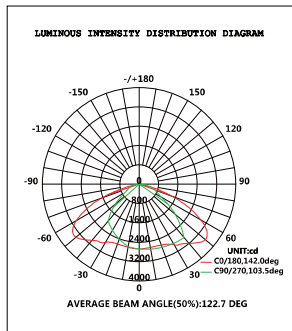


• Arm EPA:0.59 sq.ft

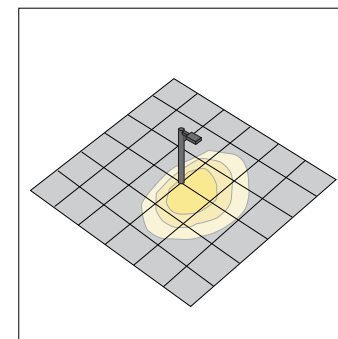
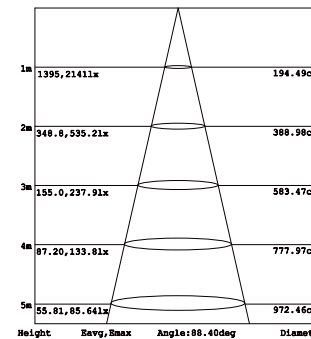
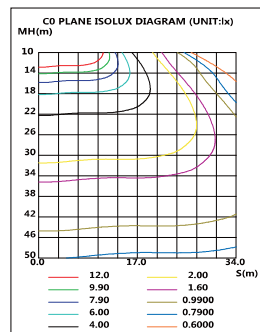
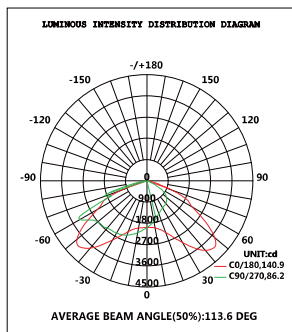


Photometry - All published luminaire photometric testing performed to IESNA LM-79-08 standards by a NVLAP accredited laboratory.

• Type II



• Type III



• Type Vs

