



Project: _____
 Location: _____
 Cat. #: _____
 Type: _____
 Quantity: _____

LED

PBL LED High Bay

Features:

- High performance LED technology
- 0-10V dimming drivers standard on all models except PBL 4W HI UV
- Field replaceable LED boards and drivers
- Frosted diffusers available to help minimize glare and improve aesthetics
- A wide variety of lumen packages allows for flexibility in design and helps maximize energy savings

Applications:

Suitable for most commercial, industrial and institutional applications

- Retail
- Warehouse
- Manufacturing
- Cold/Frozen Storage

Ambient Operating Temp:

- -30°C to 40°C

Predicted L70 Lifetime:

- 92,000 to 146,000 hrs (calculated)
- >72,000 hrs (reported)
(based on LM-80, TM-21 and in-situ laboratory testing)

Construction:

- Housing and LED tray is precision brake formed from aluminum
- Pre-painted with a highly durable, highly reflective white finish

Certifications:

- UL 1598 listed for US and Canada, suitable for damp locations
- DesignLights Consortium qualified on specific configurations (refer to DLC qualified products list for exact model numbers) <http://designlights.org/>

Warranty:

- 5 year limited system warranty
- see www.LumenFocus.com for complete warranty terms and conditions
- 10 year extended warranty available on specific models
(Not available on all models. Certain conditions apply. Consult factory or sales representative for details.)

10 YEAR
 EXTENDED
 WARRANTY
AVAILABLE ON
 CERTAIN MODELS



Powered by:



PBL LED High Bay



Ordering Guide:

example: PBL 4 HI UV 850-QC20 C6 OSD

Series	Length	Output	Performance	Voltage	Shielding	CRI/CCT	Hanging	Options	Finish
PBL									
PBL	2	LW MD	Blank HE	UV 34 48	Blank FR	835 840 850	Blank QC QC20 SM	Blank EXT10 C6 C10 D6 D10 P(NEMA) OS OSD OS(FSP-211B-Lx) OS(FSP-221B-Lx) OSP PC WG WG(OS) SC F EM2 SDT(480V) CC BAA	Blank BK SL
	2W	MH HI							
	4	SL VL LW MD HI							
	4W	LW MD HI VH							

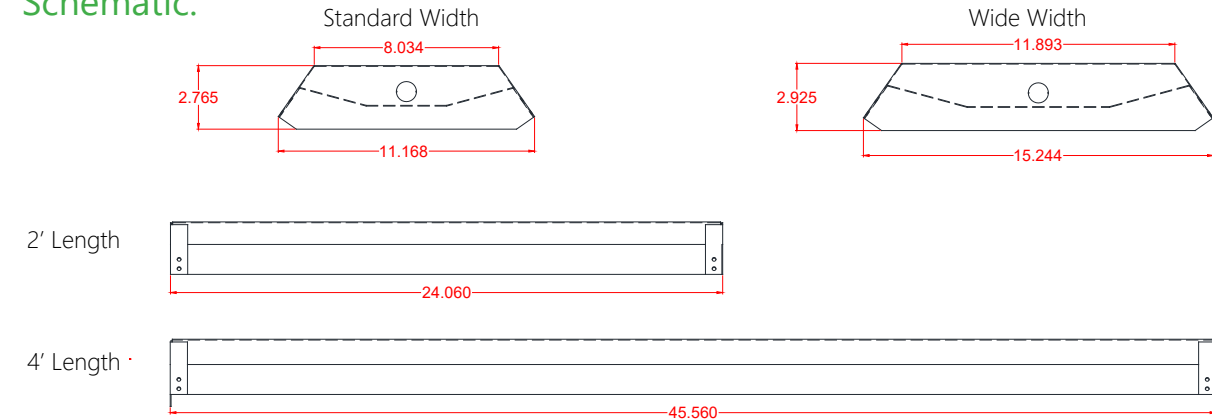
Length:	2 2W 4 4W	2' 2'-Wide 4' 4'-Wide	Options:	Blank EXT10	None 10 yr extended warranty (Not available on all models. Certain conditions apply. Consult factory or sales representative for details.) 6' Single Circuit Cord 10' Single Circuit Cord 6' Dual Circuit Cord 10' Dual Circuit Cord Plug (Specify NEMA configuration) Occupancy Sensor (on/off) Occupancy Sensor (on/off/dim) Wattstopper Occupancy Sensor (on/off/dim) for 120/277V (*x" = lens type. See Page 4 for lens type descriptions) Wattstopper Occupancy Sensor (on/off/dim) for 100-347V, or 208/230/480V (*x" = lens type. See Page 4 for lens type descriptions) Occupancy Sensor with Photocell Photocell Wire Guard Extended Wire Guard to protect end mounted sensor Safety Cable Fuse Emergency Pack - up to 16W (120-277V / 0°C-50°C ambient) 480V to 277V Step Down Transformer Conformal Coating Buy American Act compliant
Lumen Output:	SL VL LW MD MH HI VH	Super Low Very Low Low Medium Medium High High Very High (Not available in HE)		C6 C10 D6 D10 P(NEMA) OS OSD OS(FSP-211B-Lx)	
Performance:	Blank HE	Standard High Efficiency (Not available in VH output)		OS(FSP-221B-Lx)	
Voltage:	UV 34 48	120-277V 347V* 480V*		OSP PC WG WGE	
Shielding:	Blank FR	None Frosted Acrylic		SC F EM2	
CRI/CCT:	835 840 850	80 CRI / 3500K 80 CRI / 4000K 80 CRI / 5000K		SDT(480V) CC BAA	
Hanging:	Blank QC QC20 SM	None 10' Quick Hang Cable Kit 20' Quick Hang Cable Kit Surface Mount	Finish:	Blank BK SL	White Matte black Metallic silver

*PBL 2W MH, PBL 2W MH HE, PBL 4 VL, PBL 4 VL HE currently only available in 120-277V, or with step-down transformer in an application where 347V-480V is needed.

PBL LED High Bay



Schematic:



Performance Chart:

Catalog #	Lumens	Watts	LPW	Catalog #	Lumens	Watts	LPW	Catalog #	Lumens	Watts	LPW
PBL 2 LW HE UV 835	8805	67	131.4	PBL 2 LW HE UV 840	9096	67	135.8	PBL 2 LW HE UV 850	9369	67	139.8
PBL 2 MD HE UV 835	11553	85	135.9	PBL 2 MD HE UV 840	11934	85	140.4	PBL 2 MD HE UV 850	12292	85	144.6
PBL 2W MH HE UV 835	13766	100	137.7	PBL 2W MH HE UV 840	14221	100	142.2	PBL 2W MH HE UV 850	14648	100	146.5
PBL 2W HI HE UV 835	16938	119	142.3	PBL 2W HI HE UV 840	17498	119	147.0	PBL 2W HI HE UV 850	18023	119	151.5
PBL 4 SL HE UV 835	12018	84	143.1	PBL 4 SL HE UV 840	12416	84	147.8	PBL 4 SL HE UV 850	12788	84	152.2
PBL 4 VL HE UV 835	13905	100	139.1	PBL 4 VL HE UV 840	14365	100	143.7	PBL 4 VL HE UV 850	14796	100	148.0
PBL 4 LW HE UV 835	15913	118	134.9	PBL 4 LW HE UV 840	16439	118	139.3	PBL 4 LW HE UV 850	16932	118	143.5
PBL 4 MD HE UV 835	19697	140	140.7	PBL 4 MD HE UV 840	20349	140	145.3	PBL 4 MD HE UV 850	20959	140	149.7
PBL 4 HI HE UV 835	23543	174	135.3	PBL 4 HI HE UV 840	24322	174	139.8	PBL 4 HI HE UV 850	25051	174	144.0
PBL 4W LW HE UV 835	28006	190	147.4	PBL 4W LW HE UV 840	28932	190	152.3	PBL 4W LW HE UV 850	29800	190	156.8
PBL 4W MD HE UV 835	34578	250	138.3	PBL 4W MD HE UV 840	35721	250	142.9	PBL 4W MD HE UV 850	36792	250	147.2
PBL 4W HI HE UV 835	39262	285	137.8	PBL 4W HI HE UV 840	40560	285	142.3	PBL 4W HI HE UV 850	41777	285	146.6
PBL 2 LW UV 835	9041	72	125.1	PBL 2 LW UV 840	9340	72	129.2	PBL 2 LW UV 850	9620	72	133.1
PBL 2 MD UV 835	11422	87	131.3	PBL 2 MD UV 840	11799	87	135.6	PBL 2 MD UV 850	12153	87	139.7
PBL 2W MH UV 835	13432	104	129.2	PBL 2W MH UV 840	13876	104	133.4	PBL 2W MH UV 850	14292	104	137.4
PBL 2W HI UV 835	17053	130	131.0	PBL 2W HI UV 840	17616	130	135.3	PBL 2W HI UV 850	18145	130	139.4
PBL 4 SL UV 835	11998	86	139.5	PBL 4 SL UV 840	12394	86	144.1	PBL 4 SL UV 850	12766	86	148.4
PBL 4 VL UV 835	13982	104	134.4	PBL 4 VL UV 840	14444	104	138.9	PBL 4 VL UV 850	14877	104	143.1
PBL 4 LW UV 835	17193	136	126.4	PBL 4 LW UV 840	17761	136	130.6	PBL 4 LW UV 850	18294	136	134.5
PBL 4 MD UV 835	20866	155	134.6	PBL 4 MD UV 840	21556	155	139.1	PBL 4 MD UV 850	22203	155	143.2
PBL 4 HI UV 835	22943	174	131.9	PBL 4 HI UV 840	23701	174	136.2	PBL 4 HI UV 850	24412	174	140.3
PBL 4W LW UV 835	29029	210	138.2	PBL 4W LW UV 840	29988	210	142.8	PBL 4W LW UV 850	30888	210	147.1
PBL 4W MD UV 835	35439	270	131.3	PBL 4W MD UV 840	36611	270	135.6	PBL 4W MD UV 850	37709	270	139.7
PBL 4W HI UV 835	38970	305	127.9	PBL 4W HI UV 840	40258	305	132.1	PBL 4W HI UV 850	41466	305	136.0
PBL 4W VH UV 835	48676	374	130.2	PBL 4W VH UV 840	50285	374	134.5	PBL 4W VH UV 850	51794	374	138.5

Lumen Adjustment Factors:
FR lens: 0.93
WG: 0.90
FR w/ WG: 0.85

PBL LED High Bay



Controls available:



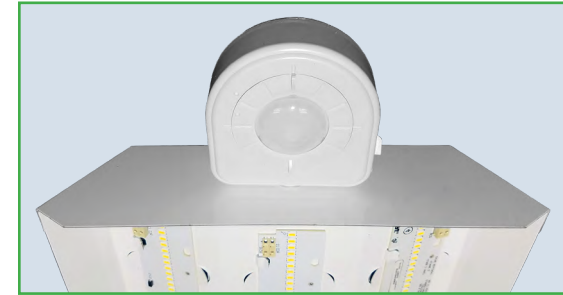
FSP-211B with L7 lens



FSIR-100

Dimming Sensors OS(FSP-211B/221B)

- The Wattstopper FSP sensor provides multi-level control based on motion and/or daylight contribution
- Comes pre-installed on the end cap
- Rated for cold locations
- Parameters adjustable via wireless configuration tool (FSIR-100 - sold separately)
- Three lenses available, tailored for the ideal detection area and mounting height:
 - FSP-L2:** 360° lens, maximum coverage 48', diameter from 8' height
 - FSP-L3:** 360° lens, maximum coverage 40', diameter from 20' height
 - FSP-L7:** 360° lens, maximum coverage 100', diameter from 40' height



On/Off Occupancy Sensors (OS)

An optional occupancy sensor controls individual fixtures on or off based on occupancy in detection zone. Sensor used: Leviton OSFHU-ITW (pictured), or an equivalent.

Occupancy Sensors with Photocell (OSP)

The OSP turns luminaire on or off based on occupancy or available natural light to help maximize energy savings. OSP used: Leviton OSFHP (pictured) or an equivalent.



Need another option?

If you need a different control system - such as Nedap, Daintree, or another IoT-based system - just contact us. We can incorporate it.

Advanced Controls Available

We offer robust network control options and IoT compatibility with products from Magnum Energy Solutions and Leviton. Contact the factory for more info.

Other Options:



Cords are available in single circuit or dual circuit, 6' or 10'. Standard plug is optional, as are other NEMA configurations if specified.



Shielding Frosted acrylic diffuser lenses minimize glare and improve aesthetics.



Conformal coating Grants LED boards added protection from moisture and corrosion in more hazardous environments.



Hanging The QC hanging kit from ALP comes in 10' or 20'. Cables are pre-looped for easy installation and designed for easy fixture height adjustment. QCs come boxed with each fixture.

PBL LED High Bay



Photometric Data:

PBL 2W HI UV 835

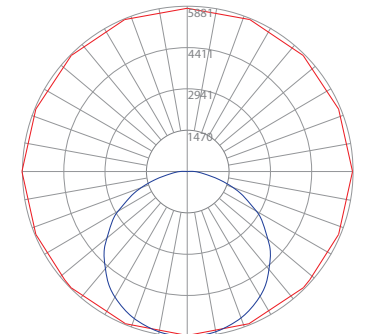
Test No.: LLIA000621-001
Luminaire Lumens: 17,053 lm
Luminaire Watts: 130.2W
Efficacy: 131.0 LPW
Spacing Criterion (0-180): 1.32
Spacing Criterion (90-270): 1.28

Luminaire Data (cd/sq.m)

Angle In Degrees	Average 0-Deg	Average 45-Deg	Average 90-Deg
45	25441	24725	24763
55	24834	24268	24498
65	23361	23138	21381
75	19268	14947	16254
85	9579	6721	7667

Coefficients Of Utilization - Zonal Cavity Method Effective Floor Cavity Reflectance 0.20

RC	80				70				50				30			
RW	70	50	30	10	70	50	30	10	50	30	10	50	30	10		
0	119	119	119	119	116	116	116	116	111	111	111	106	106	106		
1	109	104	100	96	106	102	98	95	98	95	92	94	91	89		
2	99	91	84	78	96	89	83	77	85	80	76	82	78	74		
3	90	80	71	65	88	78	70	64	75	69	63	72	67	62		
4	82	70	62	55	80	69	61	54	67	59	54	64	58	53		
5	76	63	54	47	74	62	53	47	60	52	46	58	51	46		
6	70	56	47	41	68	55	47	41	54	46	40	52	45	40		
7	65	51	42	36	63	50	42	36	49	41	36	47	40	35		
8	60	47	38	32	59	46	38	32	45	37	32	43	37	32		
9	56	43	34	29	55	42	34	29	41	34	29	40	33	28		
10	53	39	31	26	51	39	31	26	38	31	26	37	30	26		



— Vert. Plane
— Horiz. Cone

Zonal Lumen Summary

Zone	Lumens	%Fixt
0-20	2136.96	12.50
0-30	4565.59	26.80
0-40	7540.00	44.20
0-60	13587.73	79.70
0-80	16853.12	98.80
0-90	17053.36	100.00
90-120	0.00	0.00
90-130	0.00	0.00
90-150	0.00	0.00
90-180	0.00	0.00
0-180	17053.36	100.00

Tested in accordance with IES standards utilizing absolute photometry per LM-79-08

PBL 4W HI UV 835

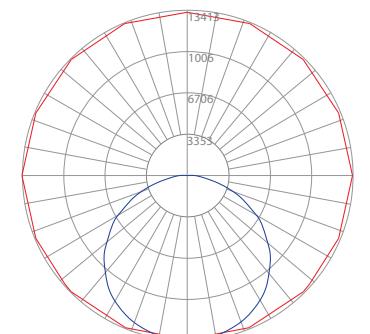
Test No.: LLIA000621-005
Luminaire Lumens: 38,970 lm
Luminaire Watts: 304.8W
Efficacy: 127.9 LPW
Spacing Criterion (0-180): 1.32
Spacing Criterion (90-270): 1.28

Luminaire Data (cd/sq.m)

Angle In Degrees	Average 0-Deg	Average 45-Deg	Average 90-Deg
45	29902	29118	29079
55	29470	28697	28730
65	27975	27414	25197
75	23601	17693	19047
85	12723	7585	8557

Coefficients Of Utilization - Zonal Cavity Method Effective Floor Cavity Reflectance 0.20

RC	80				70				50				30			
RW	70	50	30	10	70	50	30	10	50	30	10	50	30	10		
0	119	119	119	119	116	116	116	116	111	111	111	106	106	106		
1	109	104	100	96	106	102	98	95	98	95	92	94	91	89		
2	99	91	84	78	96	89	83	77	85	80	76	82	78	74		
3	90	80	71	65	88	78	70	64	75	69	63	72	67	62		
4	82	70	62	55	80	69	61	54	67	59	54	64	58	53		
5	76	63	54	47	74	62	53	47	59	52	46	57	51	46		
6	70	56	47	41	68	55	47	41	54	46	40	52	45	40		
7	65	51	42	36	63	50	42	36	49	41	36	47	40	35		
8	60	47	38	32	59	46	38	32	44	37	32	43	36	32		
9	56	43	34	29	55	42	34	29	41	34	29	40	33	28		
10	53	39	31	26	51	39	31	26	38	31	26	37	30	26		



— Vert. Plane
— Horiz. Cone

Zonal Lumen Summary

Zone	Lumens	%Fixt
0-20	4871.84	12.50
0-30	10408.51	26.70
0-40	17189.85	44.10
0-60	31004.31	79.60
0-80	38509.13	98.80
0-90	38969.80	100.00
90-120	0.00	0.00
90-130	0.00	0.00
90-150	0.00	0.00
90-180	0.00	0.00
0-180	38969.80	100.00

Tested in accordance with IES standards utilizing absolute photometry per LM-79-08