

LED ECB16W-1150



Part #: ECB/M/16W/2240/360D/50K/E26 Class: LED Corn Bulb

Product Description

LED ECB16W-1150 delivers superior brightness, valuable energy savings and long lasting performance. This LED Corn Bulb is ideal for task lighting due to its uniform *cool white light (5000K). Enjoy features such as: instant on, shatter resistance, and mercury free.



Estimated Energy Cost: \$1.92 per year

*Note: Design, features and specifications subject to change without notice. Some features may not be available on all models. For more information please visit: www.eurilighting.com or call 1-888-743-5766

*Minimum starting temperature -25°C (-13°F).

Specifications

Input Power	Input Voltage	Lumen Output	Beam Angle	Center Beam	CCT
16 W	AC100-277V	2240 lm	360°	N/A	5000 K
CRI	Luminous Efficacy	Power Factor	Input Current	Base/Cap	Lamp Lifespan
80	140 lm/W	0.9	0.16 A	E26	50,000 Hrs.

Product Features



Non-Dimmable



Instant-On/Off

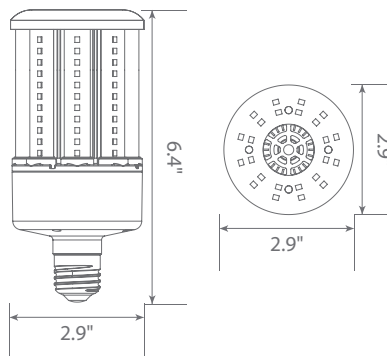


Mercury Free

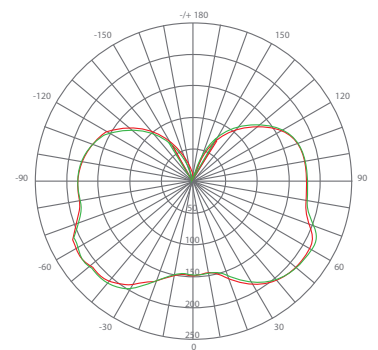


Wet Rated

Product Dimensions



Product Photometric Data



UNIT: cd
 — C0/180, 55.7, 58.3
 — C90/270, 54.7, 56.4