



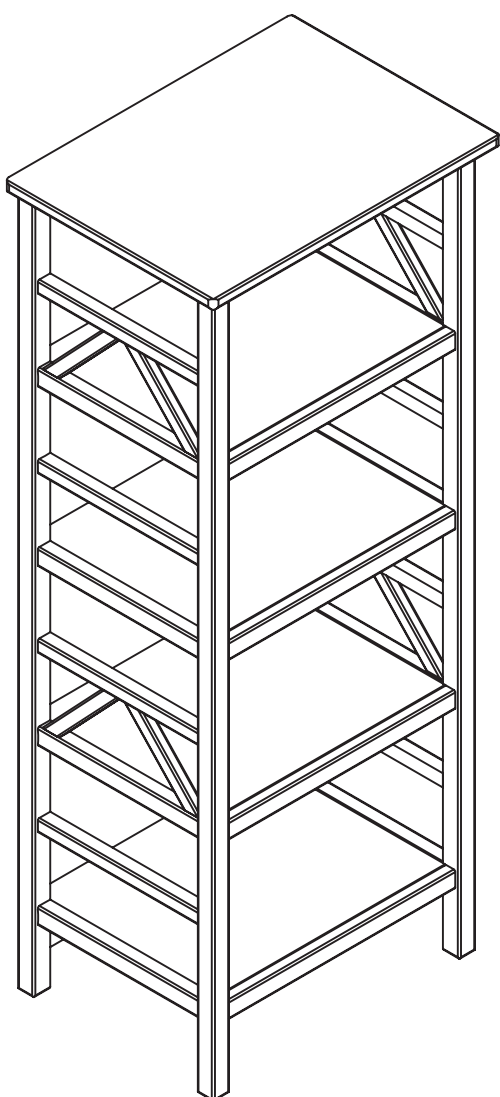
LINON HOME DECOR PRODUCTS, INC.

ASSEMBLY INSTRUCTIONS

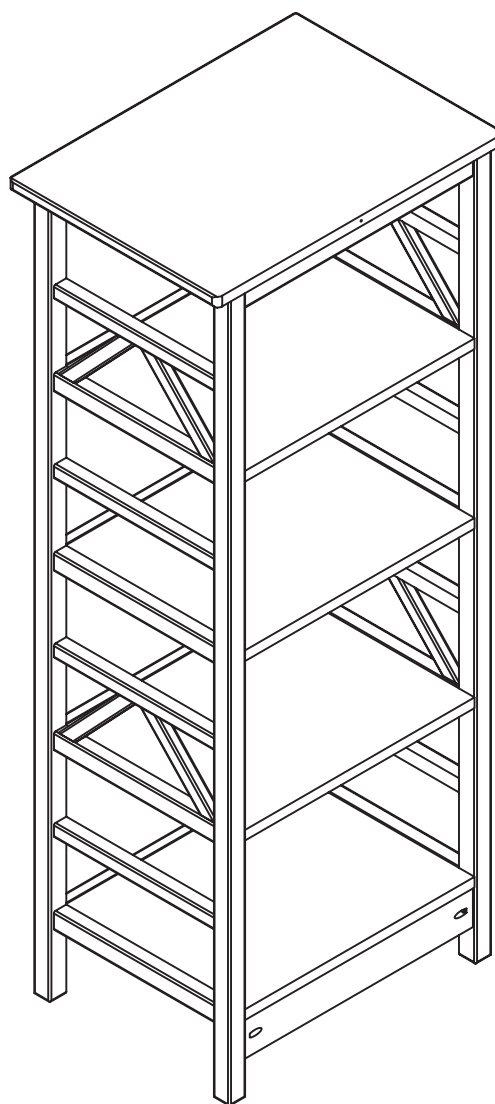
TITIAN MEDIA TOWER

MODEL# 86160AT0B-01-KD-U

Sears# 15395



Front view



Back view

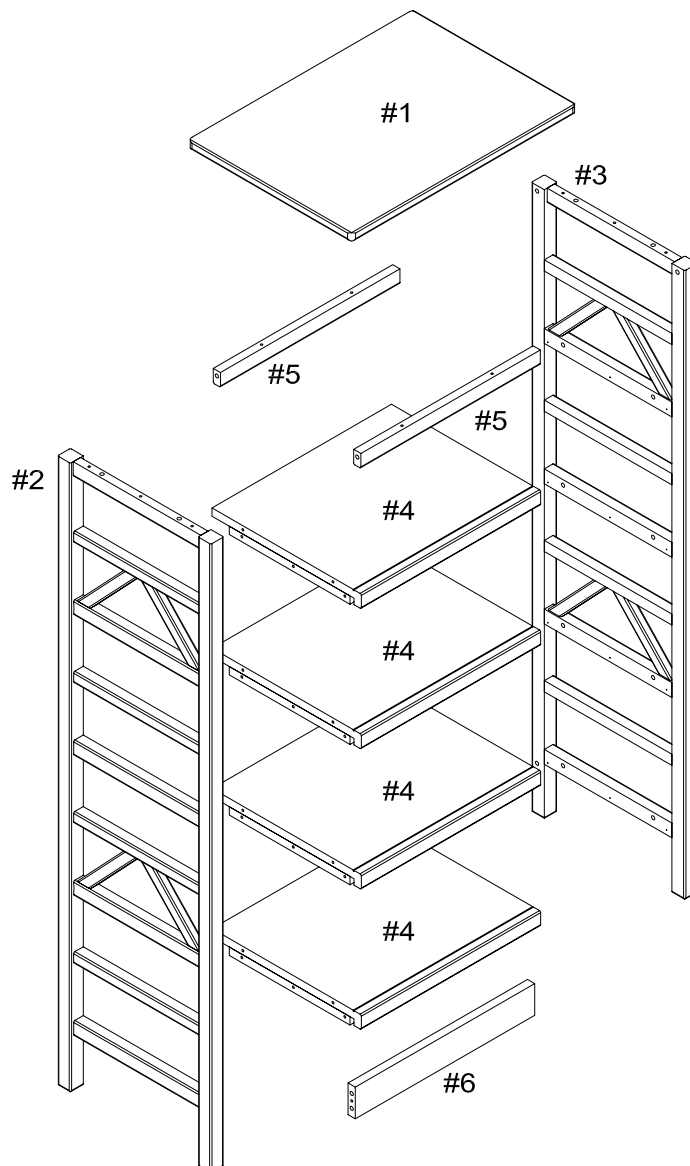
MADE IN CHINA
FOR LINON HOME DECOR PRODUCTS INC BY CH46



LINON HOME DECOR PRODUCTS, INC.

PARTS IDENTIFICATION

ITEM	DESCRIPTION	QTY
#1	TOP SHELF	01
#2	LEFT SIDE	01
#3	RIGHT SIDE	01
#4	CENTER SHELF	03
#5	TOP RAIL	02
#6	BOTTOM RAIL	01




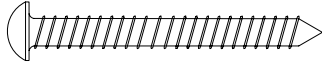

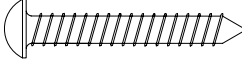
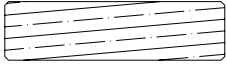
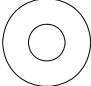
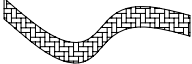

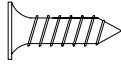

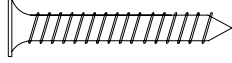
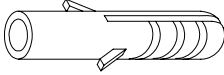

For ease of identification all parts are labeled to correspond to the Step number in which the part is used.



LINON HOME DECOR PRODUCTS, INC.

HARDWARE IDENTIFICATION

Please line up the hardware with the correct full size image to make sure you are installing the hardware correctly.

ITEM	PICTURE	DESCRIPTION	QTY
A	  (Ø4x40mm) Full size	SCREW	10
B	  (Ø4x30mm) Full size	SCREW	26
C	 (Ø8x30mm) Full size	WOODEN DOWEL	12
D	 (Ø12mm) Full size	FLAT WASHER	02
E	 Not to Scale	STRAP	01
F	  (Ø3.5x15mm) Full size	WOOD SCREW	01
G	  (Ø3.5x30mm) Full size	WALL SCREW	01
H	 (30mm) Not to Scale	WALL ANCHOR	01
I	 (Ø6x30mm) Full size	WOODEN DOWEL	16

Tools required



Long screwdriver

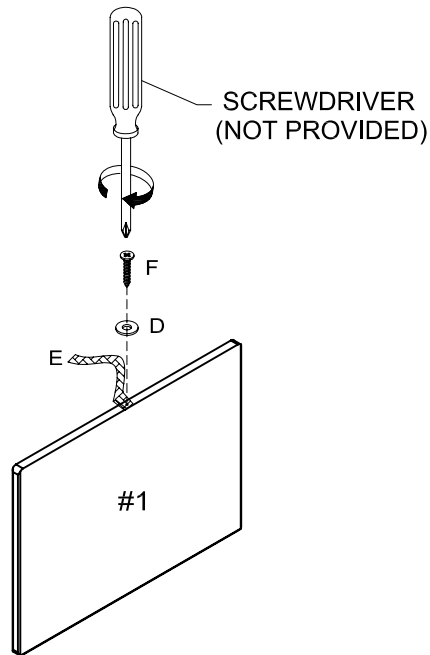


Small
hammer

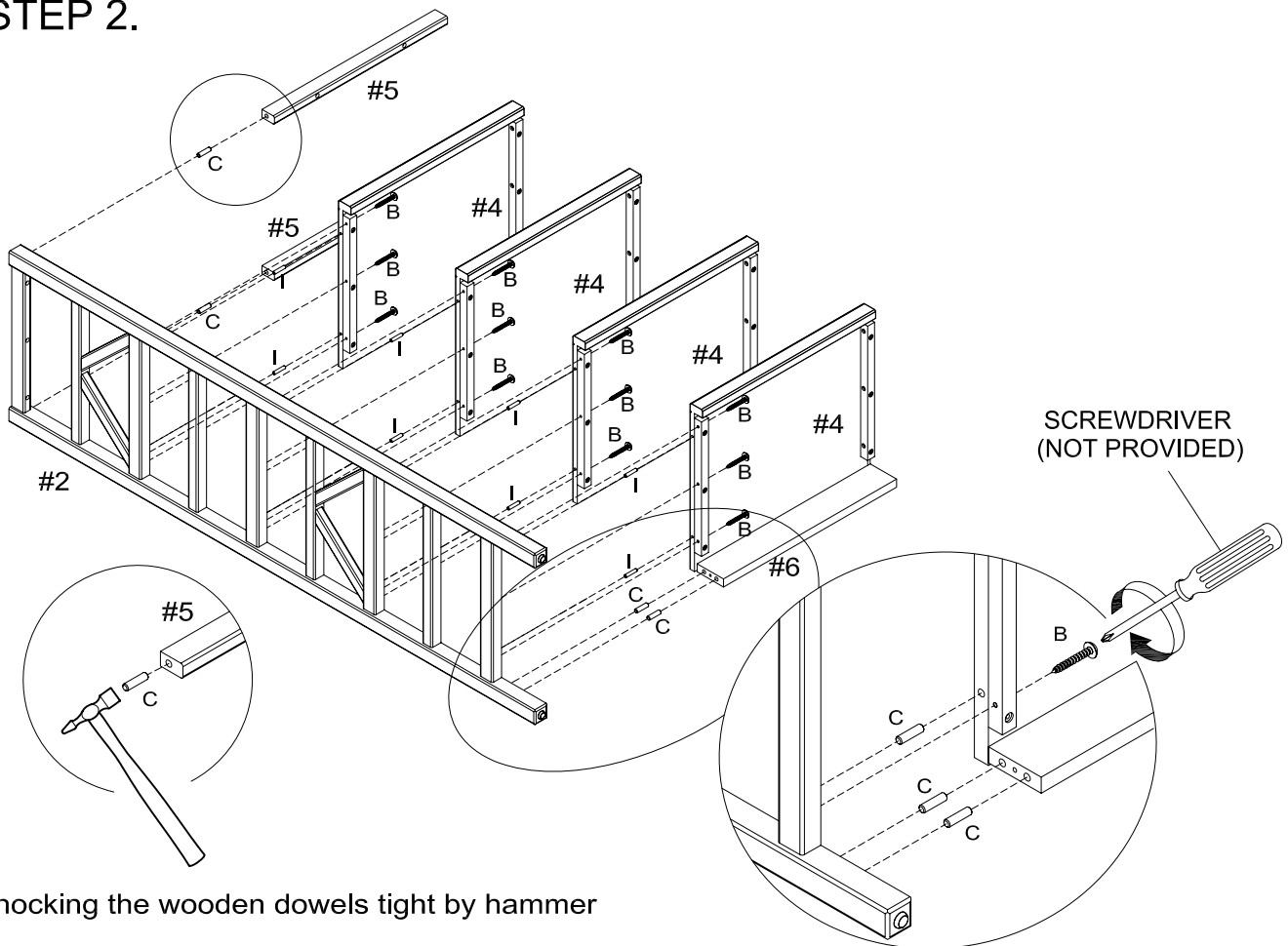


LINON HOME DECOR PRODUCTS, INC.

STEP 1.



STEP 2.



knocking the wooden dowels tight by hammer

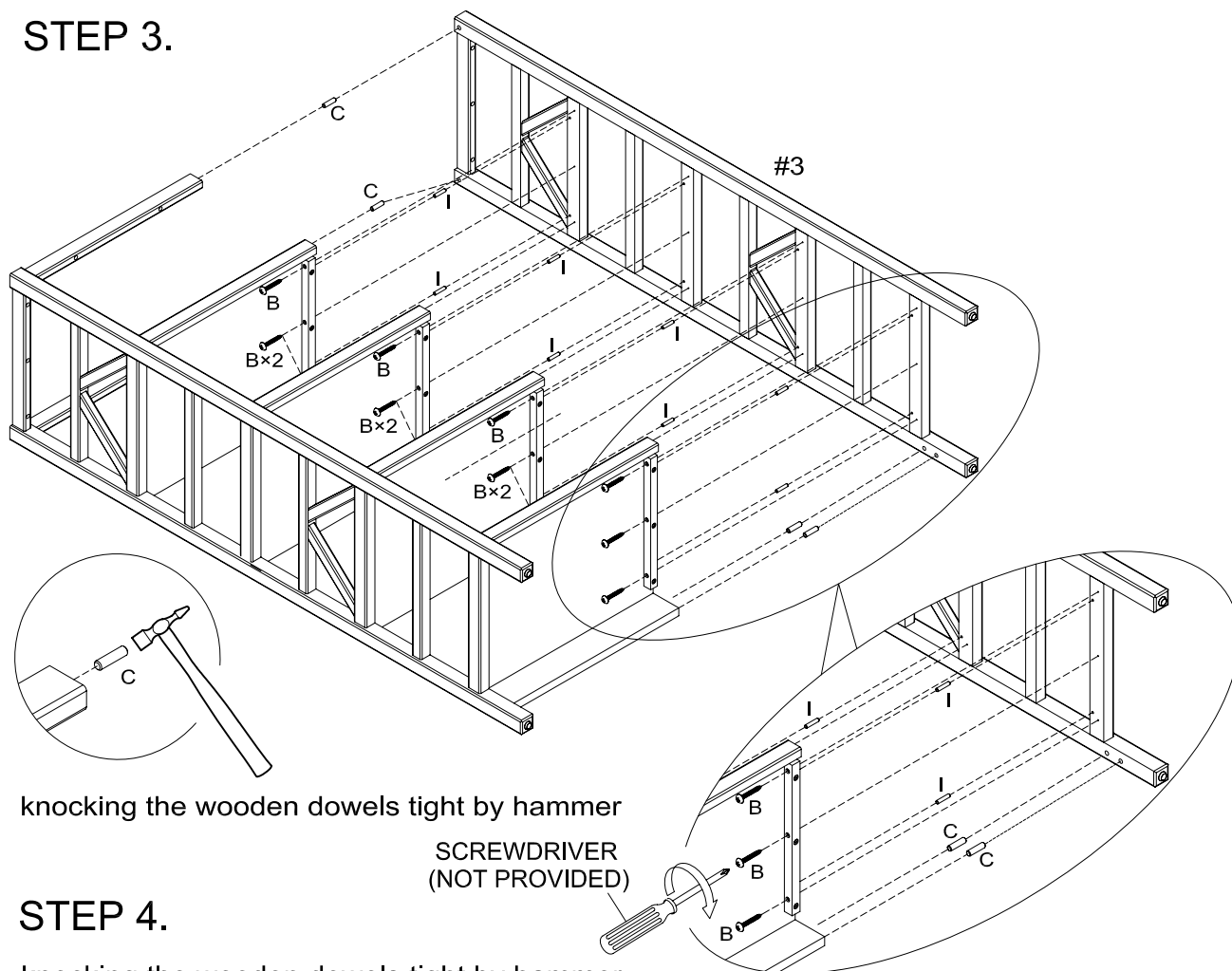
IMPORTANT:

1. DO NOT TIGHTEN BOLTS COMPLETELY UNTIL ALL BOLTS ARE COMPLETELY LINED UP AND INSERTED INTO HOLES / NUTS.
2. DO NOT OVER TIGHTEN SCREWS AND BOLTS TO AVOID STRIPPING.



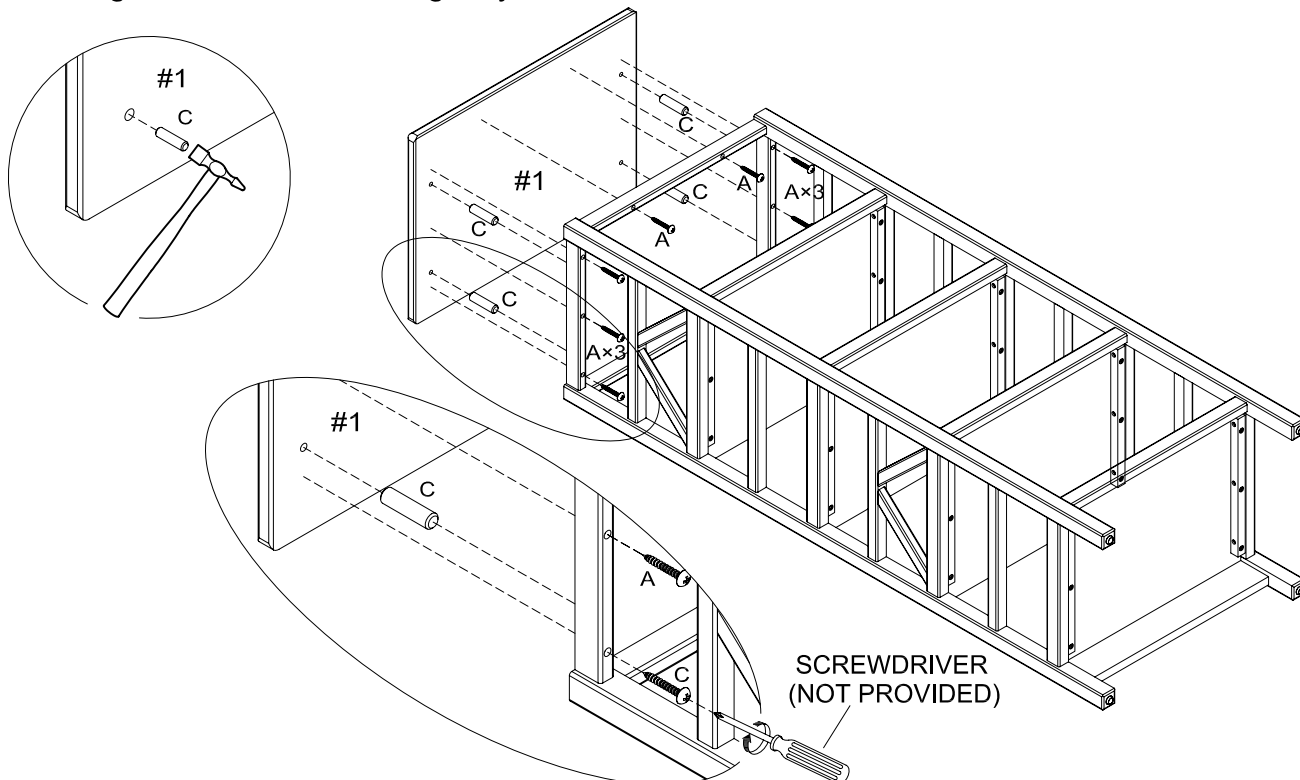
LINON HOME DECOR PRODUCTS, INC.

STEP 3.



STEP 4.

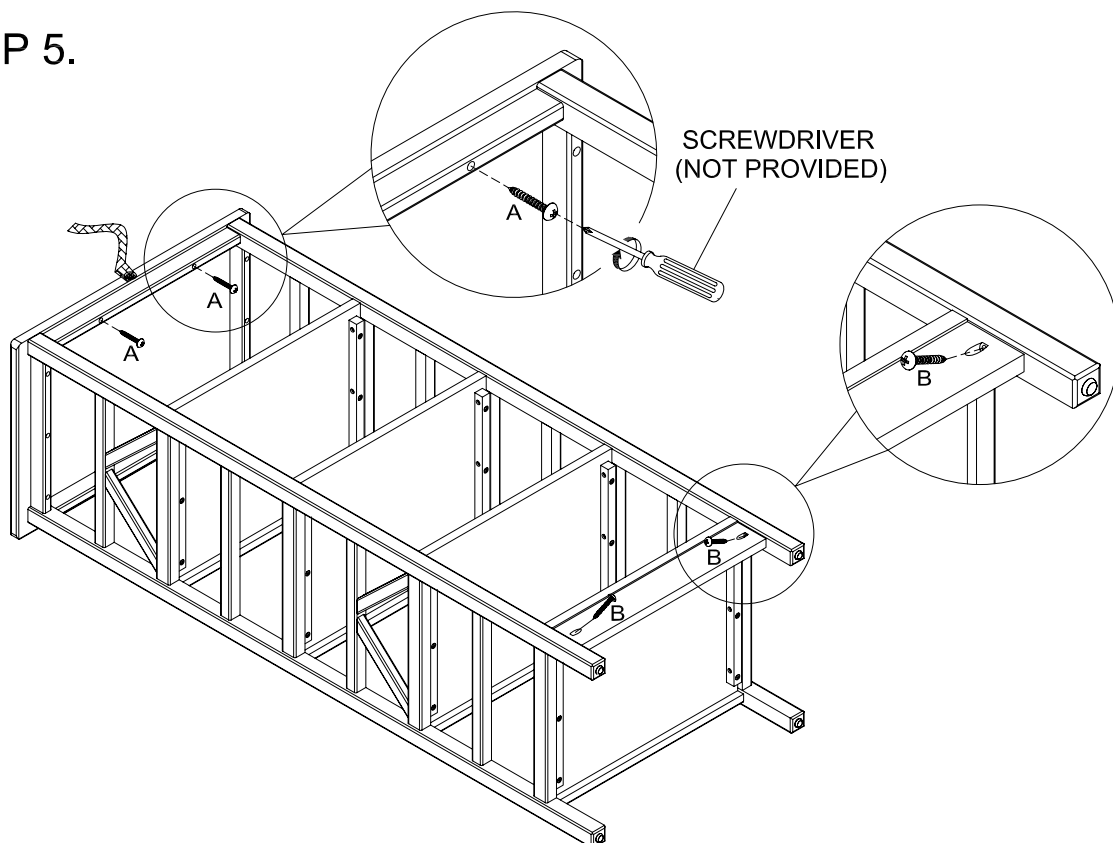
knocking the wooden dowels tight by hammer



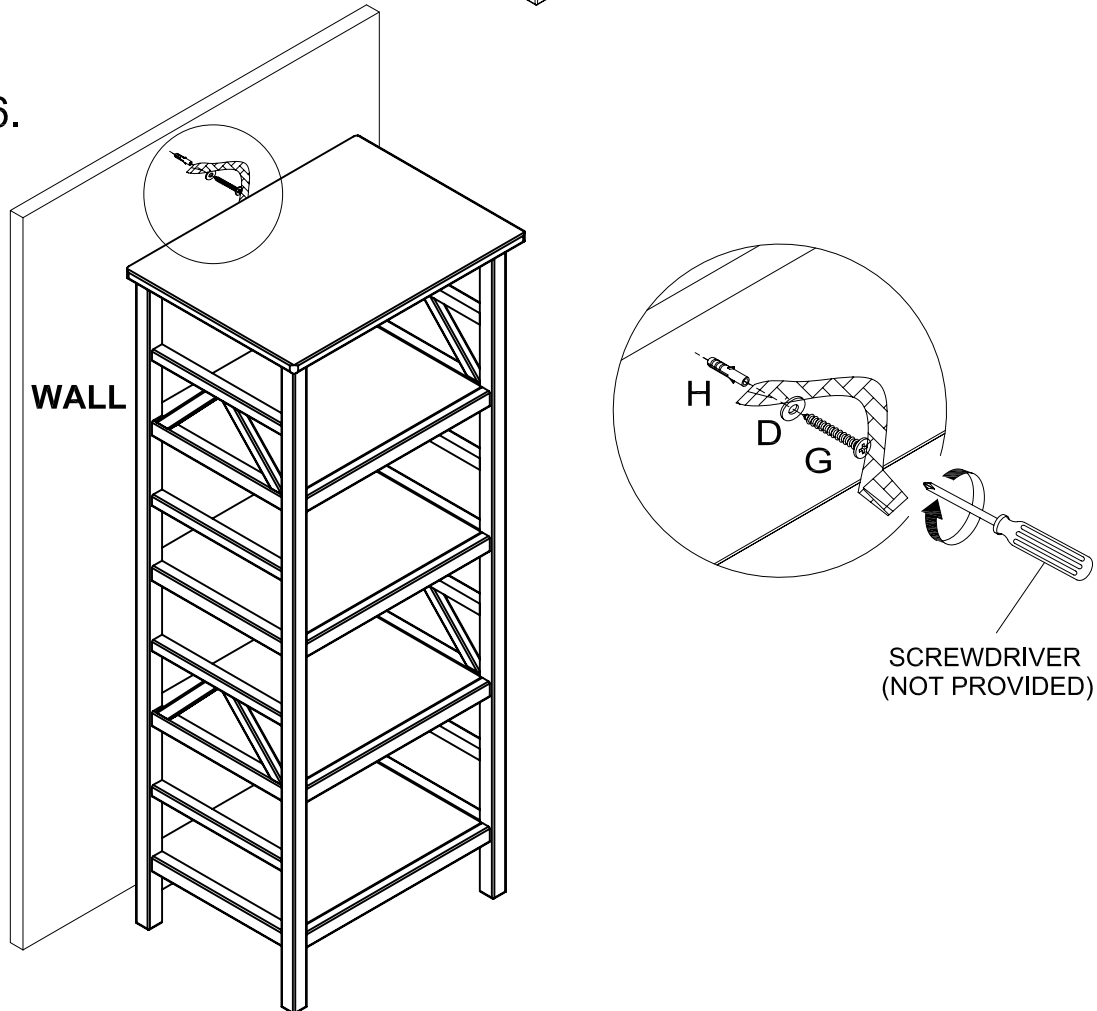


LINON HOME DECOR PRODUCTS, INC.

STEP 5.



STEP 6.





LINON HOME DECOR PRODUCTS, INC.

STEP 7.



WARNING

Serious or fatal crushing injuries can occur from furniture tip-over. To help prevent tip-over:

- Place heaviest items in the lowest drawers.
- Unless specifically designed to accommodate, do not set TVs or other heavy objects on the top of this product.
- Never allow children to climb or hang on drawers, doors, or shelves.
- Do not defeat or remove the drawer interlock system.

Use of tip-over restraints may only reduce, but not eliminate, the risk of tip-over.

This is a permanent label. Do not attempt to remove!

