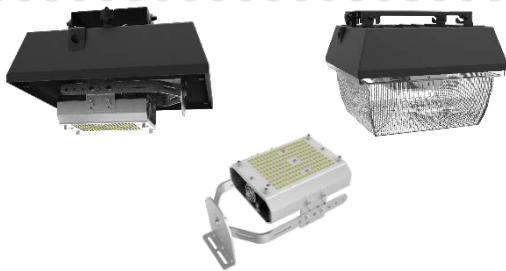


LEDBLOCK G3 HIGH POWER LED RETROFIT MODULE



The LEDBLOCK is a patented extruded aluminum design that replaces HID, HPS, or MH lamps. The installation bracket of the LEDBLOCK G3 comes partially assembled for a quick and easy installation. The innovative mounting brackets allow for a virtually unlimited amount mounting styles. The LEDBLOCK G3 can be mounted in either vertical or horizontal configuration. Outshine the competition with 165lm/w efficacy and 5/10 year warranty!

PROJECT NAME

PART NUMBER

PART NUMBER BUILDER

MANUFACTURER

RPT

MODEL NUMBER

LEDBLOCK

LUMINOUS FLUX

65L
100L
150L
200L
300L
400L**

CRI/CCT

750
740*

OPTIONS

10VDIM
0-10VDIMMABLE
OCC-HC419S
INTEGRATED OCCUPANCY SENSOR
(ON/OFF Control)
10VDIM-OCC-HC419V
INTEGRATED OCCUPANCY SENSOR
(bi-level dimming)
10VDIM-OCC-HC428V/RF
INTEGRATED OCCUPANCY SENSOR
WITH WIRELESS GROUPING
HV*
348-480VAC LEDDRIVER
(dimming option is not available)

GEN

G3

* Custom Order
** Dimmable option is not available
Kits are stocked with a non-dimmable driver

ORDERING EXAMPLE

RPT-LEDBLOCK-65L-750-G3

INSTALLATION GUIDE

- Turn off power to the fixture. Remove bulb and existing ballast or cut the wires to the ballast and bypass it. Remove reflector to allow for better air flow.
- Assemble desired mounting hardware to LED module head. Attach mounting brackets to fixture housing with screws.
- Wire the output of the LED driver to the LEDBLOCK and connect the input of the LED Driver to the AC power source.
- REMOVE THE PLASTIC COVER FROM THE LED MODULE. Re-assemble remaining parts of the fixture and turn on power.

Simplified instructions. Reference full installation guide for more details. Only qualified personnel should perform installation.

QUICK SPECS

INPUT VOLTAGE	120-277V AC
EFFICACY	165 LPW
OPERATING TEMP	-30°C to 45°C
MAX. CASE TEMP	50°C
POWER FACTOR/THD	>0.9 Power Factor, THD<15%
CRI	70+
BEAM ANGLE	120°
RATED LIFE	L70 LED Lifetime > 100,000 hrs
WARRANTY	5 years on driver, 10 years on LEDBLOCK

CERTIFICATIONS

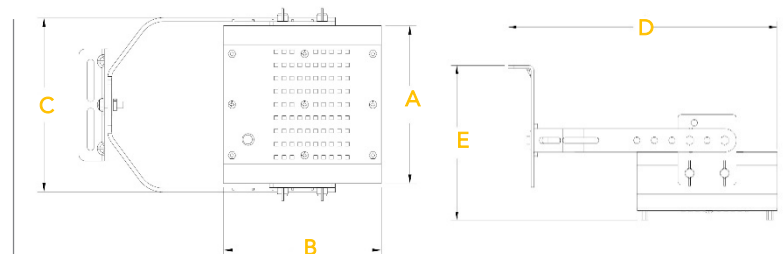


Suitable for damp locations

PERFORMANCE LISTINGS



DIMENSIONS



DIMENSIONS(INCHES)	A	B	C	D	E
RPT-LEDBLOCK-65L-G3	4.72	4.72	5.21	9.06	5.20
RPT-LEDBLOCK-100L-G3	4.72	4.72	5.21	9.06	5.20
RPT-LEDBLOCK-150L-G3	5.11	6.10	5.61	10.93	5.08
RPT-LEDBLOCK-200L-G3	5.11	6.10	5.61	10.93	5.08
RPT-LEDBLOCK-300L-G3	5.90	7.88	6.39	11.81	5.08
RPT-LEDBLOCK-400L-G3	10.00	10.63	10.47	16.93	5.06

LEDBLOCK G3 HIGH POWER LED RETROFIT MODULE

ORDERING GUIDE

CASE QTY	ENERGY STAR	DLC	PART #	LUMEN OUTPUT (LM)	WATTAGE (W)	VOLTAGE RANGE (V _{AC})	WARRANTY (YRS)	TRADITIONAL EQUIVALENT
6		P	RPT-LEDBLOCK-65L-7xx-G3	5100	30 @ 120 V 30 @ 277 V	120-277	5 Years (Driver) 10 Years (LEDBLOCK)	150 W HID
6		P	RPT-LEDBLOCK-100L-7xx-G3	8850	52 @ 120 V 52 @ 277 V	120-277	5 Years (Driver) 10 Years (LEDBLOCK)	250 W HID
6		P	RPT-LEDBLOCK-150L-7xx-G3	15700	99 @ 120 V 97 @ 277 V	120-277	5 Years (Driver) 10 Years (LEDBLOCK)	360 W HID
6		P	RPT-LEDBLOCK-200L-7xx-G3	20000	124 @ 120 V 124 @ 277 V	120-277	5 Years (Driver) 10 Years (LEDBLOCK)	400 W HID
6		P	RPT-LEDBLOCK-300L-7xx-G3	24000	150 @ 120 V 150 @ 277 V	120-277	5 Years (Driver) 10 Years (LEDBLOCK)	400 W HID
3		P	RPT-LEDBLOCK-400L-7xx-G3	43000	277 @ 120 V 270 @ 277 V	120-277	5 Years (Driver) 10 Years (LEDBLOCK)	1000 W HID

P Kits are DLC Premium
xx 40 (4000K), 50 (5000K)

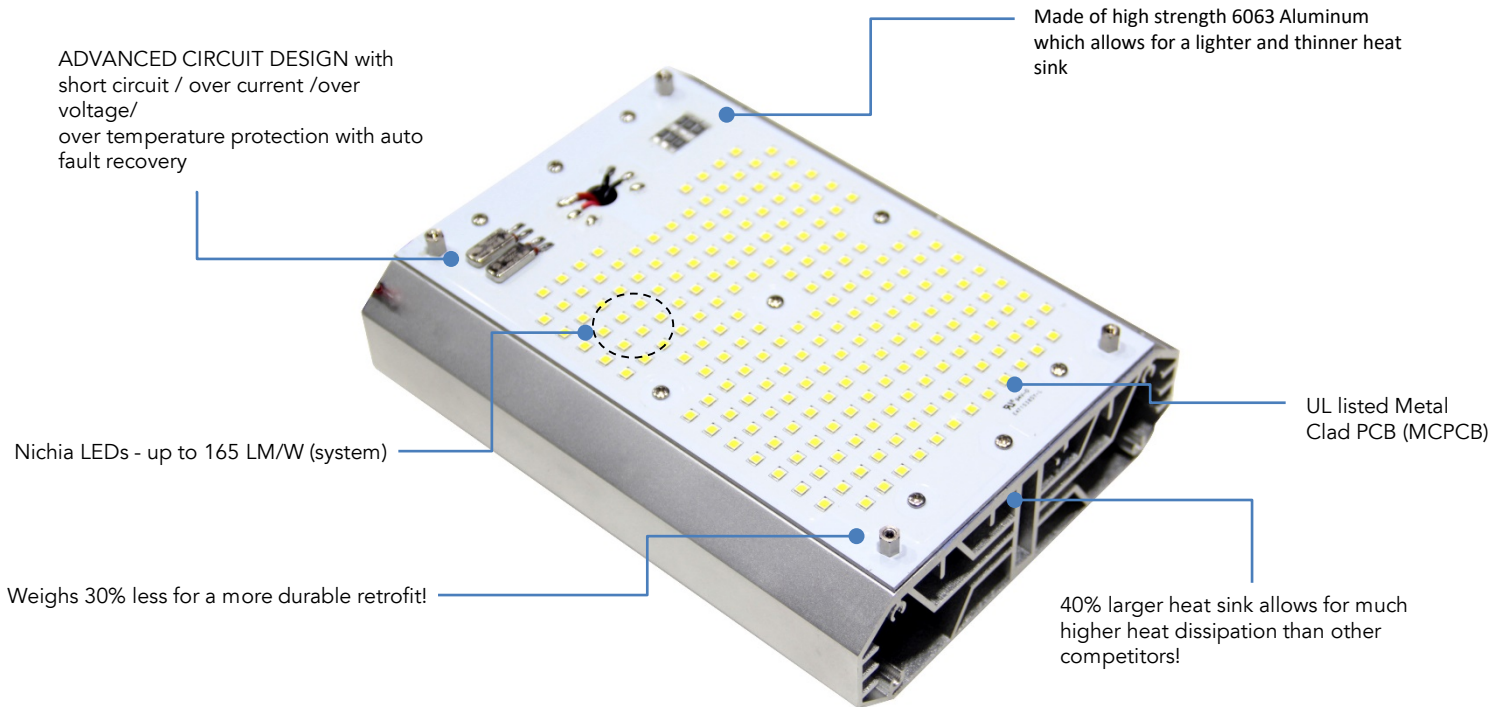
OPTIONAL FACTORY INSTALLED OCC SENSOR



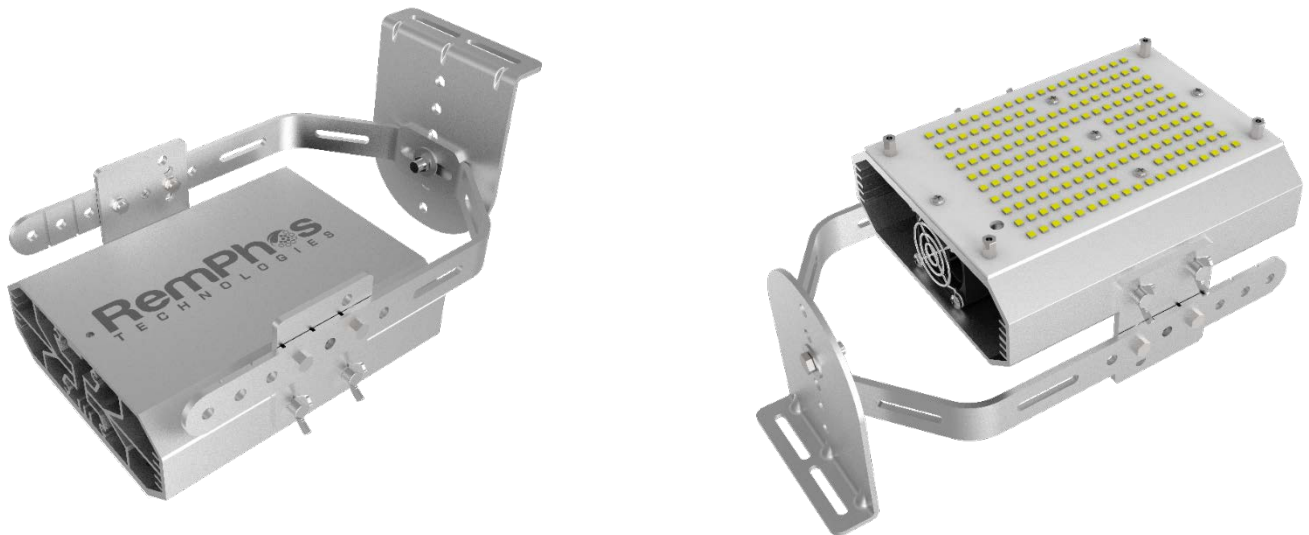
This fixture can be paired with our integral occupancy sensor for maximum energy savings. Unlike traditional passive infrared sensors (PIR) or Ultrasonic occupancy sensors, this high-frequency sensor can be hidden behind the lens eliminating the need for an external sensor and providing a clean look.

LEDBLOCK G3 HIGH POWER LED RETROFIT MODULE

UNIQUE FEATURES



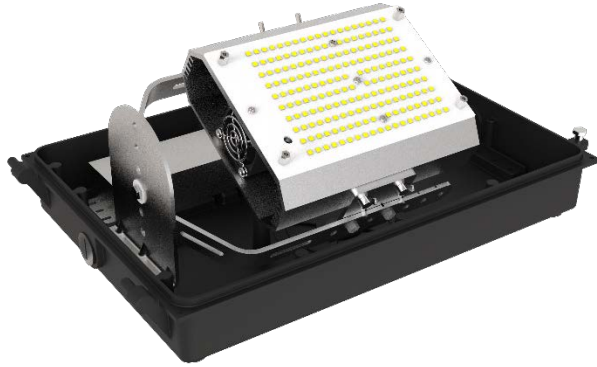
INCLUDED INSTALLATION BRACKET



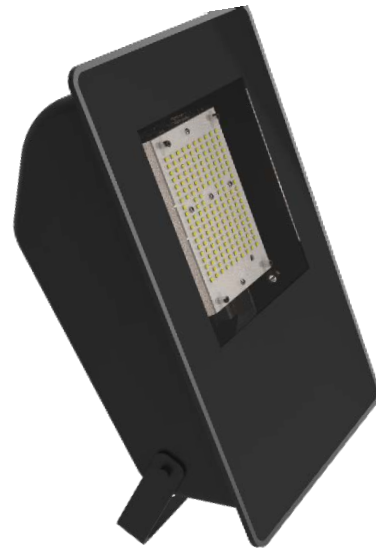
LEDBLOCK G3 HIGH POWER LED RETROFIT MODULE

TYPICAL APPLICATIONS

WALL PACK



FLOOD LIGHT



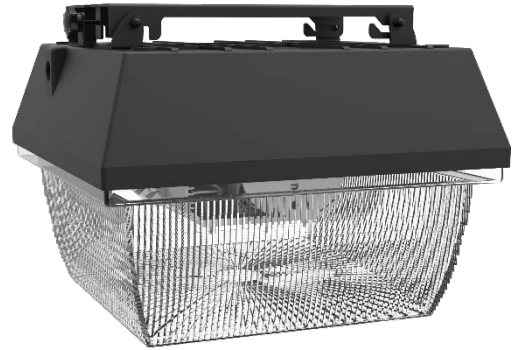
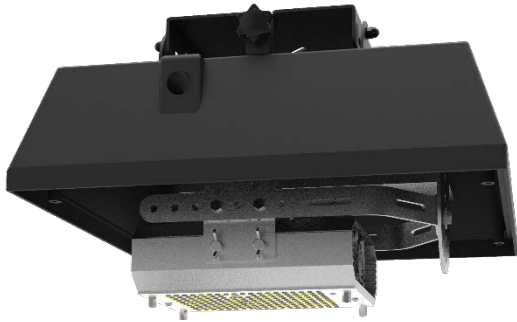
SHOE BOX



LEDBLOCK G3 HIGH POWER LED RETROFIT MODULE

TYPICAL APPLICATIONS

CANOPY

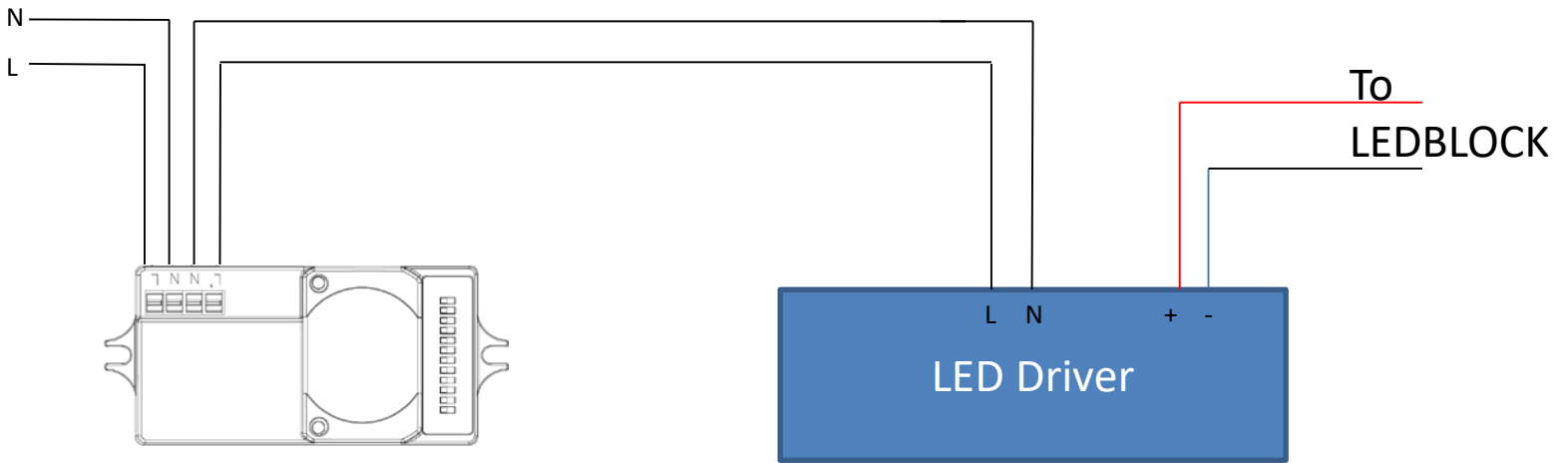


CIRCULAR HIGH BAY



LEDBLOCK G3 HIGH POWER LED RETROFIT MODULE

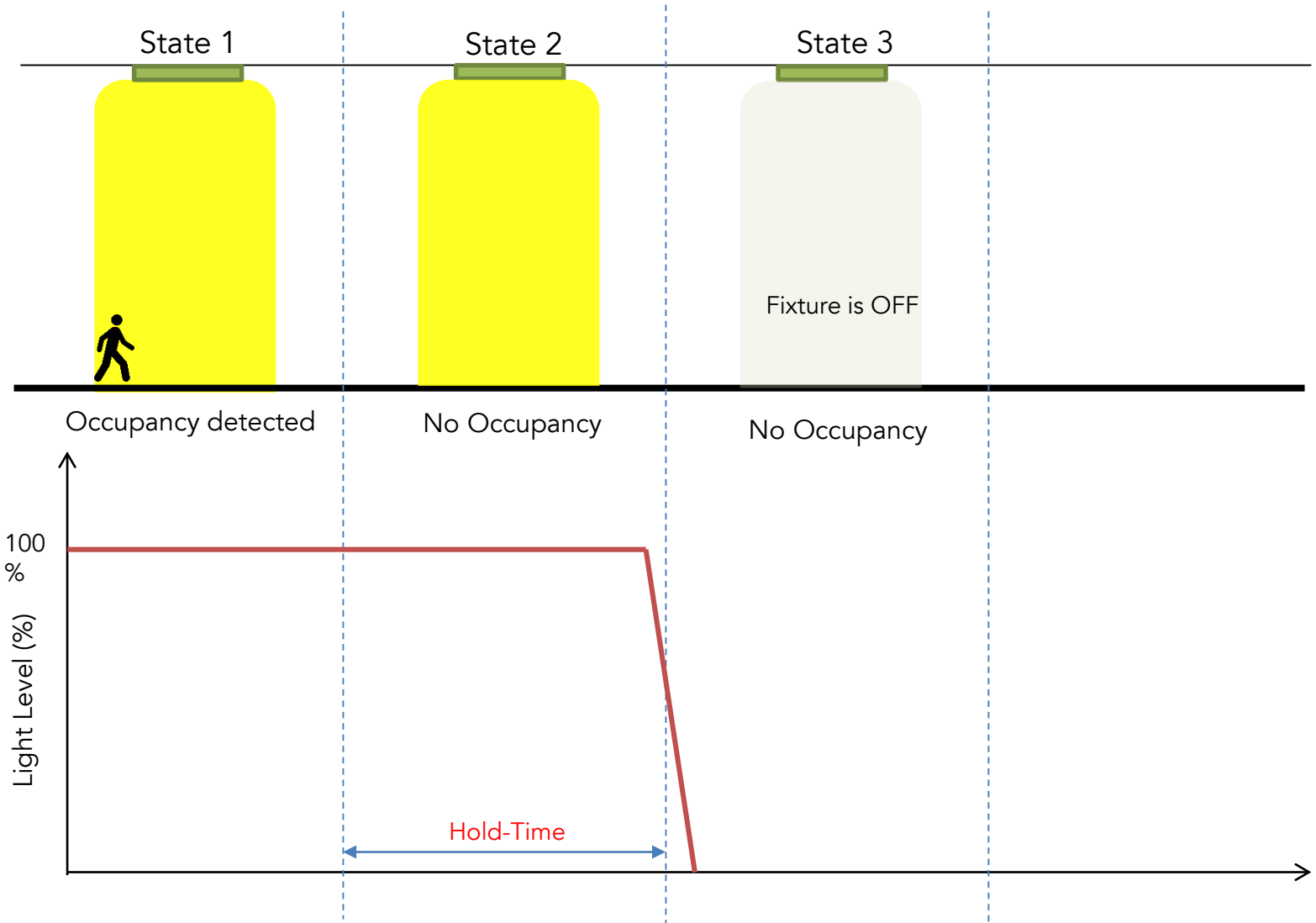
OPTIONAL OCC SENSOR (HC419S CONTROL MODULE) - WIRING



- 1 Sensor controlling 1 LED driver.
- ON/OFF Control

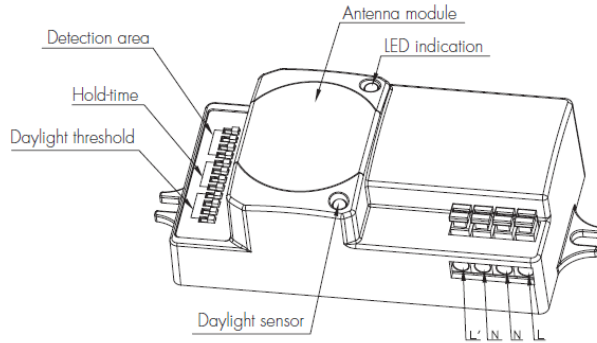
LEDBLOCK G3 HIGH POWER LED RETROFIT MODULE

OPTIONAL OCC SENSOR (HC419S CONTROL MODULE) – APPLICATION SCENARIO



LEDBLOCK G3 HIGH POWER LED RETROFIT MODULE

OPTIONAL OCC SENSOR (HC419S CONTROL MODULE) – CONFIGURATION

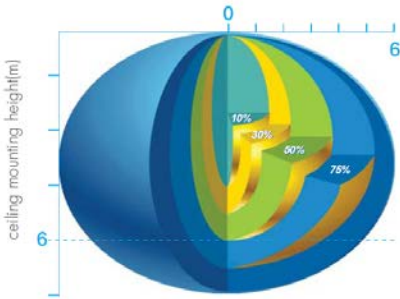


Hold-Time

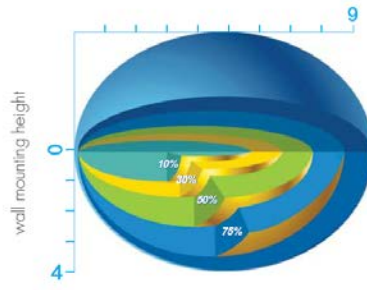
	1	2	3	4	Hold-Time
I	●	●	●	●	5 secs
II	○	●	●	●	30 secs
III	●	○	●	●	1 min
IV	●	●	○	●	5 min
V	●	●	●	○	10 min
VI	●	●	○	○	20 min
VII	○	○	○	○	30 min

Daylight threshold

	1	2	3	4	Light Levels
I	●	●	●	●	Disabled
II	○	●	●	●	50 Lux
III	●	○	●	●	10 Lux
IV	○	○	○	○	2 Lux



Ceiling mounted detection pattern



Wall mounted detection pattern

Detection Area

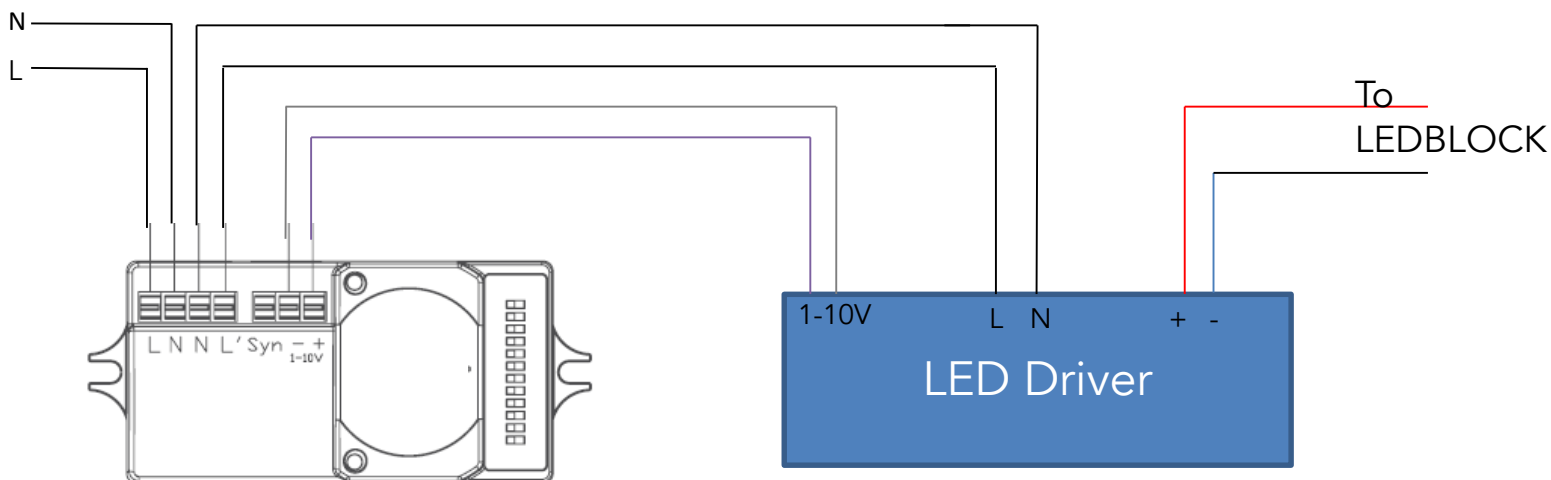
	1	2	3	4	Detection Area
I	●	●	●	●	100%
II	○	●	●	●	75%
III	●	○	●	●	50%
IV	●	●	○	●	30%
V	○	○	○	○	10%

Factory Default Settings:

Detection range: 100%
 Hold-time: 5 secs
 Daylight sensor: Disabled

LEDBLOCK G3 HIGH POWER LED RETROFIT MODULE

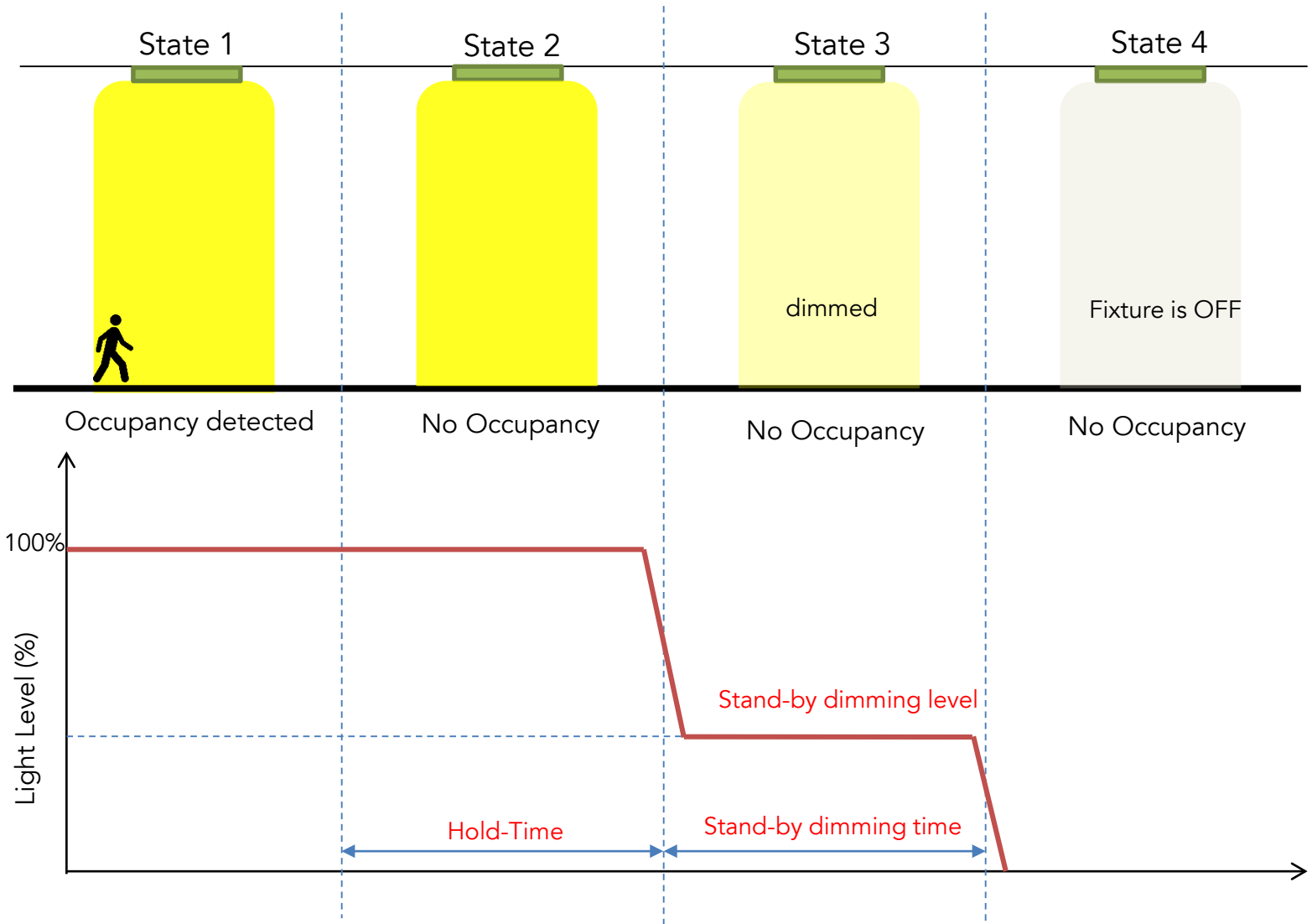
OPTIONAL OCC SENSOR (HC419V CONTROL MODULE) – WIRING



- 1 Sensor controlling 1 LED driver.
- Control is achieved via 0-10V dimming.
- The OCC module has a built-in relay (or switch) that can disconnect power to the LED driver when no occupancy is detected.

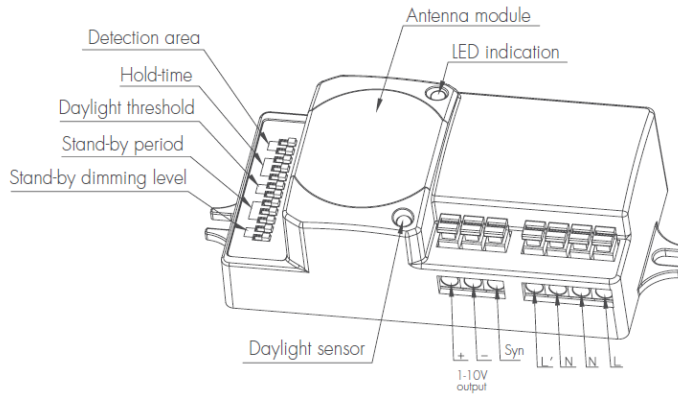
LEDBLOCK G3 HIGH POWER LED RETROFIT MODULE

OPTIONAL OCC SENSOR (HC419V CONTROL MODULE) – APPLICATION SCENARIO



LEDBLOCK G3 HIGH POWER LED RETROFIT MODULE

OPTIONAL OCC SENSOR (HC419V CONTROL MODULE) – CONFIGURATION



Model: HC419V

Hold-Time

	1	2	3	Hold-Time
I	●	●	●	5 secs
II	●	●	○	30 secs
III	●	○	●	1 min
IV	●	○	○	5 min
V	○	●	●	10 min
VI	○	●	○	20 min
VII	○	○	○	30 min

Daylight threshold

	1	2	Light Levels
I	●	●	Disabled
II	●	○	50 Lux
III	○	●	10 Lux
IV	○	○	2 Lux

Note:
If enabled, when there is enough daylight, the fixture will remain OFF. The daylight threshold is disabled if the stand-by period is set to 'forever'

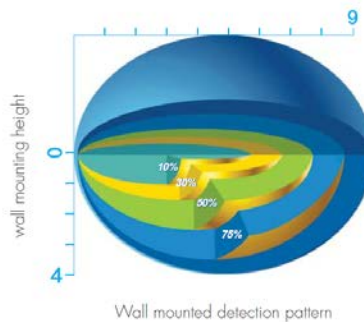
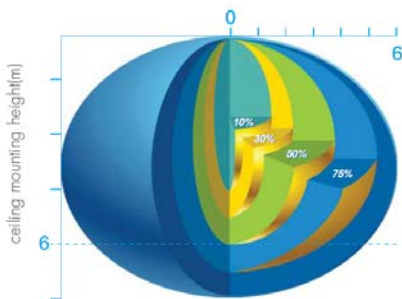
Stand-by period

	1	2	3	Stand-by time
I	●	●	●	0 secs
II	●	●	○	10 secs
III	●	○	●	1 min
IV	●	○	○	5 min
V	○	●	●	10 min
VI	○	●	○	30 min
VII	○	○	●	1 hr
VIII	○	○	○	Forever

Stand-by dimming level

	1	2	Stand-by dimming level
I	●	●	10%
II	●	○	20%
III	○	●	30%
IV	○	○	50%

See next page to understand behavior when stand-by period is set to 'forever'



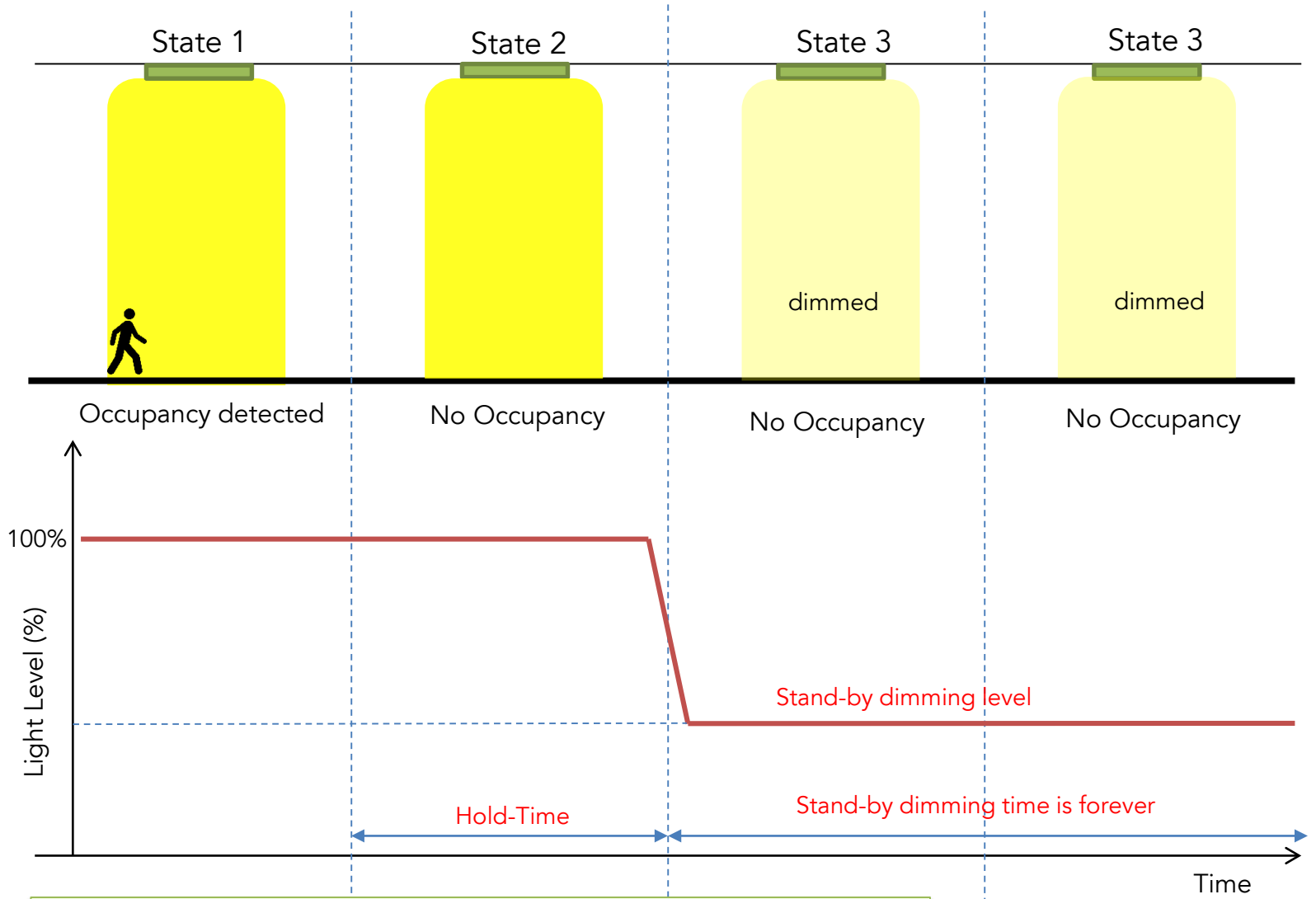
Detection Area

	1	2	Detection Area
I	●	●	100%
II	●	○	75%
III	○	●	50%
IV	○	○	10%

Factory Default Settings:

Detection range: 50%
 Hold-time: 5 min
 Stand-by period: Forever
 Stand-by dimming level: 100%
 Daylight sensor: Disabled

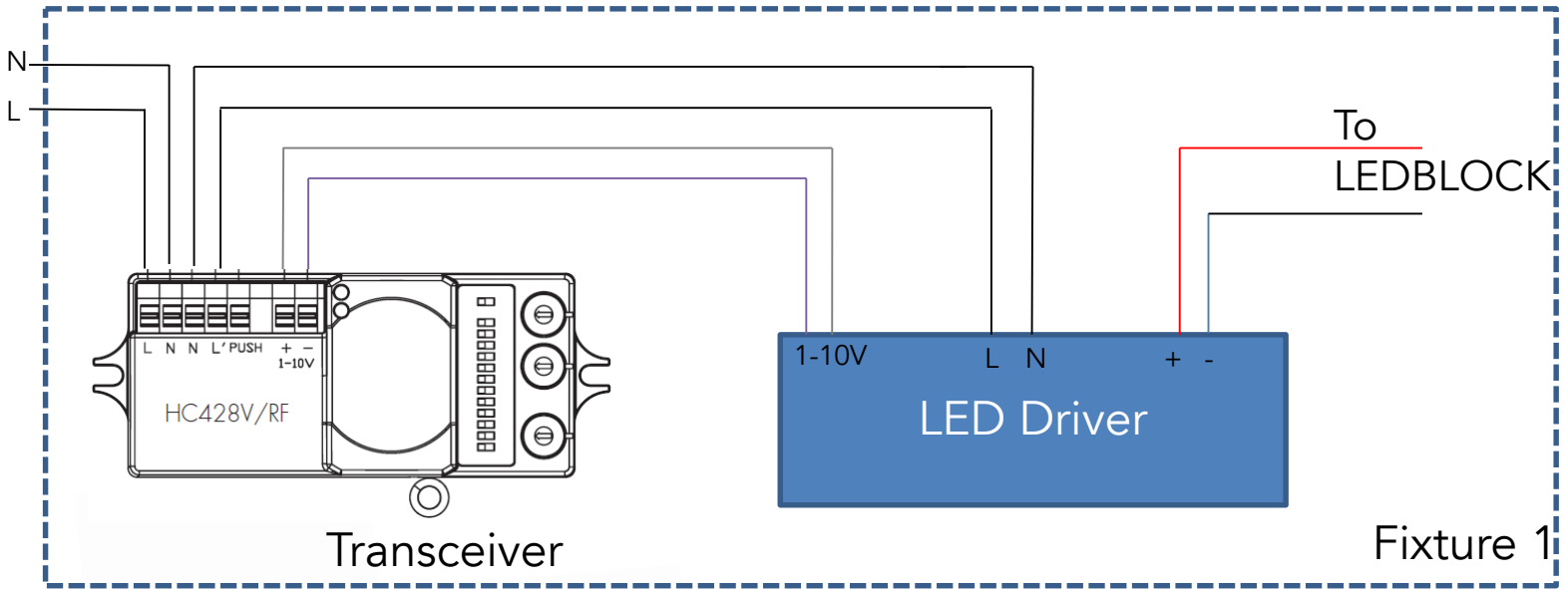
OPTIONAL OCC SENSOR (HC419V CONTROL MODULE) – APPLICATION SCENARIO



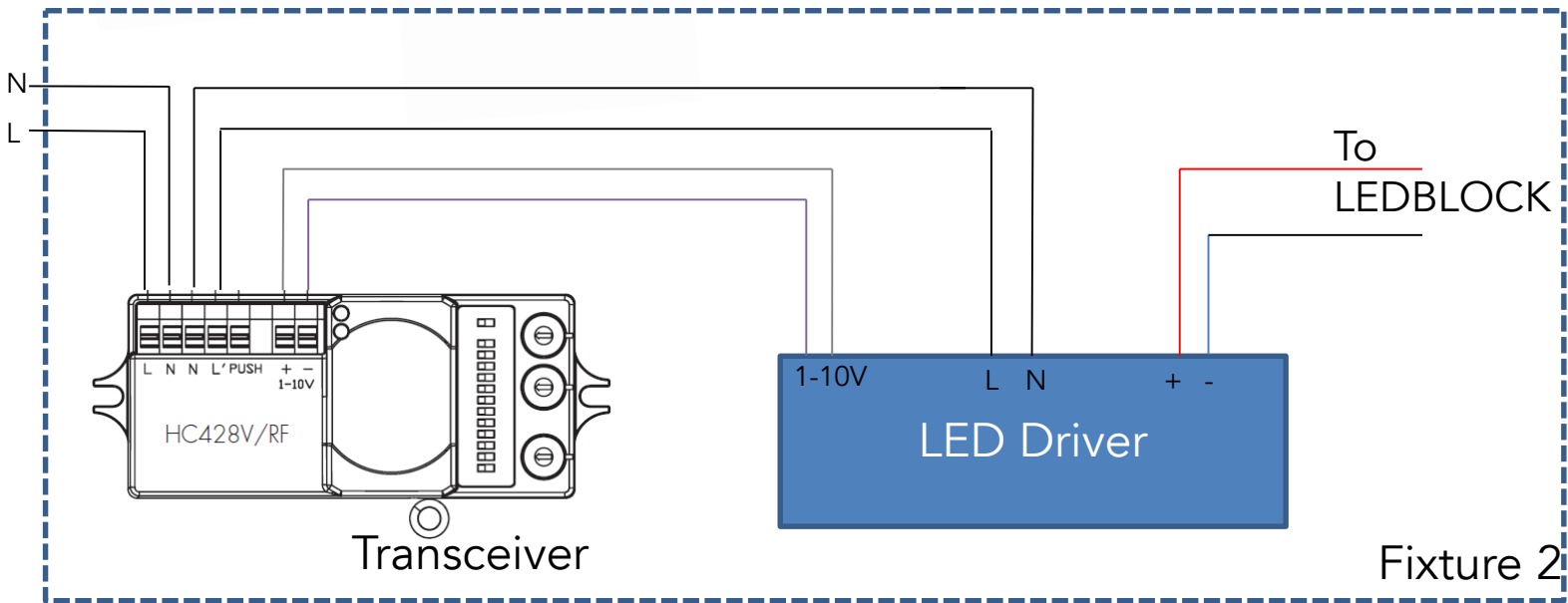
Note:
The daylight threshold is disabled if the stand-by period is set to 'forever'

LEDBLOCK G3 HIGH POWER LED RETROFIT MODULE

OPTIONAL OCC SENSOR (HC428V/RF CONTROL MODULE) – WIRING



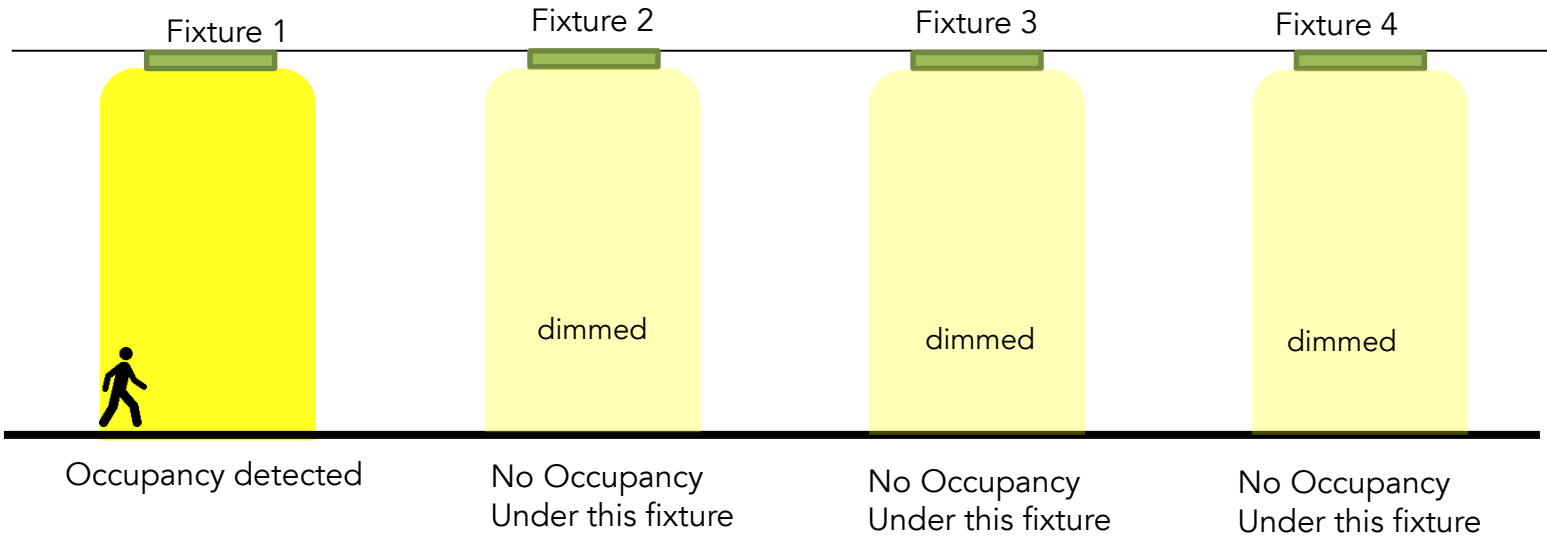
 Two way RF communication between fixtures



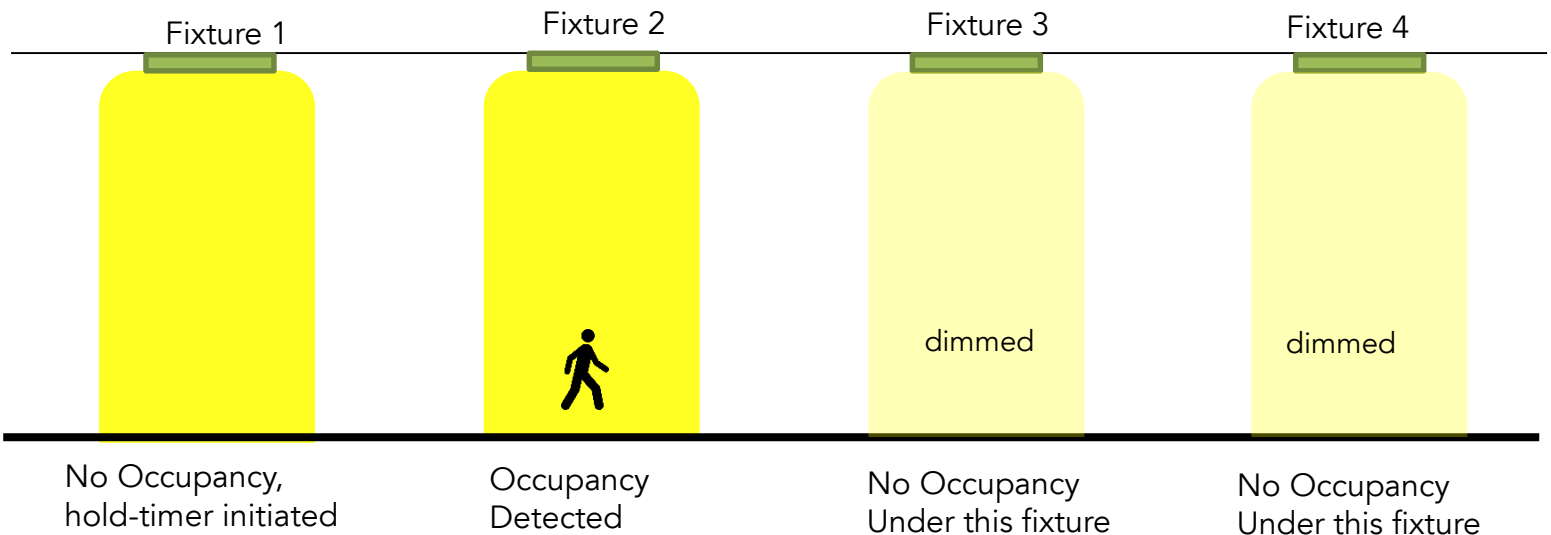
- 1 Sensor controlling 1 LED driver.
- Control is achieved via 0-10V dimming.
- The OCC module has a built-in relay (or switch) that can disconnect power to the LED driver when no occupancy is detected.
- Fixtures can communicate wirelessly with each other for group level behavior.

LEDBLOCK G3 HIGH POWER LED RETROFIT MODULE

OPTIONAL OCC SENSOR (HC428V/RF CONTROL MODULE) – APPLICATION SCENARIO



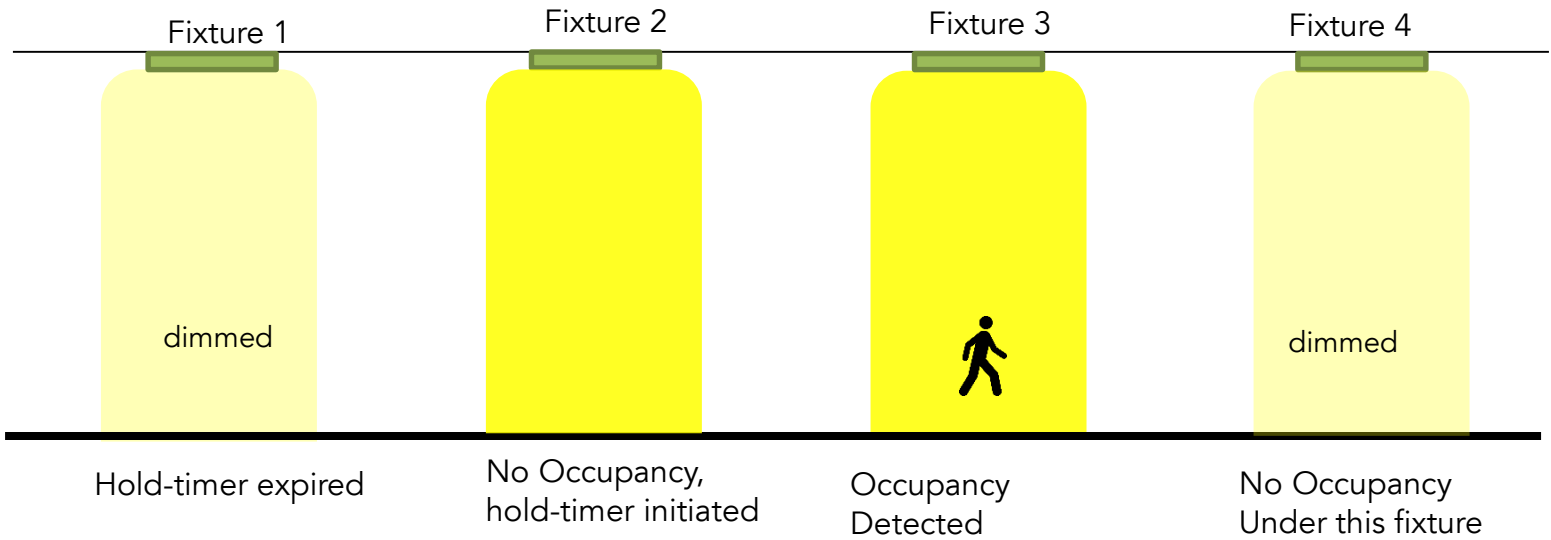
When fixture 1 detects motion, it turns on at full brightness (100%) and then sends an RF signal to the other fixtures, in its group, to turn on at the programmed stand-by dimming level.



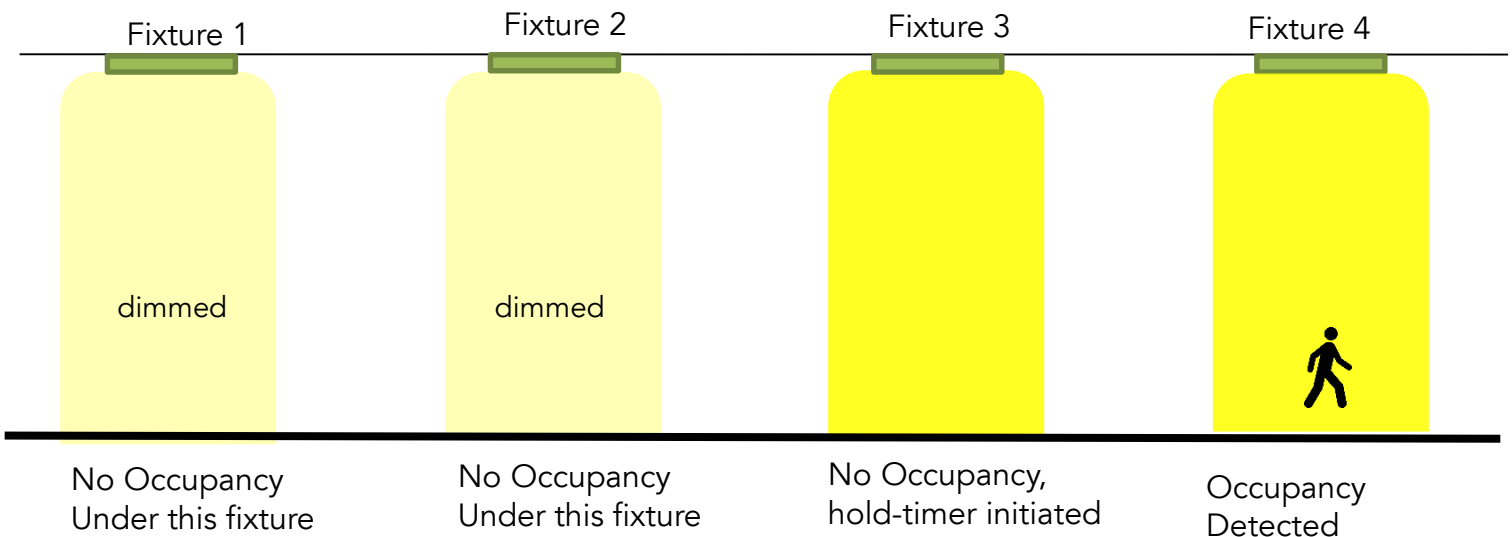
As the occupant moves under fixture 2, its light level will increase to 100% and it also sends an RF signal to the other fixtures in its group.

LEDBLOCK G3 HIGH POWER LED RETROFIT MODULE

OPTIONAL OCC SENSOR (HC428V/RF CONTROL MODULE) – APPLICATION SCENARIO



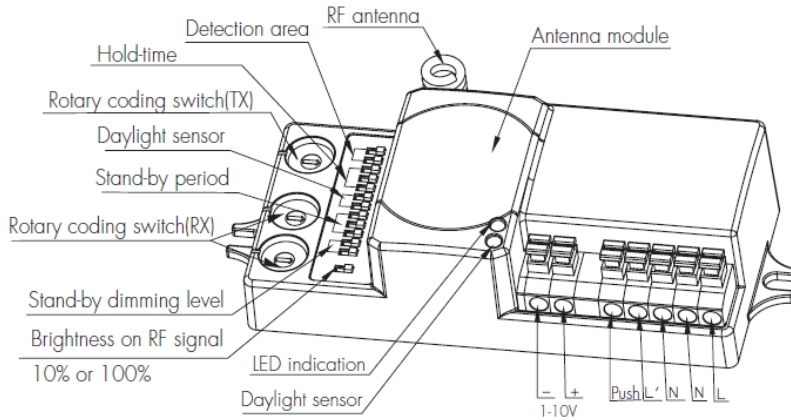
As the occupant moves under fixture 3, its light level will increase to 100% and it also sends an RF signal to the other fixtures in its group. The hold-timer of fixture 1 now has expired and the fixture has returned to its stand-by dimming level. The hold-timer of fixture 2 is now initiated.



As the occupant moves under fixture 4, its light level will increase to 100% and it also sends an RF signal to the other fixtures in its group. The hold-timer of fixture 2 now has expired and the fixture has returned to its stand-by dimming level. The hold-timer of fixture 3 is now initiated.

LEDBLOCK G3 HIGH POWER LED RETROFIT MODULE

OPTIONAL OCC SENSOR (HC428V/RF CONTROL MODULE) – CONFIGURATION



Hold-Time

	1	2	3	Hold-Time
I	●	●	●	5 secs
II	●	●	○	30 secs
III	●	○	○	1 min
IV	●	○	○	5 min
V	○	●	●	10 min
VI	○	●	○	20 min
VII	○	○	○	30 min

Daylight threshold

	1	2	Light Levels
I	●	●	Disabled
II	●	○	50 Lux
III	○	●	10 Lux
IV	○	○	2 Lux

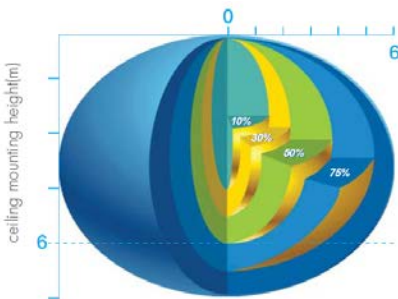
Note:
If enabled, when there is enough daylight, the fixture will remain OFF. The daylight threshold is disabled if the stand-by period is set to 'forever'

Stand-by period

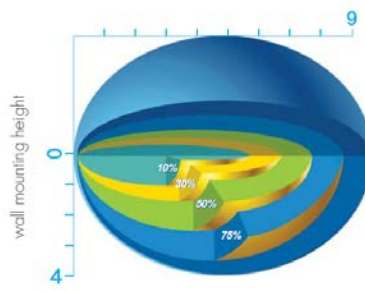
	1	2	3	Stand-by time
I	●	●	●	0 secs
II	●	●	○	10 secs
III	●	○	●	1 min
IV	●	○	○	5 min
V	○	●	●	10 min
VI	○	●	○	30 min
VII	○	○	●	1 hr
VIII	○	○	○	Forever

Stand-by dimming level

	1	2	Stand-by dimming level
I	●	●	10%
II	●	○	20%
III	○	●	30%
IV	○	○	50%



Ceiling mounted detection pattern



Wall mounted detection pattern

Detection Area

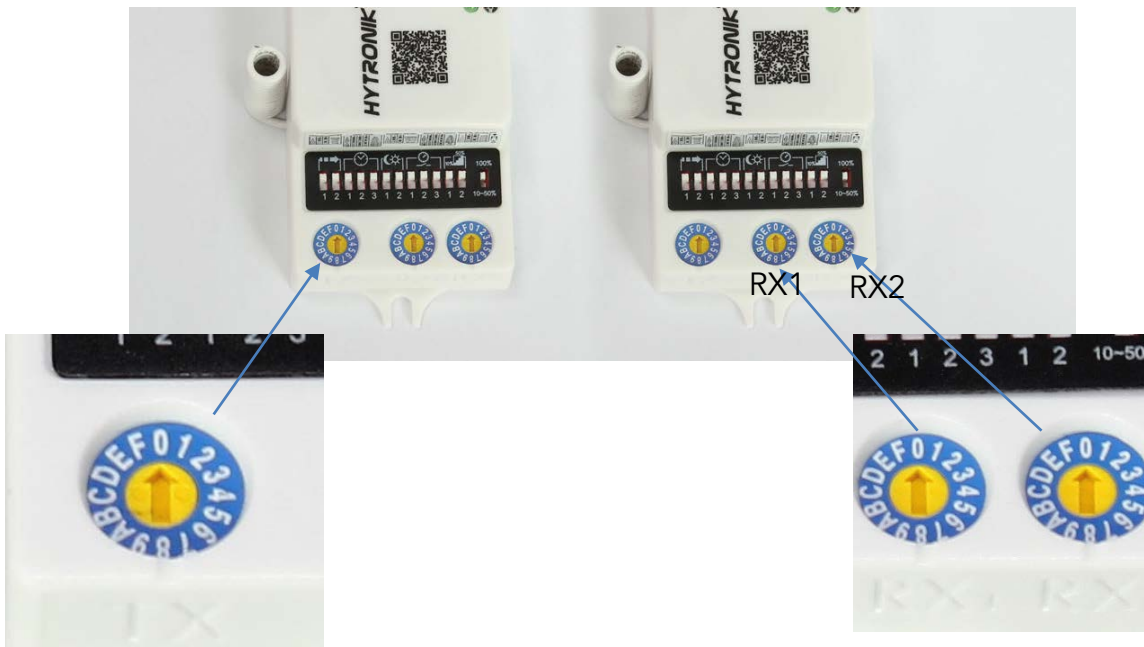
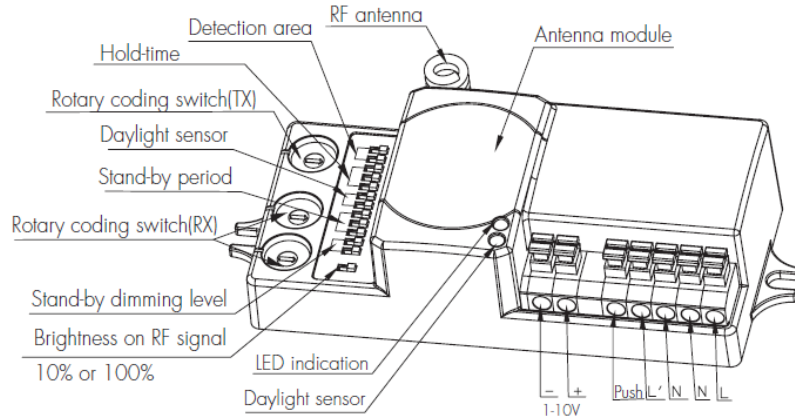
	1	2	Detection Area
I	●	●	100%
II	●	○	75%
III	○	●	50%
IV	○	○	10%

Factory Default Settings:

Detection range:	100%
Hold-time:	5 secs
Stand-by period:	10 secs
Stand-by dimming level:	10%
Daylight sensor:	Disabled

LEDBLOCK G3 HIGH POWER LED RETROFIT MODULE

OPTIONAL OCC SENSOR (HC428V/RF CONTROL MODULE) – CONFIGURATION (RF GROUPING)



Use a screwdriver to adjust the rotary switch on the transceivers. By keeping them pointed at the same channel grouping is automatically completed. A maximum of 16 groups are possible.

Note: A transceiver can receive signals from two different groups. This is achieved using the RX1 and RX2 rotary switches.