



LED EP30-2050ews



Part #: EBP30DM/B/11W/800/40D/50K/E26/EWS **Bulb Class:** PAR30 (Long Neck)

Product Description

LED EP30-2050ews delivers superior brightness, valuable energy savings, long lasting performance and true color perception. This short neck flood PAR30 LED bulb is ideal for task lighting due to its uniform yet focal *cool white light (5000K) replacing conventional 75 Watt incandescent bulbs. Built-in MCOB LED Technology offers exceptional light uniformity, energy efficiency, and optimal heat dissipation guaranteeing durability and constant bulb performance. Enjoy features such as: instant on, dimming options, shatter resistance, mercury free and 90+ CRI.



Estimated Energy Cost: \$1.32 per year



*Note: Design, features and specifications subject to change without notice. Some features may not be available on all models. For more information regarding dimmer compatibility please visit: www.eurilighting.com or call 1-888-743-5766



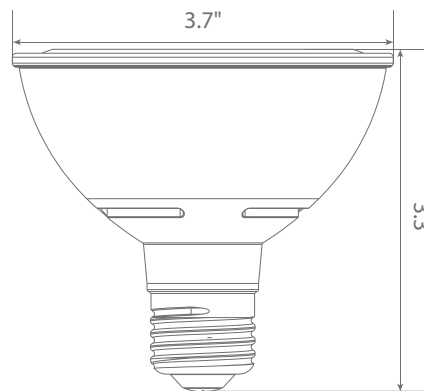
Specifications

Input Power	Input Voltage	Lumen Output	Beam Angle	Center Beam	CCT
11 W	120 V	800 lm	40°	1416 cd	5000 K
CRI	Luminous Efficacy	Power Factor	Input Current	Base/Cap	Lamp Lifespan
91	72 lm/W	0.9	0.09 A	E26	40,000 Hrs.

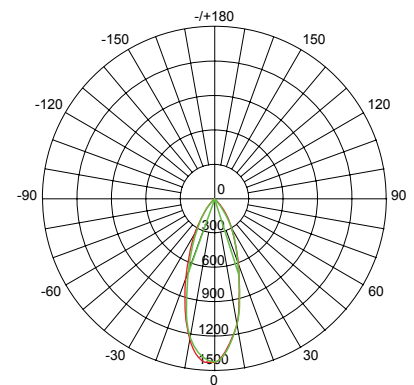
Product Features

- Dimmable
- Instant-On/Off
- Mercury Free
- Wet Rated

Product Dimensions



Product Photometric Data



Euri Lighting | A Division of IRTRONIX Inc.