

HL LED T8 TUBE

High Lumen Nano All Plastic, Double-Ended

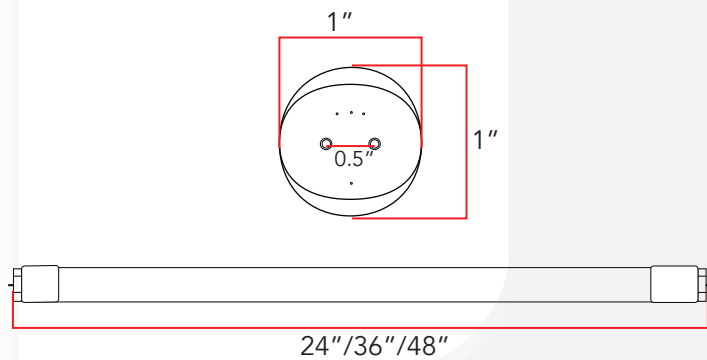


The T8 Internal Nano Tube are the ideal every savings choice when upgrading traditional linear T8 or T12 fluorescent lamps in fixtures containing standard G13 (medium bi-pin) sockets. The LED



*Nano All Plastic Lens

DIMENSIONS



CERTIFICATIONS



FEATURES

- Energy savings up to 70%
- No infrared rays, no ultraviolet radiation. and no thermal effect
- Works only on non-shunted sockets
- Soft and wide light emitting
- Minimize labor and recycling costs
- Special circuit design, avoiding the single broken LED influence problem
- UL Type B
- Instant start without flickering, humming, or RF interference
- High efficiency constant current drive system
- Heat protection system allows performance under unstable voltage
- 5 Year Manufacturer's Warranty

COMMON TECHNICAL DATA

Color Temperature	3000K to 5000K
Beam Angle	330°
CRI	>80
Operation Temperature	-20°C to 50°C
Lumen efficiency	130 LPW
Input Voltage	AC100-277V
Frequency	50-60Hz
Power Supply Efficiency	90%
Rated Life	50,000 hrs.
Power Factor	More than 0.99
LED Type	SMD 2835
Housing	Nano All Plastic Lens

WARRANTY

This product has a warranty for a period of 5 years from the date of purchase. The warranty is invalid in the case of improper installation, tampering, or removal of the Q.C. date label. Installation in an improper working environment or installation not according to the current edition of the National Electric Code also invalidates the warranty. Should this product fail during the warranty period, it will be replaced free of charge, subject to correct installation and return of the faulty unit. JL Lighting does not accept responsibility for any installation costs associated with the replacement of this product. This warranty is in addition to the statutory rights in the country of purchase. JL Lighting reserves the right to alter specifications without prior notice.

HL LED T8 TUBE

High Lumen Nano All Plastic, Double-Ended



PRODUCT SPECIFICATION

Model Number	Housing	Length	Wattage	Color	Lumens	Input Voltage	QTY/CTN
ZY-T8P-10W600 BIDT	Nano Plastic	24"	10W	3000K-5000K	1300	AC100-277V	42pcs/CTN
ZY-T8P-10W900 BIDT	Nano Plastic	36"	10W	3000K-5000K	1300	AC100-277V	42pcs/CTN
ZY-T8P-10W1200 BIDT	Nano Plastic	48"	10W	3000K-5000K	1300	AC100-277V	42pcs/CTN
ZY-T8P-12W1200 BIDT	Nano Plastic	48"	12W	3000K-5000K	1650	AC100-277V	42pcs/CTN
ZY-T8P-15W1200 BIDT	Nano Plastic	48"	15W	3000K-5000K	1950	AC100-277V	42pcs/CTN

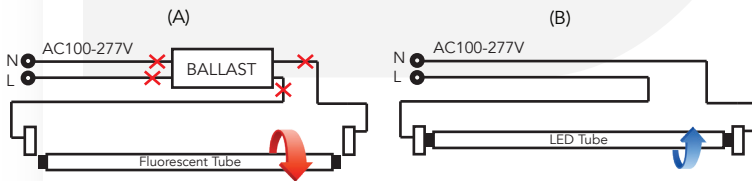
ORDERING GUIDE

ZY	T8P	10W/12W/15W	600/900/1200	B	I	DT	3000K-5000K
Company Code	Housing Type	Wattage	Length	2835 LED	Internal Driver	Input Type	CCT

INSTALLATION INSTRUCTIONS

Retrofit Procedure:

1. Turn OFF power to the fixture at the breaker panel before installation.
2. Open the diffuser from the light fixture.
3. Remove the fluorescent tubes and dispose of these properly as they may contain mercury.
4. Cut wires and remove (A).
5. Make new wire connection to the branch circuit as shown on diagram (B) below.
6. Replace the cover over the wiring channel.
7. Install the LED tubes and close the diffuser.
8. Switch ON power to the fixture at the breaker panel



CAUTION

- Risk of fire- do not install this lamp in a pre-heated luminaire.
- Loose or damaged end caps and/or lamp holders need to be replaced before installation.
- Risk of electric shock- make installation with gloves.
- Use only in place of fluorescent lamps specified on label or as a retrofit kit.
- These lamps are not intended for use with emergency exists.
- These lamps are to be used with a light dimmer.
- If the lamp or luminaire exhibits undesirable operation (i.e. buzzing, flickering, etc.), immediately turn off power and remove the lamp from luminaire and contact manufacturer.
- This lamp only operates on electronic ballasts. If lamp does not light when the luminaire is energized, remove this lamp from luminaire and contact manufacturer.
- Check the ballast installed in the field and make sure the ballast is in manufacturer's ballast list. If the ballast out of the list, a test must be needed before mass installation.
- Do not make mass installation before sample testing.