

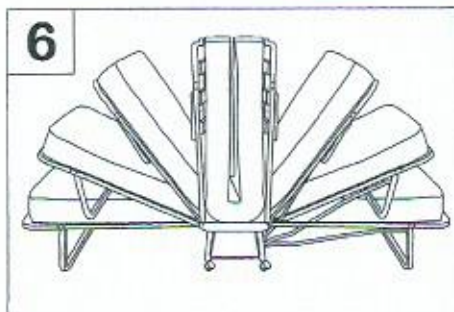
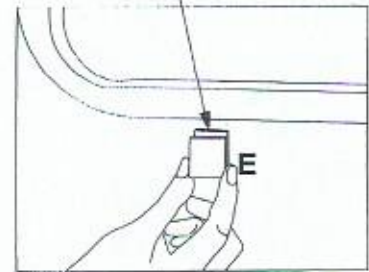
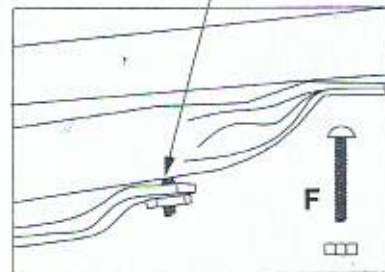
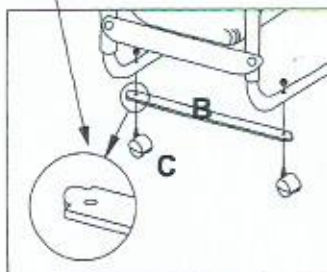
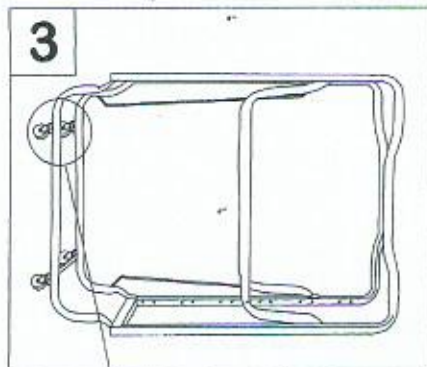
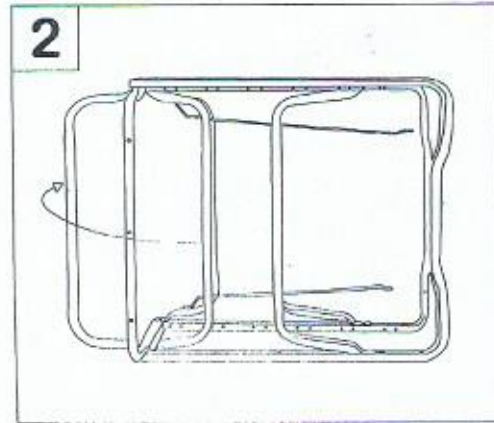


LINON HOME DECOR PRODUCTS, INC.

# ASSEMBLY INSTRUCTIONS

READ ALL INSTRUCTIONS THOROUGHLY BEFORE COMMENCING ASSEMBLY

Contents		
A		X1
B		X1
C		X4
		X4
D		X1
E		X4
		X2
F		X2
		X2



Read instructions before beginning assembly on bed:  
Carefully remove outer plastic wrap, cardboard and cut plastic bands.

Open bed and remove hardware package.

Image 1: Close bed and snap clip-lock bar (Item A)

Image 2: Lay folded bed on one side and open two center legs.

Image 3: Place the flat side of the leg cross bar (Item B) across the center legs, aligning holes of cross bar with holes in legs. Insert caster (Item C) into hole and secure using nut (Item C). Tighten with wrench (Item D).

Image 4: Attach cross bar to the outer leg using screw and nut (Item F). Tighten with wrench (Item D). This enables the outer legs to open automatically when you open bed.

Image 5: Stand bed upright and attach four plastic caps by inserting them into the predrilled holes in each outer leg (Item E).

Image 6: The bed legs should open and close automatically now and it should be ready for use.

**ATTENTION:** Remove plastic wrap from mattress before use.

**How To Use Bed:**

Release the clip lock bar on the top of the folding bed by pulling upwards.

**HOLD HANDLES ON TOP OF THE BED FIRMLY TO PREVENT BED FROM OPENING TOO QUICKLY.**

Slowly lower ONE side of the bed until the leg rest firmly on the floor.

Lower opposite side of the bed until legs rest firmly on the floor.

Bed is now fully open. After use, fold bed and secure with the clip lock bar.