



LED EP16-2000ew

Part #: EBP16DM/B/6W/400/38D/30K/GU10/EW Bulb Class: PAR16



Product Description

LED EP16-2000ew delivers superior brightness, valuable energy savings, long lasting performance and true color perception. This flood PAR16 LED bulb is ideal for accent lighting due to its focal *soft white light (3000K) replacing conventional 50 Watt incandescent bulbs. Built-in MCOB LED Technology offers exceptional light uniformity, energy efficiency, and optimal heat dissipation guaranteeing durability and constant bulb performance. Enjoy features such as: instant on, dimming options, shatter resistance, mercury free and 90+ CRI.



Estimated Energy Cost: \$0.72 per year



MCOB
LED TECHNOLOGY

50W
REPLACEMENT

*Note: Design, features and specifications subject to change without notice. Some features may not be available on all models. For more information regarding dimmer compatibility please visit: www.eurilighting.com or call 1-888-743-5766

Specifications

Input Power	Input Voltage	Lumen Output	Beam Angle	Center Beam	CCT
6 W	120 V	400 lm	38°	632 cd	3000 K
CRI	Luminous Efficacy	Power Factor	Input Current	Base/Cap	Lamp Lifespan
91	66 lm/W	0.9	0.05 A	GU10	25,000 Hrs.

Product Features



Dimmable



Instant-On/Off

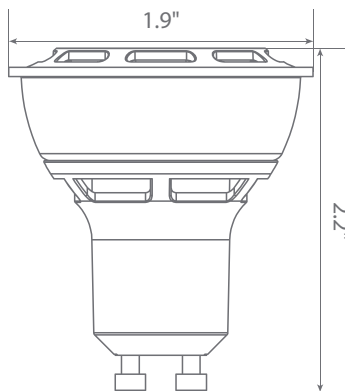


Mercury Free

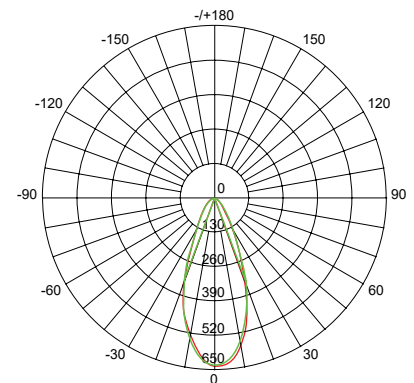


Damp Rated

Product Dimensions



Product Photometric Data



Euri Lighting | A Division of ITRONIX Inc.

20900 Normandie Bldg. Suite B Torrance, CA 90502 | Tel: 888.743.5766 | Fax: 310.787.1166 | www.eurilighting.com

©2017 Euri Lighting. All Rights Reserved