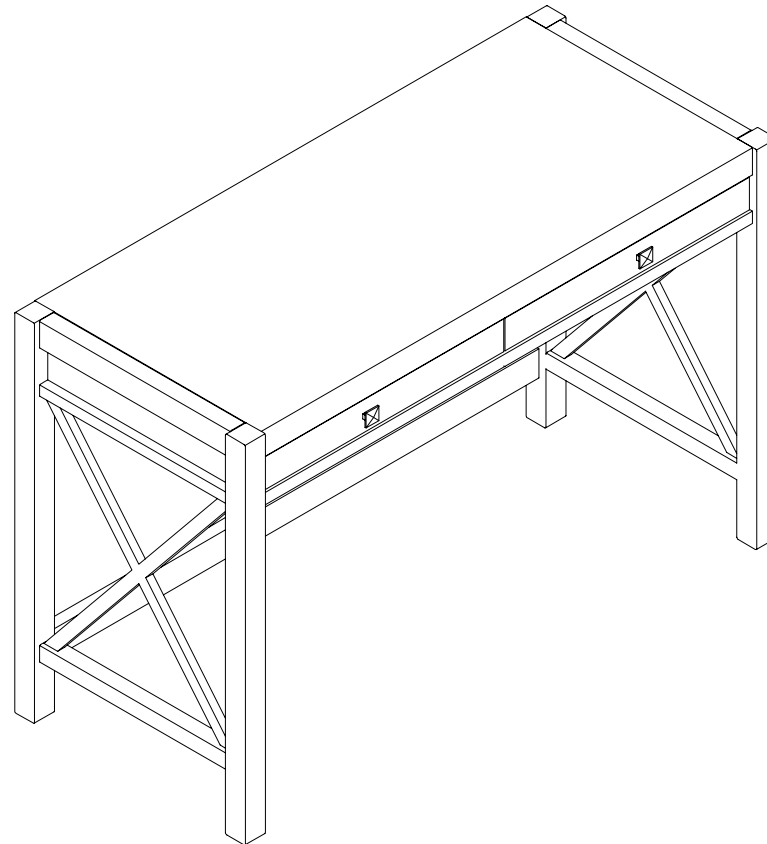


DELANO DESK - ANTIQUE BLACK

style # 86105C124-01-KD-U

dpci # 242-17-0505



>>assembly instructions

Congratulations on your latest Target purchase.

Now what ? Don't start sweating over this box of parts. This will be easy.

We did the hard work for you.

All you need to do is follow our simple instructions and you'll be on your way to transforming your room in no time. Good luck - though we're confident you won't need it.

before you begin

1. Check for damaged or missing parts. Call 1-800-262-1852 to order missing supplies.
2. Use the carton as a working surface to prevent product damage during assembly.
3. Gather all tools prior to assembly.

tools needed

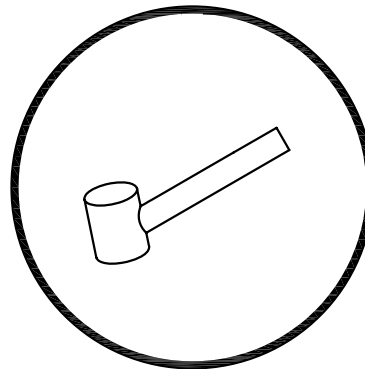
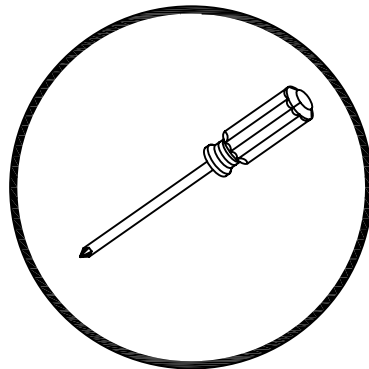
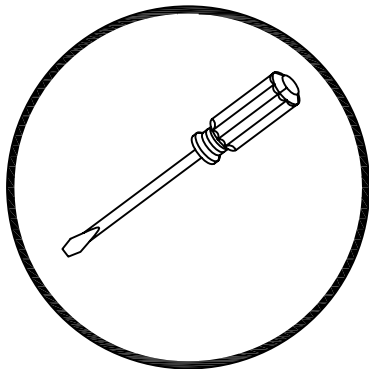


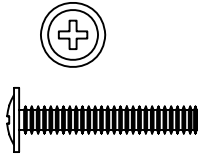
table of contents

.....

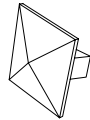
introduction	2
hardware	4
parts list	5
how to use the cam lock system	6
assembly	7-14

hardware

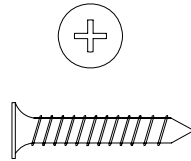
(A) x 4
bolt
M4



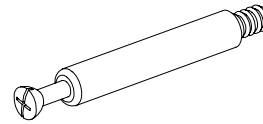
(B) x 2
knob



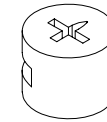
(C) x12
samll screw
Ø3.5x25mm



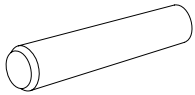
(D) x 8
cam bolt
44mm



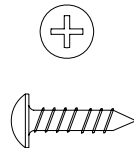
(E) x 8
cam lock
Ø15x12mm



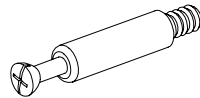
(F) x 10
wood dowel
Ø8x30mm



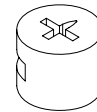
(G) x 16
samll screw
Ø3x15



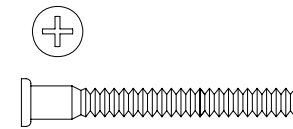
(H) x 2
small cam bolt
27mm



(I) x 2
small cam lock
Ø13.5x10.5mm

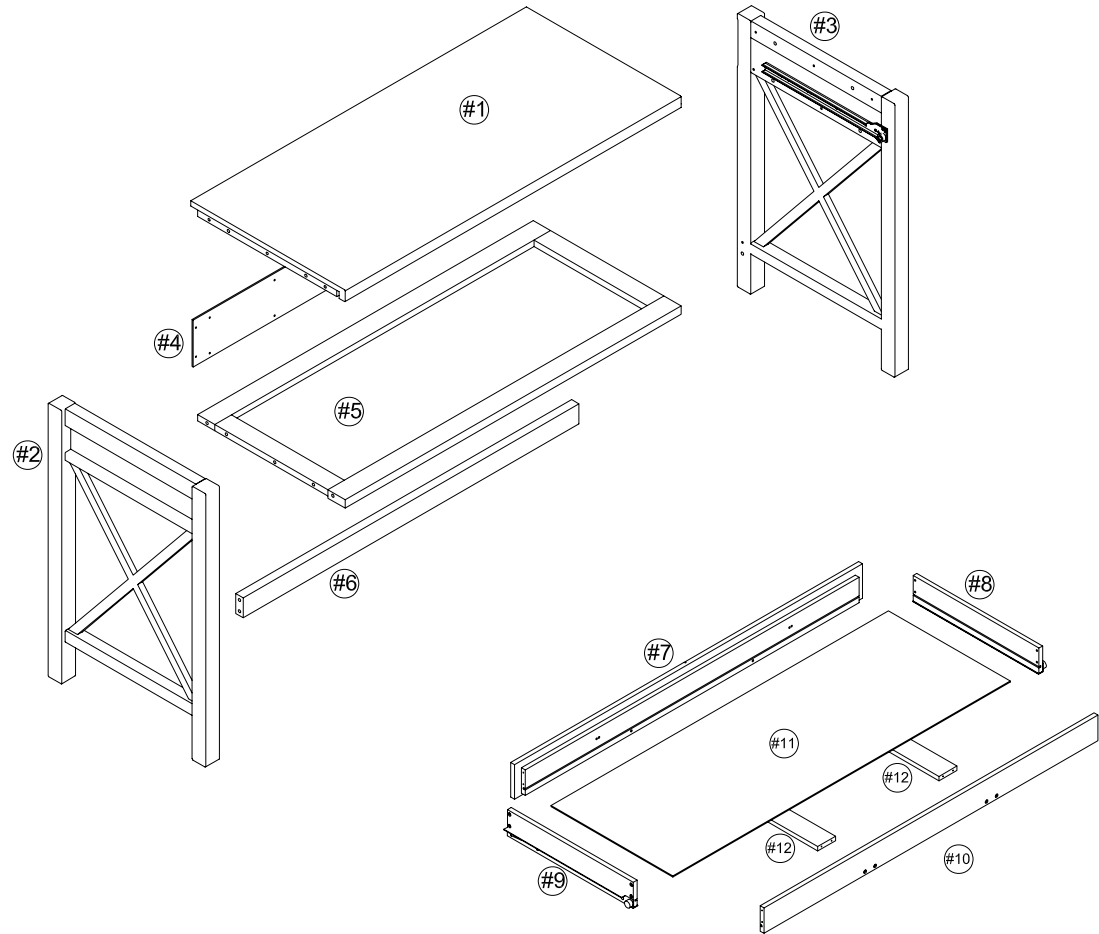


(J) x 6
screw
Ø7x38mm



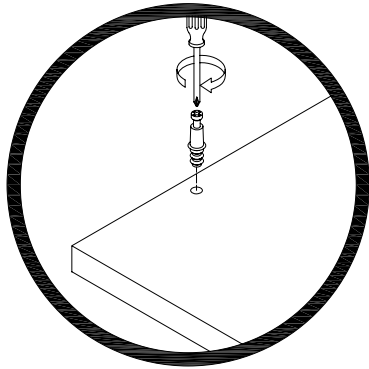
ITEM	DESCRIPTION	QUANTITY
------	-------------	----------

#1	top panel	1
#2	left side	1
#3	right side	1
#4	back panel	1
#5	bottom frame	1
#6	back rail	1
#7	drawer front	1
#8	left drawer side	1
#9	right drawer side	1
#10	drawer back	1
#11	drawer bottom	1
#12	drawer rail	2

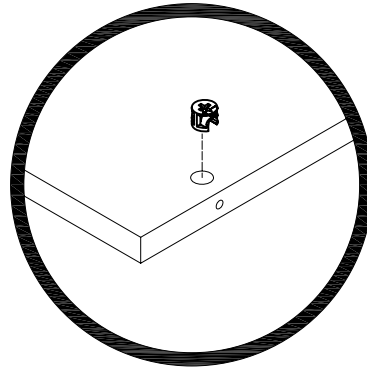


how to use the cam lock system

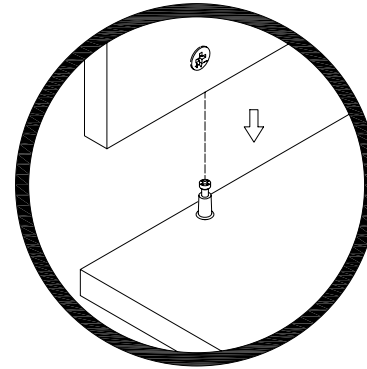
1.



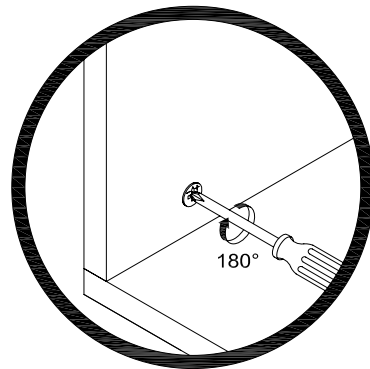
2.



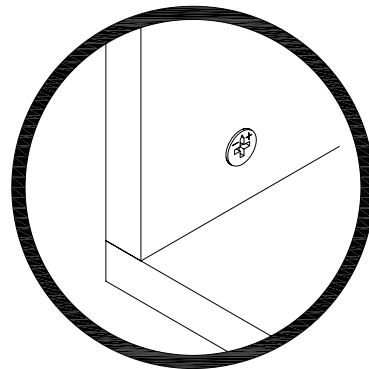
3.



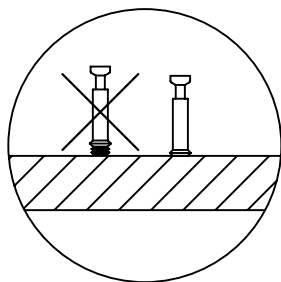
4.



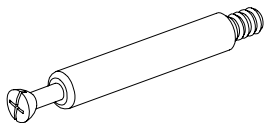
5.



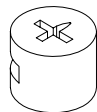
step 1.



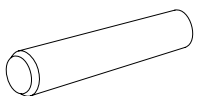
(D) x 4
cam bolt
44mm



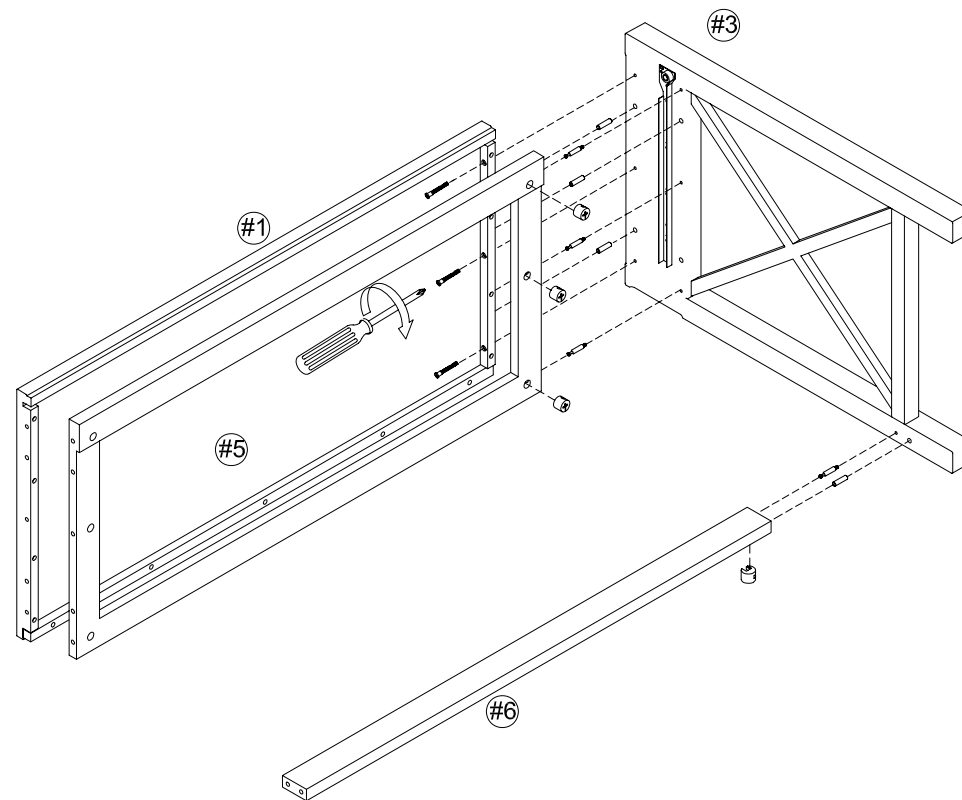
(E) x 4
cam lock
Ø15x12mm



(F) x 5
wood dowel
Ø8x30mm

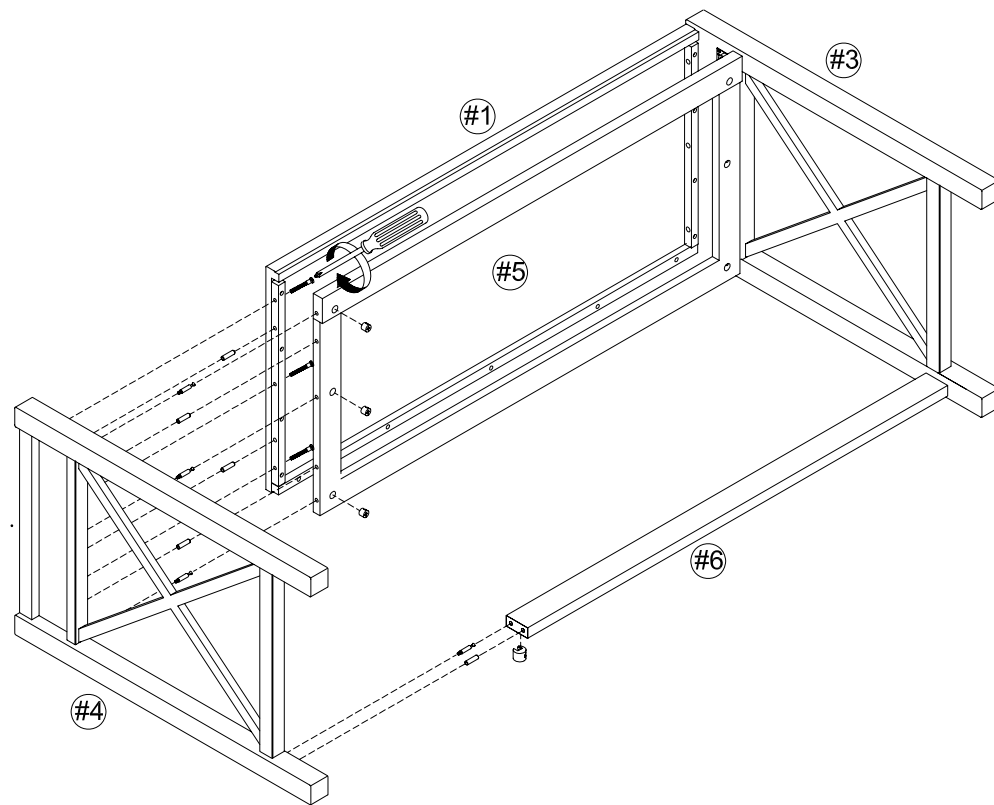
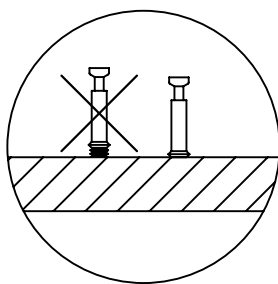


(J) x 3
screw
Ø7x38mm

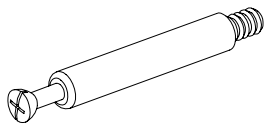


1. Screw-in cam bolts must be screwed down flush.

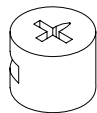
step 2.



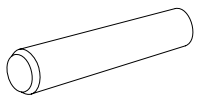
(D) x 4
cam bolt
44mm



(E) x 4
cam lock
Ø15x12mm



(F) x 5
wood dowel
Ø8x30mm

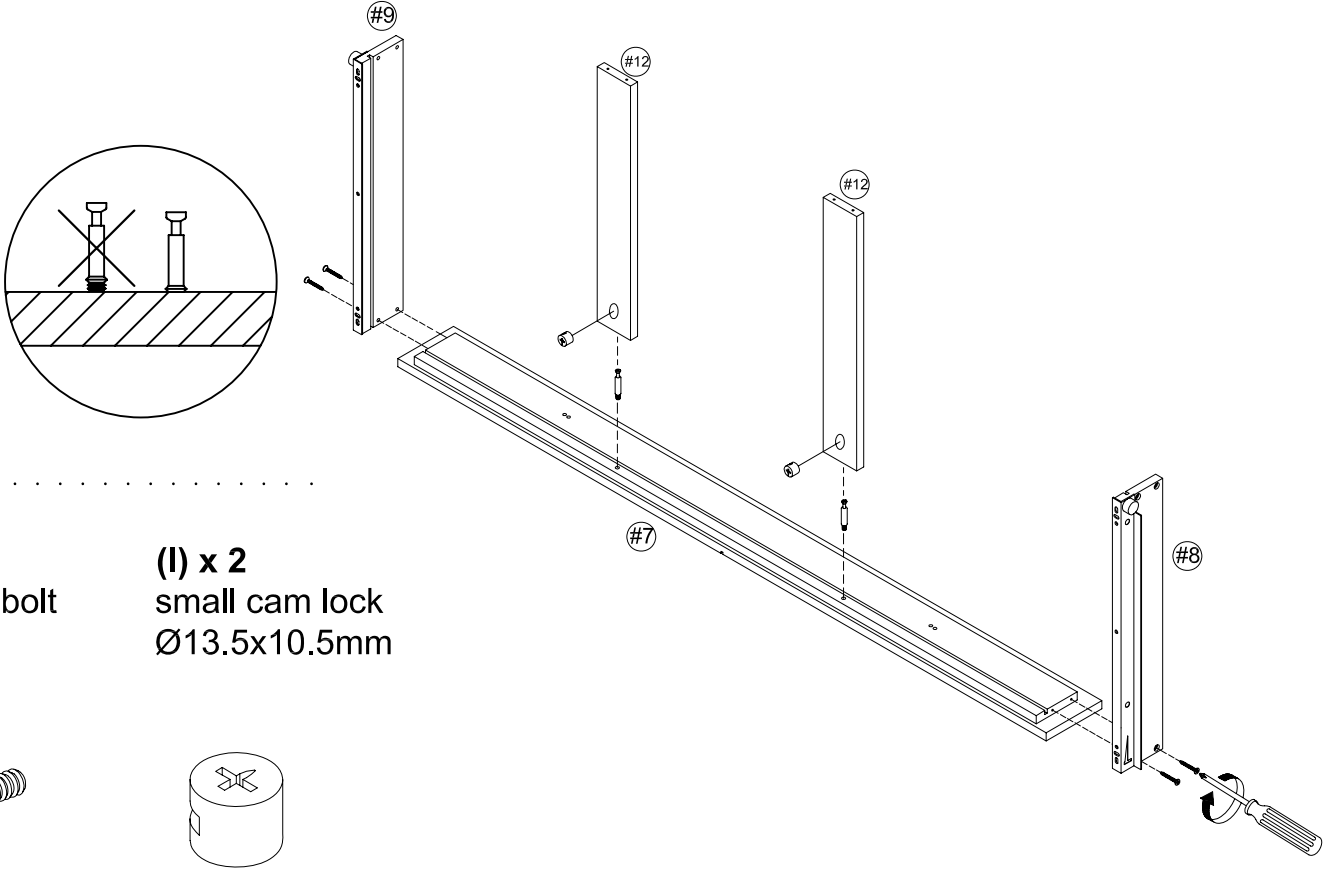


(J) x 3
screw
Ø7x38mm



1. Screw-in cam bolts must be screwed down flush.

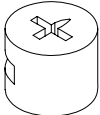
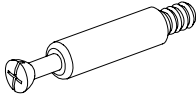
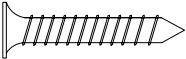
step 3.



(C) x4
small screw
Ø3.5x25mm

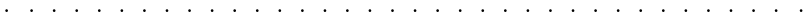
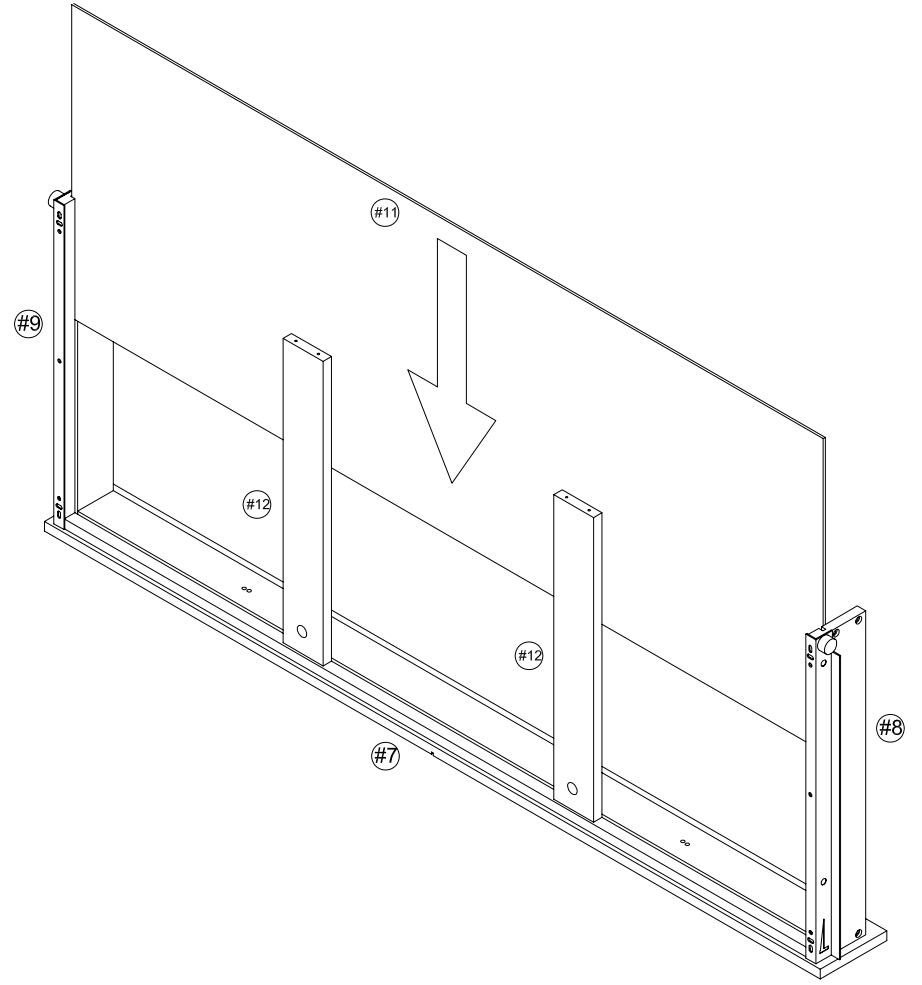
(H) x 2
small cam bolt
27mm

(I) x 2
small cam lock
Ø13.5x10.5mm

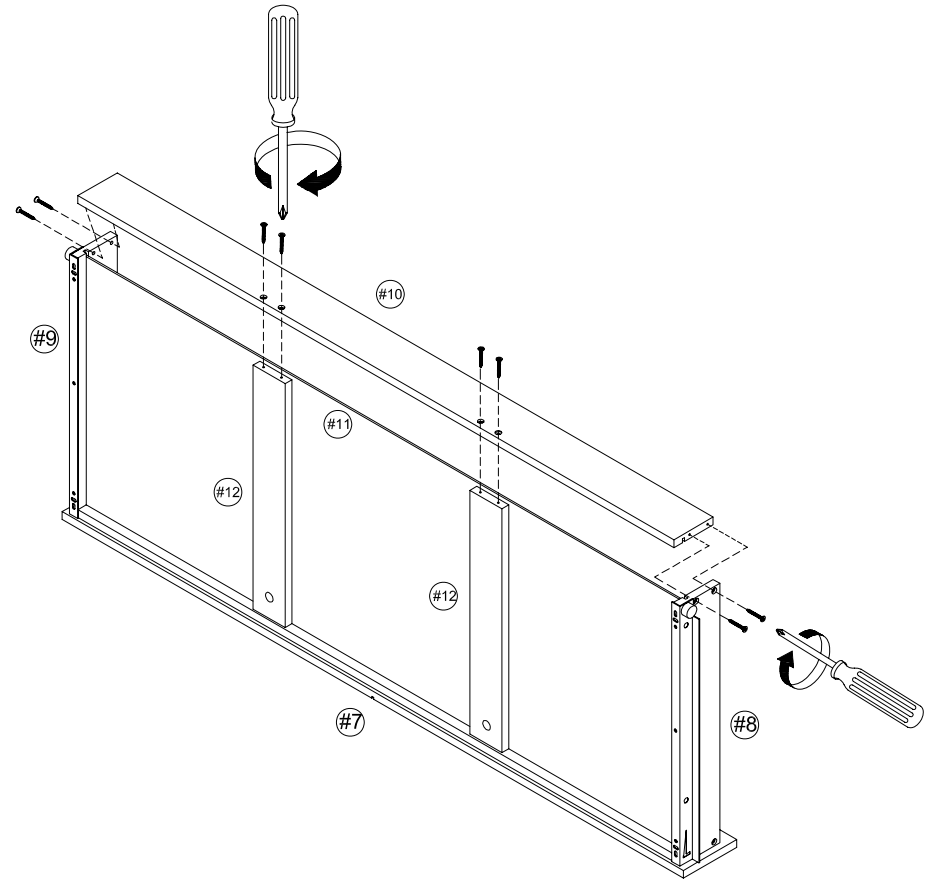


1. Screw-in cam bolts must be screwed down flush.

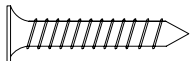
step 4.



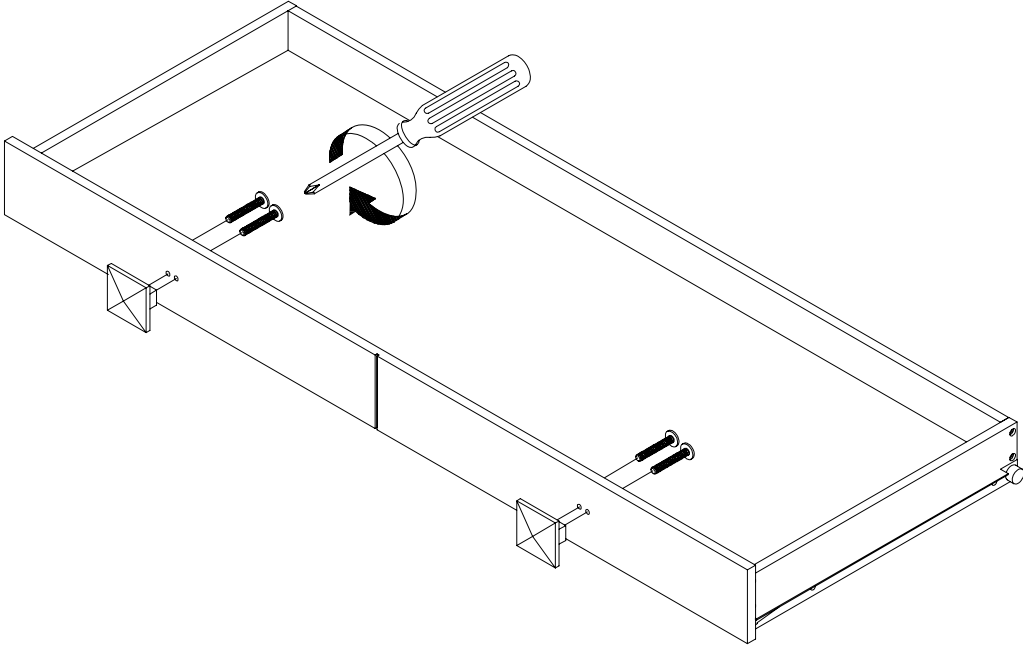
step 5.



(C) x8
small screw
Ø3.5x25mm

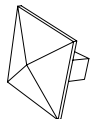


step 6.

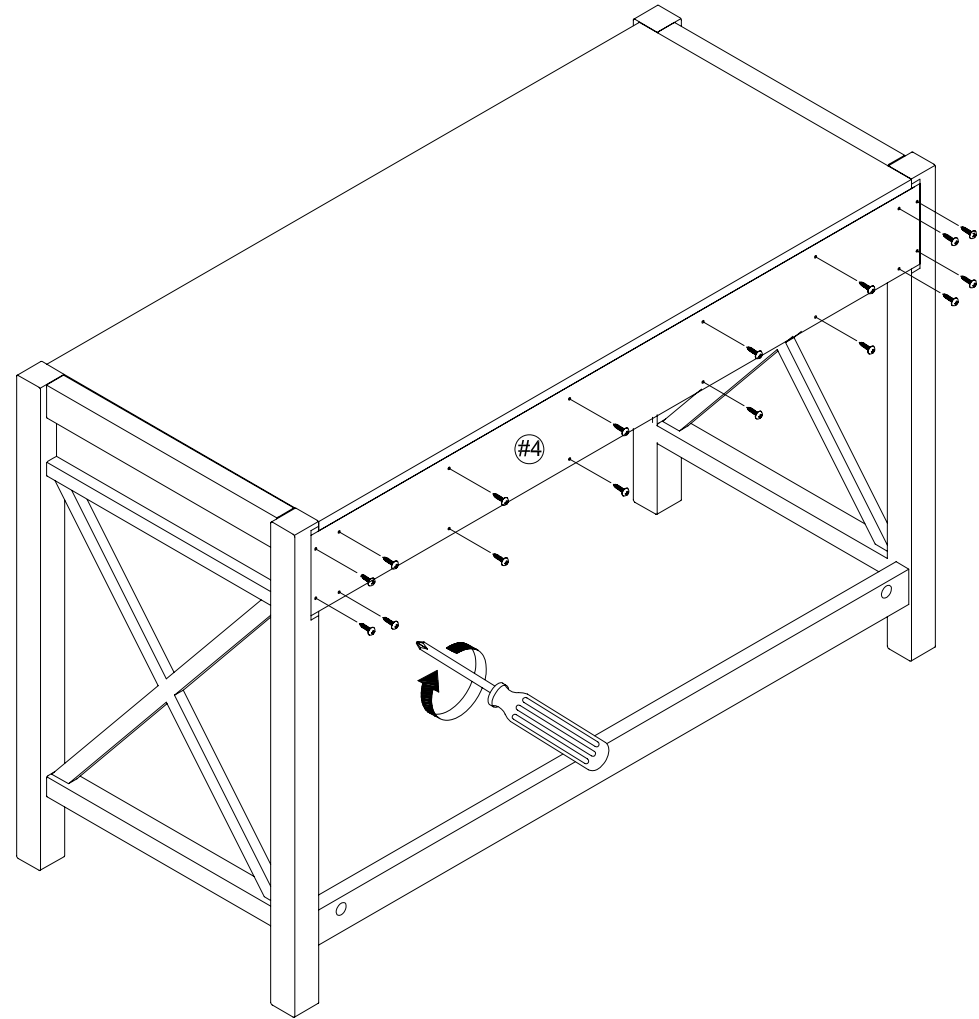


(A) x 4
bolt
M4

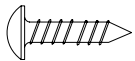
(B) x 2
knob



step 7.



(G) x 16
small screw
Ø3x15



step 8.



WARNING

Serious or fatal crushing injuries can occur from furniture tip-over. To help prevent tip-over:

- Place heaviest items in the lowest drawers.
- Unless specifically designed to accommodate, do not set TVs or other heavy objects on the top of this product.
- Never allow children to climb or hang on drawers, doors, or shelves.
- Do not defeat or remove the drawer interlock system.

Use of tip-over restraints may only reduce, but not eliminate, the risk of tip-over.

This is a permanent label. Do not attempt to remove!

