

## LUNERA CFL LED GX23

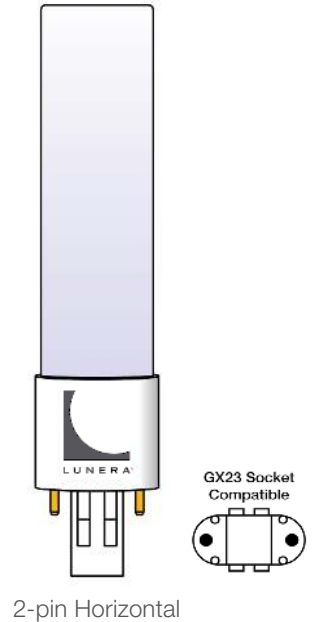
5W LED Replacement for a 2-pin Compact Fluorescent Lamp  
Type A Ballast Driven and Type B Ballast Bypassed

### Description

The **LUNERA CFL LED GX23** is both a Type A, ballast driven and Type B, ballast bypassed LED replacement for a 13W 2-pin CFL compact fluorescent lamp with a GX23 socket. The LUNERA CFL LED GX23 is universally compatible with 13W GX23 magnetic ballasts and 120V-277V 50/60Hz ballast bypass operation.

These lamps have a Color Rendering Index of 82 and deliver up to 580 lumens of usable light. The LUNERA CFL LED GX23 is available in 2700K, 3000K, 3500K, and 4000K color temperatures.

This lamp is rated at 50,000 hours and backed by a five-year warranty.



### Features

- Directly replaces 2-pin 13W GX23 CFLs with a 5W LED
- Supports both Type A - Ballast Driven and Type B - Ballast Bypass Installation
- Delivers 580 lumens of usable light
- >80 CRI
- CCT 2700K, 3000K, 3500K and 4000K
- 50,000 hours to L70 Lifespan
- 5 Year Warranty

Check Ballast Compatibility\*:  
<http://bit.ly/Lunera-Ballast-Lists>



### Ordering Information

Example: HN-H-GX23-U-5W-830-G4

Series	Version	Socket Type	Power Supply	Lamp Wattage	CCT	Generation
<b>HN</b> Lunera CFL LED	<b>H</b> Horizontal	<b>GX23</b> 2-pin GX23 Socket	<b>U</b> Universal Lamp Supports GX23 Magnetic Ballast and 120V-277V	<b>5W</b> Replaces 13W GX23 CFLs	<b>827:</b> 2700K <b>830:</b> 3000K <b>835:</b> 3500K <b>840:</b> 4000K	<b>G4</b> 4th Generation

PROJECT	CONTACT	MODEL NO.
REFERENCE NO.	QUANTITY	DATE

## Product Specifications

### Illumination

Color Temperatures	2700K, 3000K, 3500K, 4000K
Delivered Lumens:	Up to 580lm
CRI	>80
Color Consistency	Lunera TruColor LED Selection
Lumen Maintenance (L70)	50,000+ hours life

### Electrical System

Power Factor	> 90%
Total Harmonic Distortion	< 20%
Input Voltage	UNIVERSAL: Lamp can be driven by magnetic GX23 ballast or the ballast can be bypassed and the lamp driven directly by 120V-277V 50/60Hz AC line voltage
Surge Protection	Complies with ENERGY STAR LED lamp transient protection (7 strikes of a 2.5kV 100kHz ring wave)
Average Lamp Power	5W
Total Power (Lamp + Ballast)	5W + 0.2W for ballast
Lamp Wattage Replaced	13W + 3W for ballast
Dimming*	For line driven only - Check for compatibility on 120V TRIAC dimmers

### Physical

Weight	0.1 lbs
Housing and Finish	Thermoplastic, White
Optics	Optical Acrylic Diffusion

### Environment

Ambient Operating Temp	-40°F to 100°F (-40°C to 40°C)
Ambient Operating Humidity	Dry and Damp Certified
Max Heat Sink Temp	221°F (105°C)

### Installation

Socket Type	GX23 2-Pin CFL socket
-------------	-----------------------

### Certifications & Qualifications

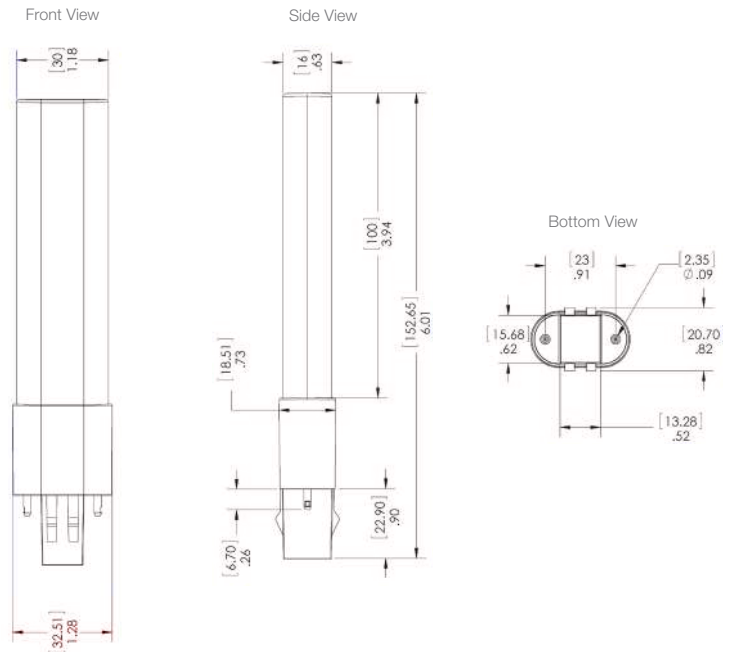
UL (US and Canada)	Listed (UL1993) & Classified (UL1598-C)
RoHS Compliant	Contains no lead or mercury
FCC**	Compliant with Parts 15A/B
LM79, LM80, IES Files	Available. Contact Lunera.

### Warranty

Warranty	5 years
----------	---------

\*\*Operation is subject to the following conditions:  
(1) this device may not cause harmful interference, and  
(2) this device must accept any interference received, including interference that may cause undesired operations.

## Dimensions



## Application Notes

The Lunera CFL LED may be used in open or fully enclosed fixtures. Indoors or outdoors.

\* For a list of non-dimming and dimming ballasts that have been tested for compatibility with this product, visit <http://bit.ly/Lunera-Ballast-Lists>. If your ballast is not listed, contact Lunera Technical Support at 408-495-5600.

## CAUTION

TURN POWER OFF WHEN INSTALLING THIS LAMP.

**CAUTION** - IF THE LAMP OR LUMINAIRE EXHIBITS UNDESIRABLE OPERATION (BUZZING, FLICKERING, ETC.), IMMEDIATELY TURN OFF POWER, REMOVE LAMP FROM LUMINAIRE AND CONTACT MANUFACTURER.