

## LUNERA T8 LED U-BEND

15W/18W LED Replacement for Bi-Pin T8 U-Bend Fluorescent Lamp  
Type B - Ballast Bypassed

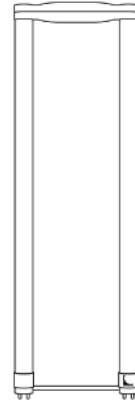
### Description

The **LUNERA T8 LED U-BEND** is a (Type B, ballast bypassed) T-LED replacement for a Bi-Pin T8 U-Bend (G13) fluorescent lamp up to 32W. Its built-in universal driver allows lamp operation at 120V ~ 277V.

This LED lamp emits beautiful light with a 330° Beam Angle, has a Color Rendering Index (CRI) of 83 and delivers up to 1,800 lumens (15W) or 2,200 lumens (18W) of usable light. The LUNERA T8 LED U-BEND features a glass tube for improved optics and is available in 3000K, 3500K, 4000K and 5000K color temperatures. Both a 6-inch or 1-5/8-inch gap configuration are available.

The LUNERA T8 LED U-BEND lamp is rated at 50,000 hours and is backed by a five-year warranty. It does not contain mercury allowing for non-hazardous waste disposal.

This is a Type B lamp. The lamp does not support operation with a fluorescent T8 ballast and the Non-Shunted G13 sockets must be wired into AC line voltage.



6" Gap  
(T8UL-version)



1-5/8" Gap  
(T8US-version)

### Features

- Directly replaces up to 32W/31W/29W/28W/25W (G13) Bi-Pin T8 U-Bend fluorescent lamps with 15W or 18W LED
- Type B Lamp - Ballast Bypassed; supports 120V ~ 277V
- Delivers up to 1,800 (15W) and 2,200 (18W) lumens of usable light
- >80 CRI
- CCT 3000K, 3500K, 4000K and 5000K
- 50,000 hours life to L70
- 5 Year Warranty



6" Gap version;  
Excl 3000K

Example: HN-T8UL-L-22-15W-830-G1

### Ordering Information

Series	Socket Type	Power Supply	Dimension	Lamp Wattage	CCT	Generation
<b>HN</b> Lunera T8 LED U-Bend	<b>T8UL</b> U-Bend Bi-Pin T8 socket (G13) 6" apart. (Non-Shunted)	<b>L</b> Ballast Bypass Supports 120V~277V	<b>22</b> 22 inch tube	<b>15W</b> Replaces up to 32W with 1,800lm (UL) or 1,700lm (US)	<b>830:</b> 3000K <b>835:</b> 3500K <b>840:</b> 4000K <b>850:</b> 5000K	<b>G1:</b> 1st Generation Frosted
	<b>T8US</b> U-Bend Bi-Pin T8 socket (G13) 1 5/8" apart. (Non-Shunted)			<b>18W</b> Replaces up to 32W with 2,200lm (UL) or 2,100lm (US)		

PROJECT	CONTACT	MODEL NO.
REFERENCE NO.	QUANTITY	DATE

## Product Specifications

### Illumination

Color Temperatures	3000K, 3500K, 4000K, 5000K	
T8UL (6"Gap)	Up to 1,800lm (15W)	Up to 2,200lm (18W)
T8US (1-5/8" Gap)	Up to 1,700lm (15W)	Up to 2,100lm (18W)
CRI	>80	
Color Consistency	Lunera TruColor LED Selection	
Lumen Maintenance (L70)	50,000+ hours life	

### Electrical System

Power Factor	> 90%
Total Harmonic Distortion	< 20%
Input Voltage	120VAC ~ 277VAC
Total Power*	15W 18W
Lamp Wattage Replaced	Up to 32W
Dimming	No

### Physical

Weight	0.50 lbs
Housing and Finish	Glass, White
Optics	Optical Glass Diffusion
Beam Angle / Beam Spread	330° / 230°

### Environment

Ambient Operating Temp	-40°F to 104°F (-40°C to 40°C)
Ambient Operating Humidity	Dry and Damp Certified

### Installation

Socket Type	G13, Medium Bi-Pin T8 socket (Non-Shunted tombstones)
Line Voltage	Yes, [120V~277V]

### Certifications & Qualifications

UL (US and Canada)	Classified (UL1598-C)
RoHS Compliant	Contains no lead or mercury
FCC**	Compliant with Parts 15A/B
LM79, LM80, IES Files	Available. Contact Lunera.
DesignLights Consortium Listed	Yes, 4.2 (6" Gap version; Excl. 3000K)

### Warranty

Warranty	5 years
----------	---------

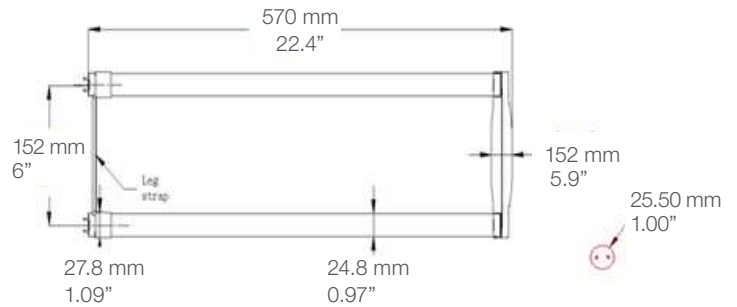
## CAUTION

Turn power OFF when installing the lamp.

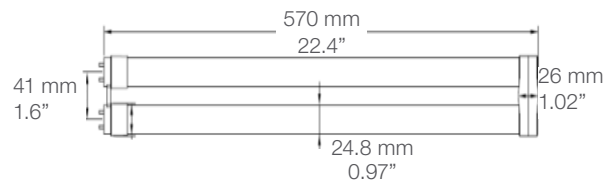
**CAUTION** - IF THE LAMP OR LUMINAIRE EXHIBITS UNDESIRABLE OPERATION (BUZZING, FLICKERING, ETC.), IMMEDIATELY TURN OFF POWER, REMOVE LAMP FROM LUMINAIRE AND CONTACT MANUFACTURER.

## Dimensions

### U-Bend with 6" apart G13 sockets



### U-Bend with 1 5/8" apart G13 sockets



## Application Notes

This lamp does NOT support Shunted tombstones. Shunted tombstones must be removed and replaced with Non-Shunted tombstones.

**Product warranty will be voided** under the following conditions or if installed into the following applications:

- Lamp installed into luminaires with input voltage above 277V
- Lamp installed in a gasketed (sealed) fixture
- Incorrect wiring configuration to the lamp
- Lamp installed into fluorescent ballasts or LED Drivers
- Lamp installation into shunted socket
- Lamp installation into cracked, broken, dirty or rusty tombstones

\* Total Power equals Lamp Power since ballast is bypassed or removed

- \*\* Operation is subject to the following conditions:
- (1) this device may not cause harmful interference, and
  - (2) this device must accept any interference received, including interference that may cause undesired operations.

## Electrical Connection

Lunera T8 LED U-Bend driven by 120V/277V 60Hz AC.

