



# LED SP30-1000h

Part #: SBPAR30DM/111W/900/40D/30K/E26 **Bulb Class:** PAR30 (Long Neck)



## Product Description

**LED SP30-1000h** delivers superior brightness, valuable energy savings and long lasting performance. This Flood LED PAR30 Class bulb is ideal for task lighting due to its uniform \*soft white light (3000K) and replaces conventional 75 Watt incandescent bulbs. Enjoy features such as: instant on, dimming options, shatter resistance, mercury free and damp rated.



**Estimated Energy Cost:** \$1.32 per year

\*Note: Design, features and specifications subject to change without notice. Some features may not be available on all models. For more information regarding dimmer compatibility please visit: [www.eurilighting.com](http://www.eurilighting.com) or call 1-888-743-5766

## Specifications

Input Power	Input Voltage	Lumen Output	Beam Angle	Center Beam	CCT
11 W	AC 120 V	900 lm	40°	N/A	3000 K
CRI	Luminous Efficacy	Power Factor	Input Current	Base/Cap	Lamp Lifespan
80	81 lm/W	0.7	N/A	E26	25,000 Hrs.

### Product Features



Dimmable



Instant-On/Off

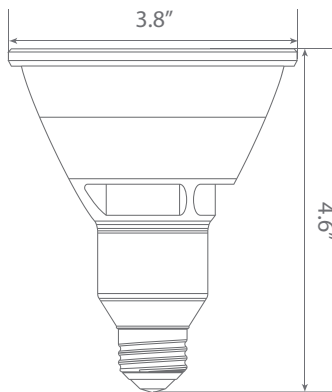


Mercury Free

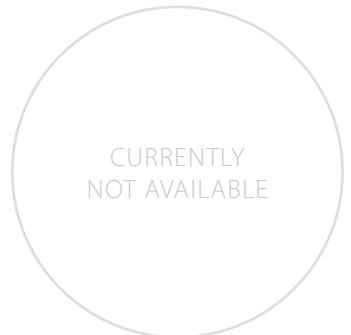


Energy Efficient

### Product Dimensions



### Product Photometric Data



**Euri Lighting** | A Division of **IRTRONIX** Inc.

635 Hawaii Ave. Torrance CA 90503 | Tel: 888.743.5766 | Fax: 310.787.1166 | [www.eurilighting.com](http://www.eurilighting.com)  
©2016 Euri Lighting. All Rights Reserved