

LED MAGIC NANO

Nano All Plastic Lens Tube

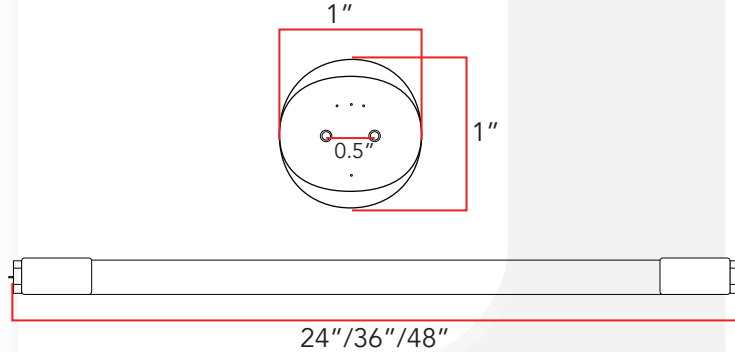


The LED Magic Tube serves as a special energy efficient replacement for traditional fluorescent T8 lamps. Designed to operate on instant-start electronic ballasts.



*Nano All Plastic Lens

DIMENSIONS



CERTIFICATIONS



FEATURES

- Works both with or without a ballast
- Can be direct wire connection
- Fantastic replacement "plug and play" tube or retrofit kit
- Suitable for damp or dry environments
- Minimize labor and recycling costs
- Stable lumen output for different ballast brands with different ballast factors
- UL Type A & B
- Globally patented technology
- 5 Year Manufacturer's Warranty

COMMON TECHNICAL DATA

Color Temperature	2700K to 5000K
Beam Angle	320 Degrees
Color Consistency	4 Steps
CRI	> 80
Operation Temperature	-30°C to 40°C
Efficiency with ballast	More than 120 LPW
Efficiency without ballast	More than 125 LPW
Input Voltage with ballast	100-277VAC, 347 V
Input Voltage without ballast	100-277VAC
Frequency	50-60Hz
Power Factor	More than 0.99
Rated Life	50,000 hours
LED Type	SMT2835
Housing	Nano All Plastic Lens

WARRANTY

This product has a warranty for a period of 5 years from the date of purchase. The warranty is invalid in the case of improper installation, tampering, or removal of the Q.C. date label. Installation in an improper working environment or installation not according to the current edition of the National Electric Code also invalidates the warranty. Should this product fail during the warranty period, it will be replaced free of charge, subject to correct installation and return of the faulty unit. JL Lighting does not accept responsibility for any installation costs associated with the replacement of this product. This warranty is in addition to the statutory rights in the country of purchase. JL Lighting reserves the right to alter specifications without prior notice.

LED MAGIC NANO

Nano All Plastic Lens Tube



PRODUCT SPECIFICATION

Product Number	Length (inch)	Color	Bare Lamp (Watt)	Lumens	QTY/CTN	Average System Watts (W)			Average System Initial Lumens		
						Low Ballast Factor (0.78)	Norm Ballast Factor (0.88)	High Ballast Factor (1.10)	Low Ballast Factor (0.78)	Norm Ballast Factor (0.88)	High Ballast Factor (1.10)
ZY-T8P-10W600 BIXX	24"	3500K-5000K	10W	1500	42pcs/CTN	9.2	10.5	12.5	1150	1350	1500
ZY-T8P-15W600 BIXX	24"	3500K-5000K	15W	2136	42pcs/CTN	14.2	16.5	17.8	1704	1980	2136
ZY-T8P-12W1200 BIXX	48"	3500K-5000K	12W	1980	42pcs/CTN	12.5	15.5	16.5	1500	1860	1980
ZY-T8P-15W1200 BIXX	48"	3500K-5000K	15W	2136	42pcs/CTN	14.2	16.5	17.8	1704	1980	2136

ORDERING GUIDE

ZY	T8P	10W/12W/15W	600/1200	B	I	XX	3000K-5000K
Company Code	Housing Type	Wattage	Length	2835 LED	Internal Driver	Input Type	CCT

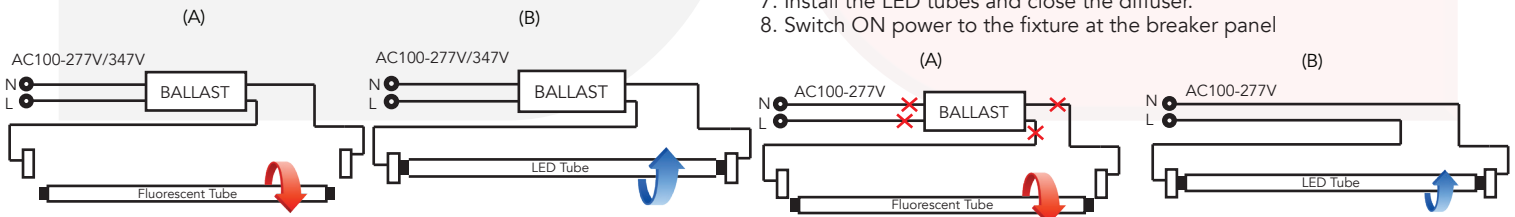
INSTALLATION INSTRUCTIONS

Direct Replacement Procedure:

1. Turn OFF power to the fixture at the breaker panel before installation.
2. Open the diffuser from the light fixture.
3. Remove the fluorescent tubes (A) and dispose of these properly as they may contain mercury.
4. Put LED tube (B) into the lighting fixture and ensure the pins are firmly seated in lamp holders.
5. Install the LED tubes and close the diffuser.
6. Switch ON power to the fixture at the breaker panel

Retrofit Procedure:

1. Turn OFF power to the fixture at the breaker panel before installation.
2. Open the diffuser from the light fixture.
3. Remove the fluorescent tubes and dispose of these properly as they may contain mercury.
4. Cut wires and remove (A).
5. Make new wire connection to the branch circuit as shown on diagram (B) below.
6. Replace the cover over the wiring channel.
7. Install the LED tubes and close the diffuser.
8. Switch ON power to the fixture at the breaker panel



CAUTION

- Risk of fire- do not install this lamp in a pre-heated luminaire.
- Loose or damaged end caps and/or lamp holders need to be replaced before installation.
- Risk of electric shock- make installation with gloves.
- Use only in place of fluorescent lamps specified on label or as a retrofit kit.
- These lamps are not intended for use with emergency exists.
- These lamps are not to be used with a light dimmer.
- If the lamp or luminaire exhibits undesirable operation (i.e. buzzing, flickering, etc.), immediately turn off power and remove the lamp from luminaire and contact manufacturer.
- This lamp only operates on electronic ballasts. If lamp does not light when the luminaire is energized, remove this lamp from luminaire and contact manufacturer.
- Check the ballast installed in the field and make sure the ballast is in manufacturer's ballast list. If the ballast out of the list, a test must be needed before mass installation.
- Do not make mass installation before sample testing.