

LUNERA MH LED HORIZONTAL

400W or 250W/175W LED Replacement for Metal Halide Lamps

Type A - Ballast Driven (E39/EX39 Mogul Base)

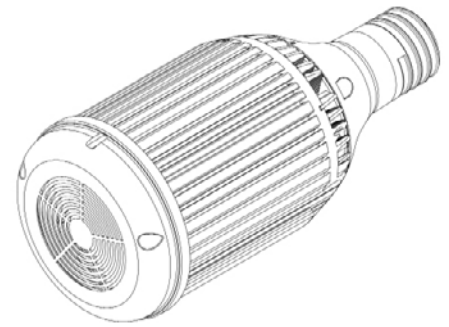
Description

The **LUNERA MH LED HORIZONTAL** 400W or 250W/175W are plug and play (Type A, ballast driven) replacements for Metal Halide (MH) lamps with mogul (E39) base. With a significantly lower energy consumption than conventional MH lamps, this LED lamp replaces 400W or 250W/175W MH lamps and delivers up to 14,800 lumens of beautiful LED light.

Lunera's BallastLED technology making the lamp truly plug-and-play by allowing it to operate directly off of the existing metal halide CWA ballast. Simply replace the existing MH lamp with the Lunera MH LED Horizontal without making any modifications to the fixture.

This lamp incorporates both a fan for active cooling and Thermal IQ, a proprietary Lunera technology which uses airflow convection and thermal dimming to keep the lamp cool, enabling it to operate reliably up to 150°F ambient.

The Lunera MH LED Horizontal is available in 3500K, 4000K and 5000K color temperatures. It has a rated life of 50,000 hours and is backed by a 5-year warranty.



Clear Lens

400W or
250W/175W

Features

- Replaces 400W or 250W/175W Metal Halide (MH) lamps
- Plug and Play installation with existing installed MH CWA ballasts
- Delivers up to 14,800 (145W) or 9,200 (92W) / 7,900 (82W) lumens of usable light > 80
- CCT 3500K, 4000K and 5000K
- Supports E39/EX39 mogul base HID sockets
- Thermal IQ to support ambient temperatures up to 150°F
- 50,000 hours to L70 lifespan

MH Lamp Wattage Replaced	CWA Ballast Type	Lunera Lamp	
		Lamp Wattage	Max Lumens
400W	M59	145W	14,800
250W	M58	92W	9,200
175W	M57	82W	7,900

Check Ballast Compatibility*:

<http://bit.ly/Lunera-MH-Ballasts>



Ordering Information

Example: SN-H-E39-400W-320W-4000-G2-S

Series	Version	Socket Type	Lamp Wattage Replaced	CCT	Generation
SN: Lunera MH LED Horizontal	H: Horizontal	E39: Fits in mogul (E39) base MH socket	400W-320W: 145W @ 14,800lm replaces 400W/320W 250W-175W: 92W @ 9,200lm replaces 250W 82W @ 7,900lm replaces 175W	3500: 3500K 4000: 4000K 5000: 5000K	G2-S: 2nd Generation Clear Lens

PROJECT	CONTACT	MODEL NO.
REFERENCE NO.	QUANTITY	DATE

Product Specifications - Horizontal Mount Lamp - 400W Version

400W (M59) Ballast / 14,800lm	
Illumination	
Color Temperatures	3500K, 4000K, 5000K
Lumens	Up to 14,800
Color Consistency	Lunera TruColor LED Selection
Lumen Maintenance (L70)	50,000+ hours life
Electrical System	
Input Voltage*	MH CWA ballast
Lamp Power	145W
System Power**	189W
Ballast Types Supported	Check at http://bit.ly/Lunera-MH-Ballasts
Lamp Wattage Replaced	400W
Dimming***	No
Physical	
Dimensions (H x W)	9.4" x 8.3"
Weight	2.5 lbs
Housing and Finish	Painted
Lens	Clear
Environment	
Ambient Temperature****	-40°F to 150°F
Humidity Rating	Damp OK, no direct water spray
Fixture Type	Open or enclosed
Installation	
Socket Type	Fits horizontal mount mogul base (E39/EX39) MH socket
Certifications & Qualifications	
UL (US & Canada)	Recognized
RoHS Compliant	Contains no lead or mercury
LM79, LM80, IES Files	Available. Contact Lunera.
Warranty	
Warranty	5 years

* Do NOT install this lamp into line voltage or with an LED driver.

** System Power equals lamp power + ballast power.

*** This lamp is not intended for dimming installations.

**** Thermal IQ is a proprietary Lunera technology which enables the Lunera MH LED Horizontal to operate reliably up to 150°F ambient by dimming itself at extreme temperatures based upon thermal characteristics of the fixture in which it has been installed.

Product Specifications - Horizontal Mount Lamp - 250W / 175W Version

	250W (M58) Ballast / 8,100lm	175W (M57) Ballast / 7,900lm
Illumination		
Color Temperatures	3500K, 4000K, 5000K	3500K, 4000K, 5000K
Lumens	Up to 9,200 lm	Up to 7,900 lm
Color Consistency	Lunera TruColor LED Selection	Lunera TruColor LED Selection
Lumen Maintenance (L70)	50,000+ hours life	50,000+ hours life
Electrical System		
Input Voltage*	MH CWA ballast	MH CWA ballast
Lamp Power	92W	82W
System Power**	250W	175W
Ballast Types Supported	Check at http://bit.ly/Lunera-MH-Ballasts	Check at http://bit.ly/Lunera-MH-Ballasts
Lamp Wattage Replaced	116W	103W
Dimming***	No	No
Physical		
Dimensions (H x W)	9.4" x 8.3"	9.4" x 8.3"
Weight	2.5 lbs	2.5 lbs
Housing and Finish	Painted	Painted
Lens	Clear	Clear
Environment		
Ambient Temperature****	-40°F to 150°F	-40°F to 150°F
Humidity Rating	Damp OK, no direct water spray	Damp OK, no direct water spray
Fixture Type	Open or enclosed	Open or enclosed
Installation		
Socket Type	Fits horizontal mount mogul base (E39/EX39) MH socket	Fits horizontal mount mogul base (E39/EX39) MH socket
Certifications & Qualifications		
UL (US & Canada)	Recognized	Recognized
RoHS Compliant	Contains no lead or mercury	Contains no lead or mercury
LM79, LM80, IES Files	Available. Contact Lunera.	Available. Contact Lunera.
DLC Qualified	No category.	No category.
Warranty		
Warranty	5 years	5 years

* Do NOT install this lamp into line voltage or with an LED driver.

** System Power equals lamp power + ballast power.

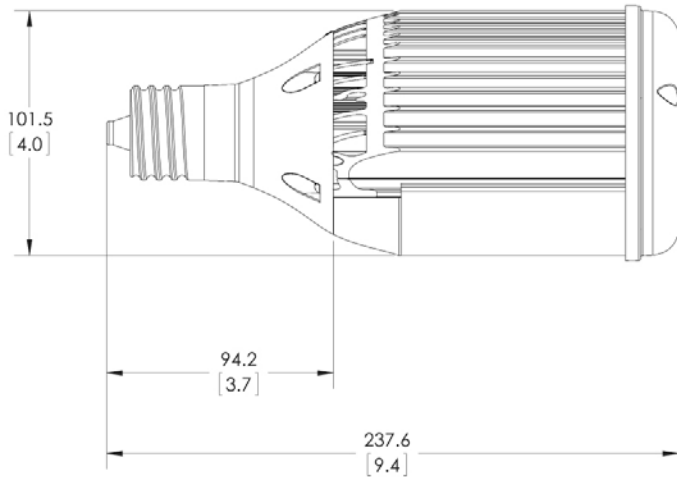
*** This lamp is not intended for dimming installations.

**** Thermal IQ is a proprietary Lunera technology which enables the Lunera MH LED Horizontal to operate reliably up to 150°F ambient by dimming itself at extreme temperatures based upon thermal characteristics of the fixture in which it has been installed.

Product Dimensions

Measurements are rounded up. Dimensions are shown in millimeters. Please contact your Lunera representative for exact dimensions.

[400] or [250W/175W]



Application Notes

- This product is NOT rated for direct installation into line voltage.
- Use this lamp with 400W, 250W and 175W CWA ballasts.
- Do NOT install this lamp with High Pressure Sodium ballasts, HX-HPF ballasts, or LED drivers.
- This lamp is suitable for installation into open or enclosed fixtures.

For a list of non-dimming ballasts that have been tested for compatibility with this product, visit <http://bit.ly/Lunera-MHBallasts>.

If your ballast is not listed, contact Lunera Technical Support at 408-495-5600.

CAUTION

- These lamps are NOT approved for use with line voltage.

