



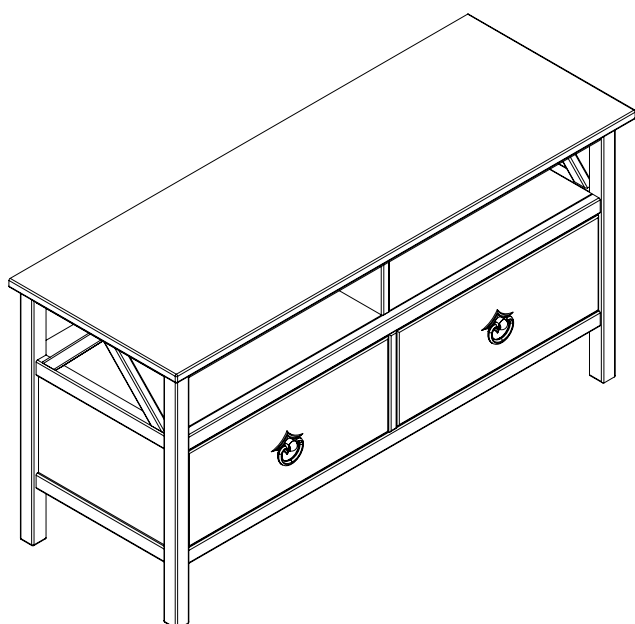
LINON HOME DECOR PRODUCTS, INC.

ASSEMBLY INSTRUCTIONS

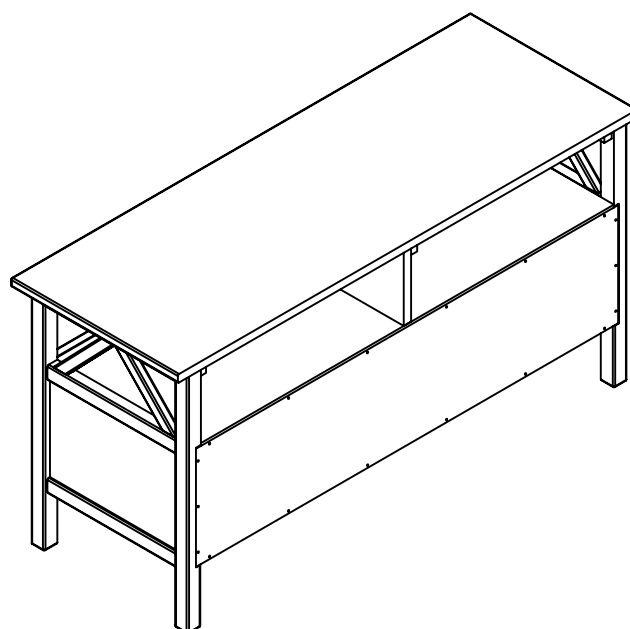
TITIAN TV STAND

MODEL# 86158ATOB-01-KD-U

Sears# 15393



Front view



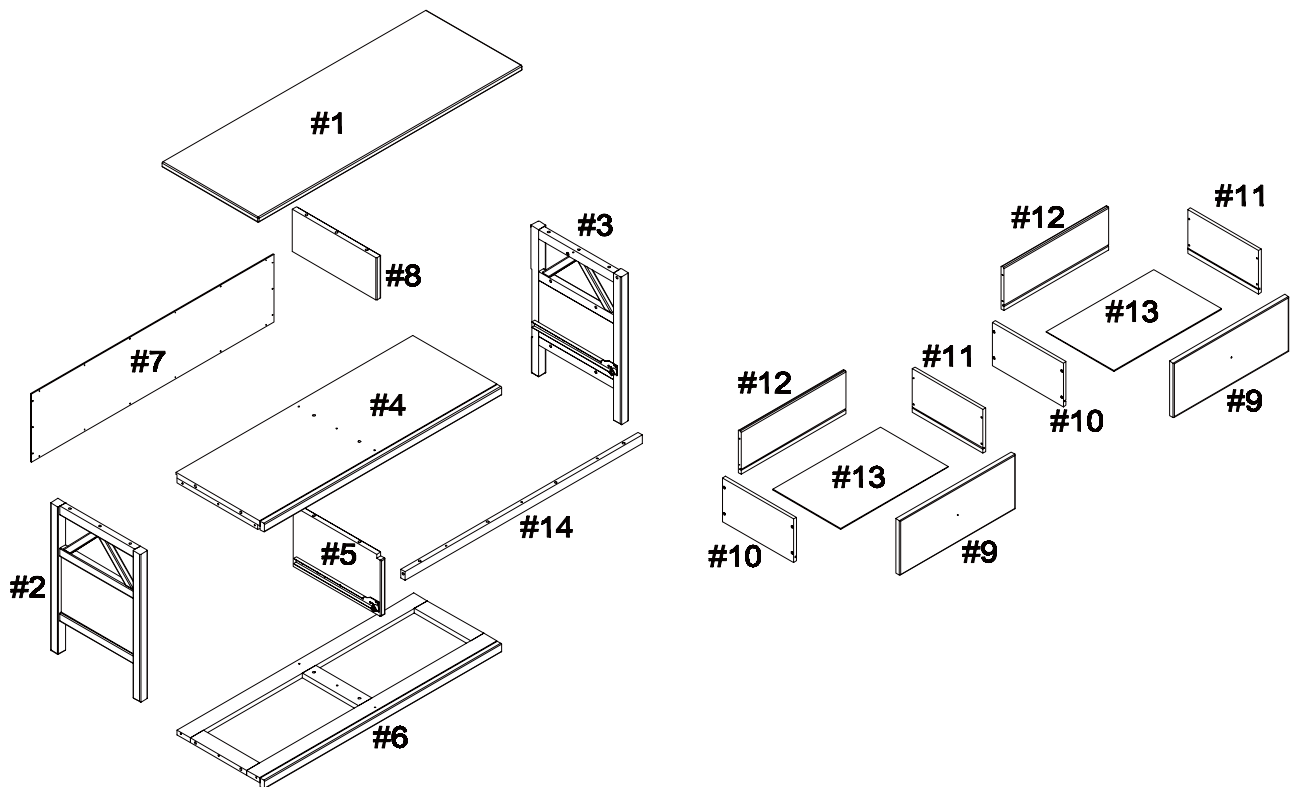
Back view



LINON HOME DECOR PRODUCTS, INC.

PARTS IDENTIFICATION

ITEM	DESCRIPTION	QTY
#1	TOP	01
#2	LEFT SIDE	01
#3	RIGHT SIDE	01
#4	SHELF	01
#5	BOTTOM CENTER SUPPORT	01
#6	BOTTOM FRAME	01
#7	BACK PANEL	01
#8	TOP CENTER SUPPORT	01
#9	DRAWER FRONT	02
#10	LEFT DRAWER SIDE	02
#11	RIGHT DRAWER SIDE	02
#12	DRAWER BACK	02
#13	DRAWER BOTTOM	02
#14	RAIL	01



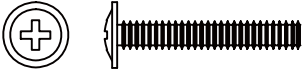




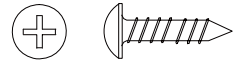
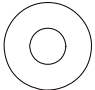
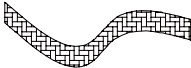
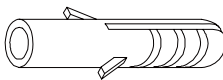
For ease of identification all parts are labeled to correspond to the Step number in which the part is used.



LINON HOME DECOR PRODUCTS, INC.

HARDWARE IDENTIFICATION

Please line up the hardware with the correct full size image to make sure you are installing the hardware correctly.

ITEM	PICTURE		DESCRIPTION	QTY
A		(Ø4) Not to Scale	LARGE BOLT	02
B		Not to Scale	KNOB	02
C		(Ø8x40mm) Full Size	WOOD DOWEL	02
D		(Ø8x30mm) Full Size	WOOD DOWEL	24
E		(Ø4x25mm) Full Size	SCREW	50
F		(Ø3x15mm) Full Size	SCREW	19
G		(Ø9mm) Full size	FLAT WASHER	02
H		Not to Scale	STRAP	01
I		(30mm) Not to Scale	WALL ANCHOR	01

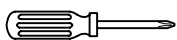
Tools required



Long screwdriver



Small
hammer



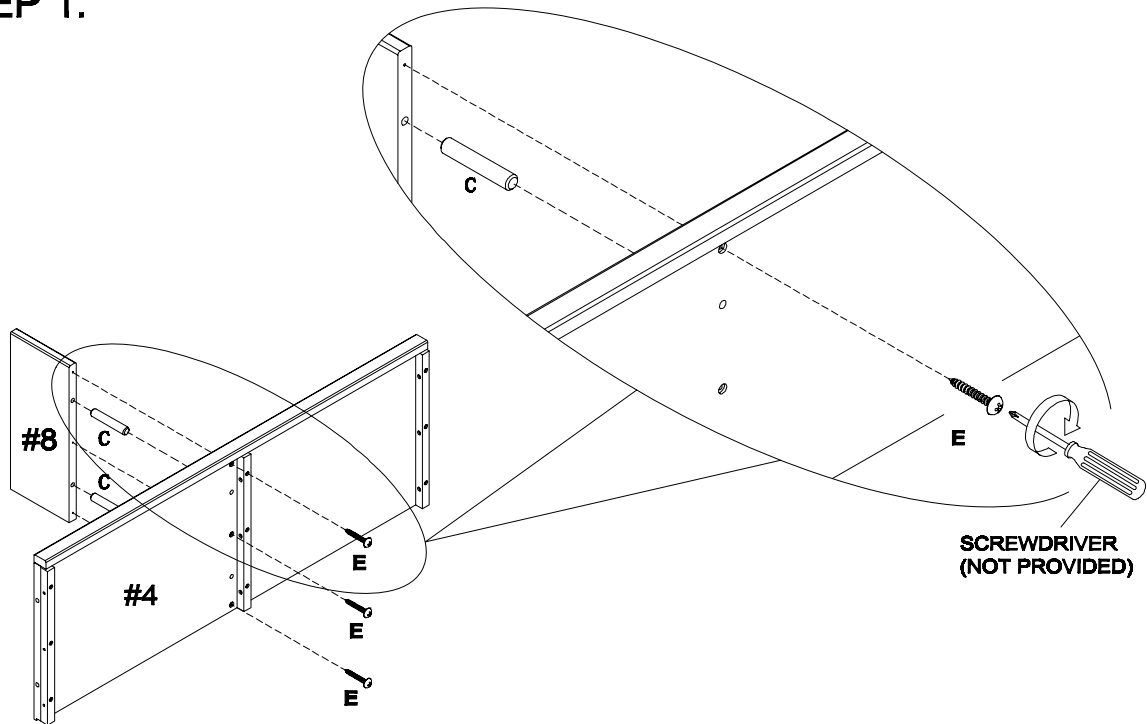
Short screwdriver



LINON HOME DECOR PRODUCTS, INC.

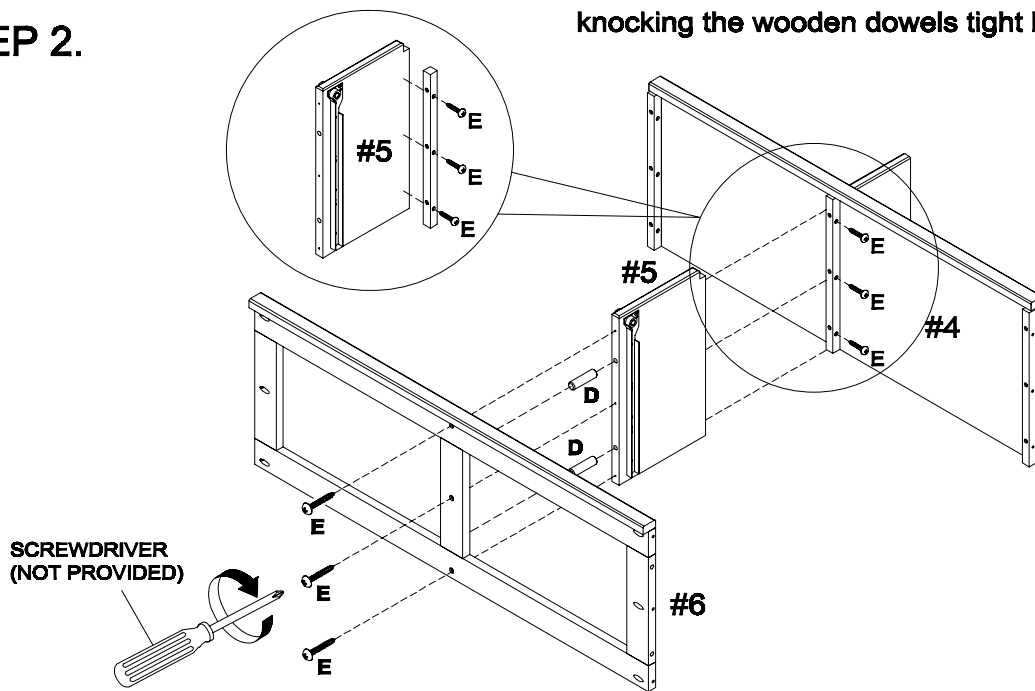
STEP 1.

knocking the wooden dowels tight by hammer



STEP 2.

knocking the wooden dowels tight by hammer



IMPORTANT:

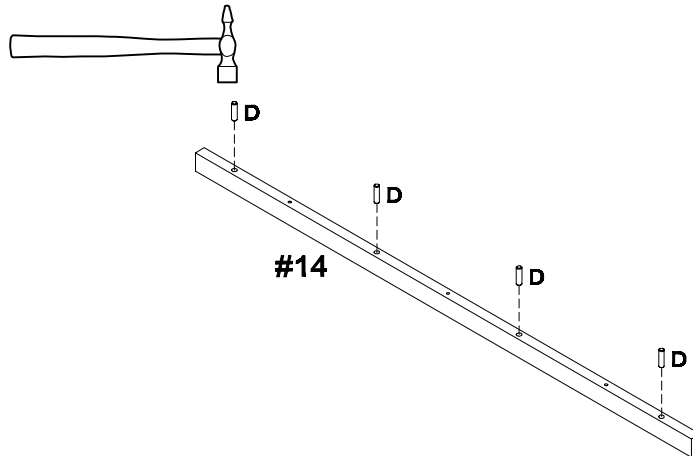
1. DO NOT TIGHTEN BOLTS COMPLETELY UNTIL ALL BOLTS ARE COMPLETELY LINED UP AND INSERTED INTO HOLES / NUTS.
2. DO NOT OVER TIGHTEN SCREWS AND BOLTS TO AVOID STRIPPING.



LINON HOME DECOR PRODUCTS, INC.

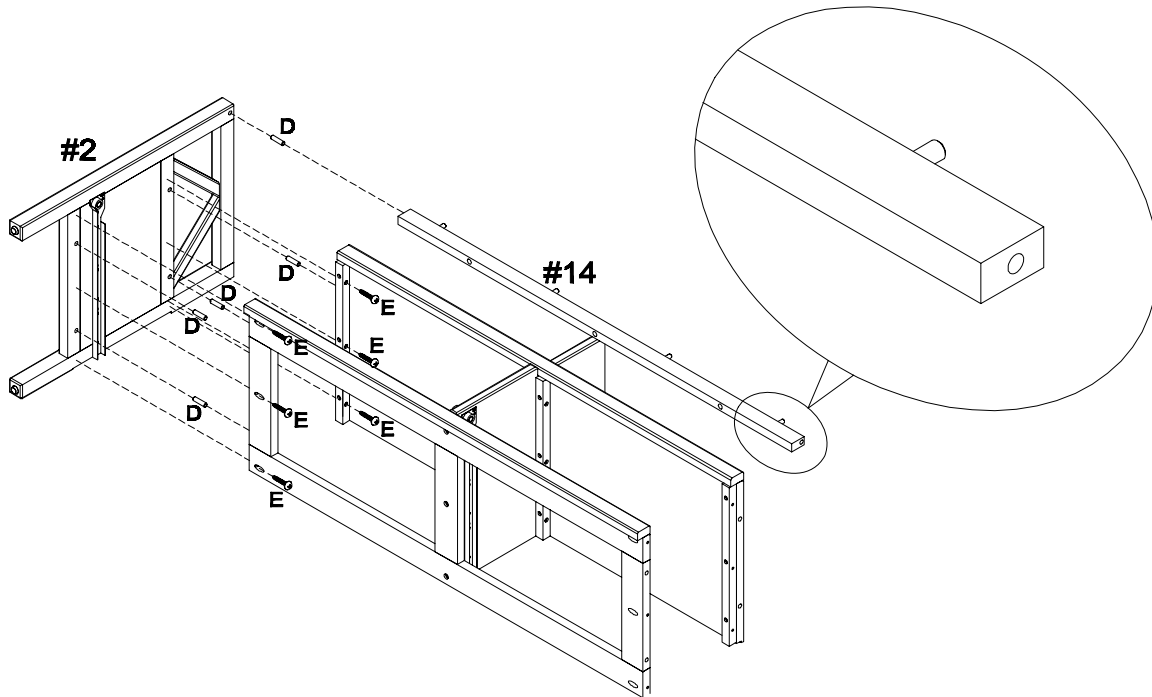
STEP 3.

knocking the wooden dowels tight by hammer



STEP 4.

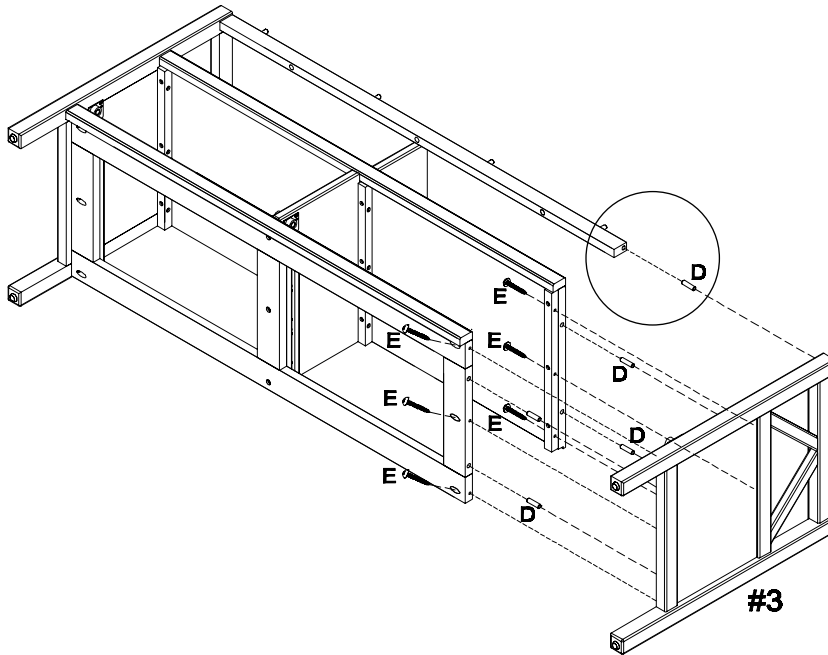
knocking the wooden dowels tight by hammer





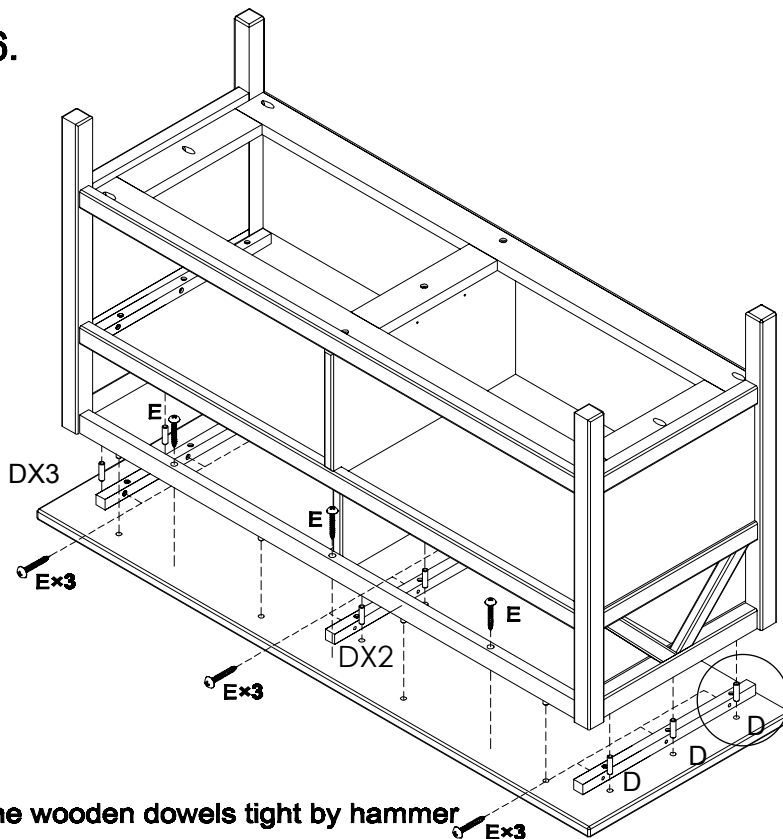
LINON HOME DECOR PRODUCTS, INC.

STEP 5.

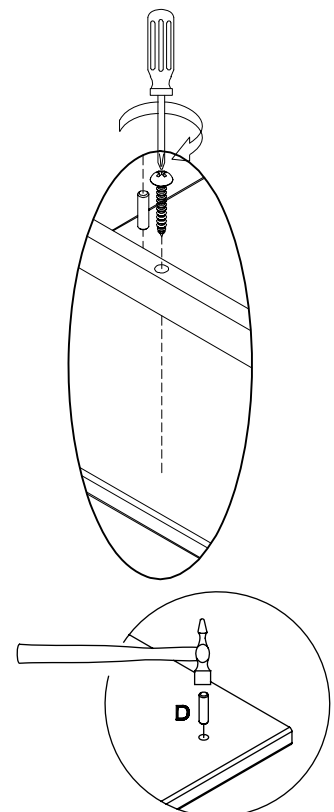


knocking the wooden dowels tight by hammer

STEP 6.



Short screwdriver

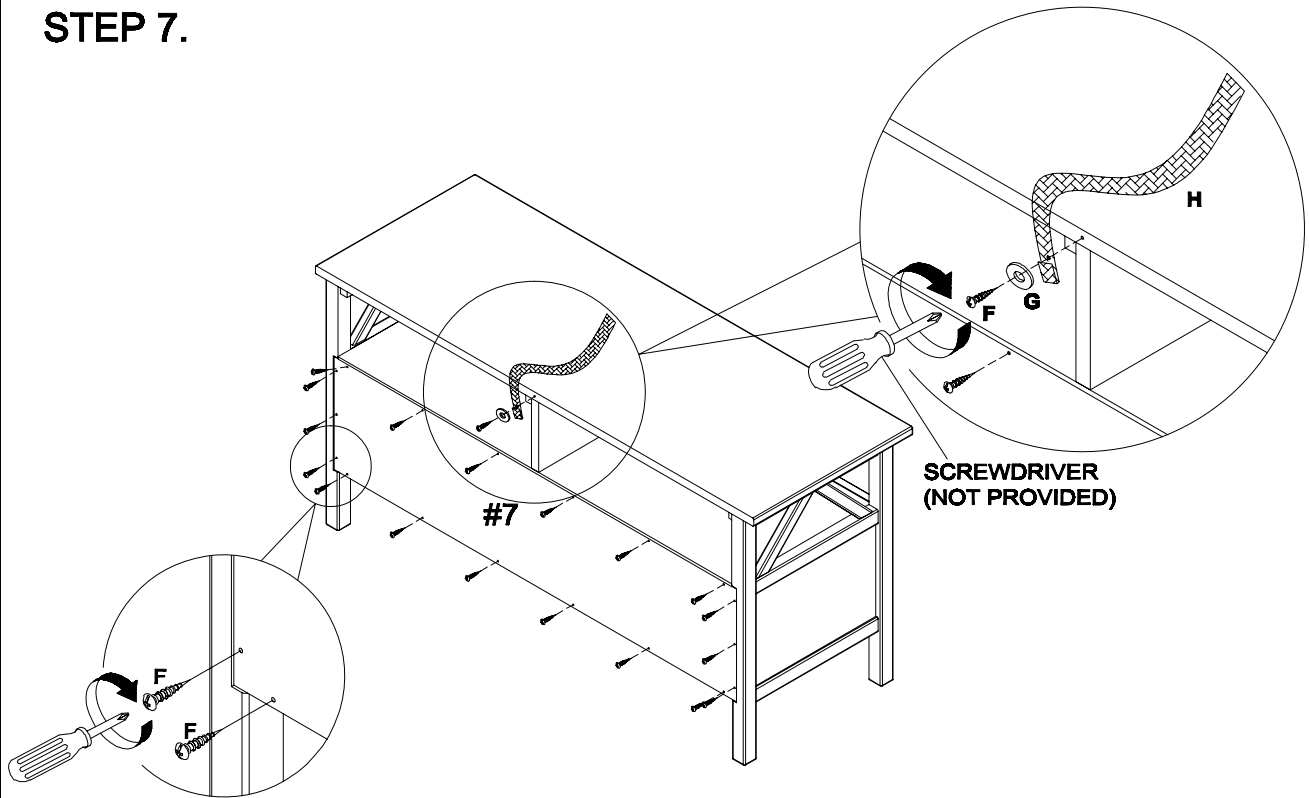


knocking the wooden dowels tight by hammer

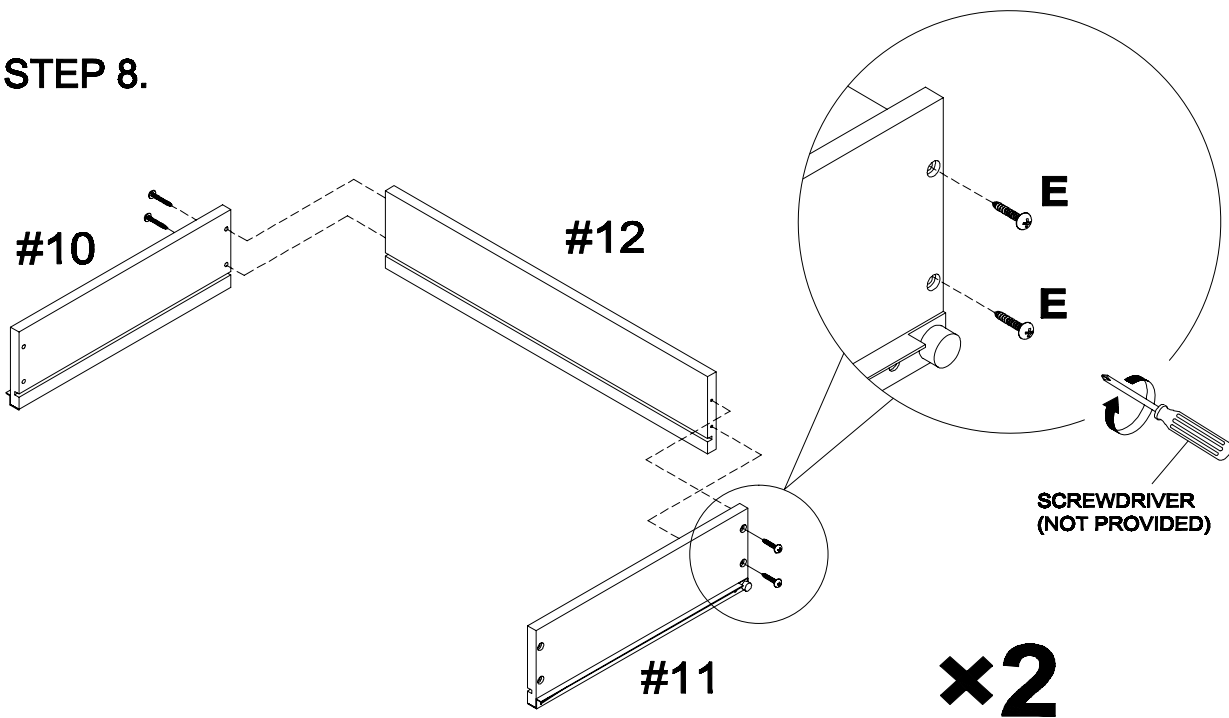


LINON HOME DECOR PRODUCTS, INC.

STEP 7.



STEP 8.

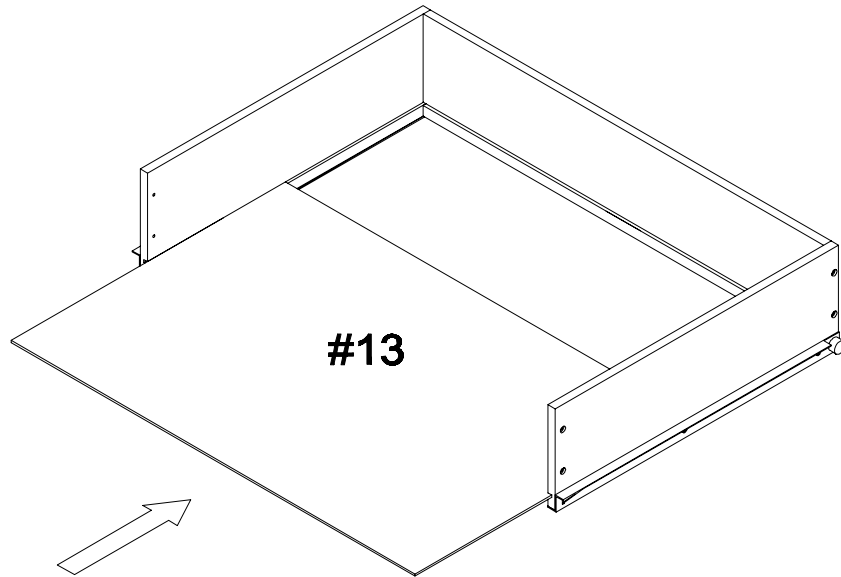


do not tighten screw completely until the bottom panel inserted



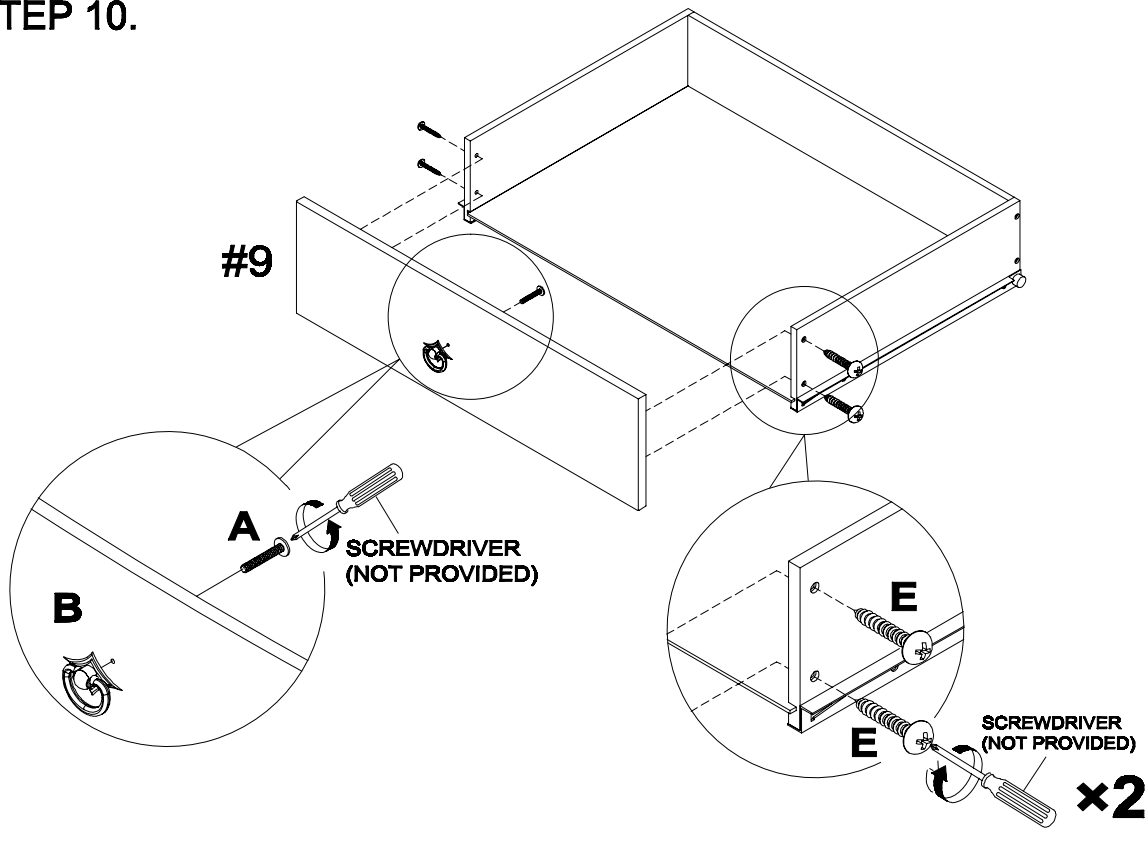
LINON HOME DECOR PRODUCTS, INC.

STEP 9.



x2

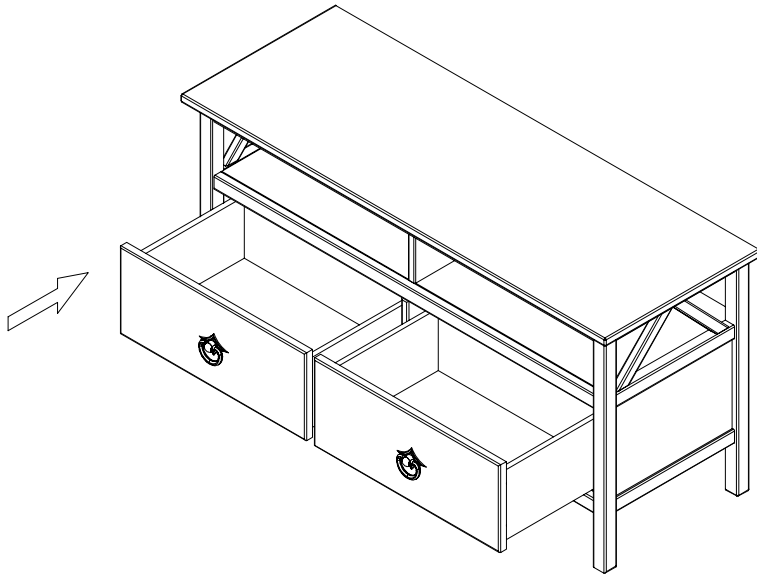
STEP 10.



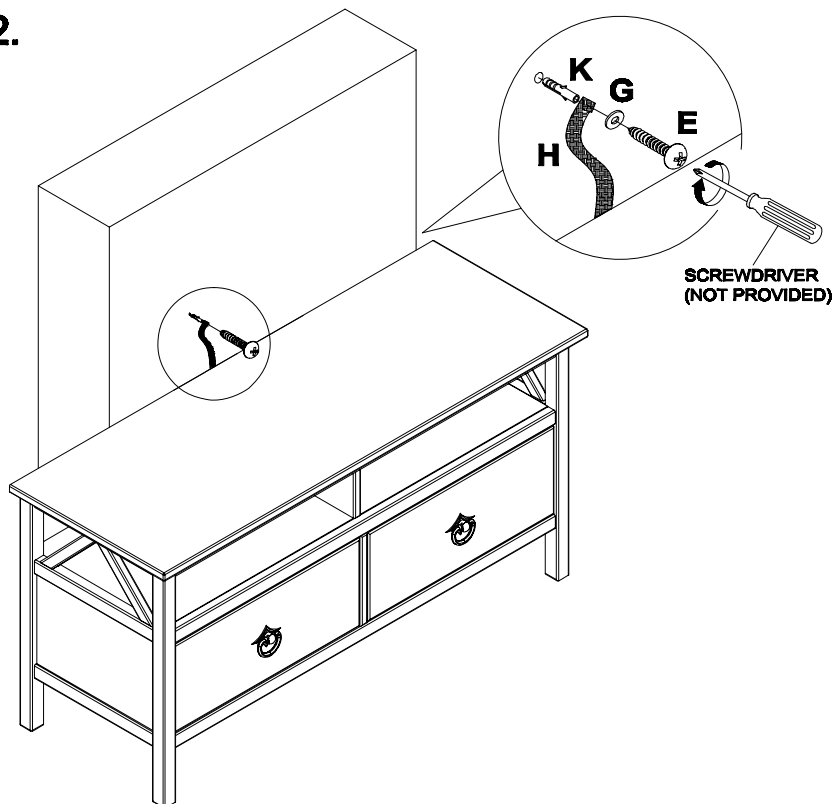


LINON HOME DECOR PRODUCTS, INC.

STEP 11.



STEP 12.





LINON HOME DECOR PRODUCTS, INC.



***** CAUTION *** - This stand is intended for use only with the products and maximum weights indicated. Use with other products or products heavier than the maximum weights indicated may result in instability causing possible injury.**

Model: 86158ATOB-01-KD-U

Description: TITIAN TV STAND

Distributor/Manufacturer: Linon Home Decor Products, Inc.

Origin: China

