



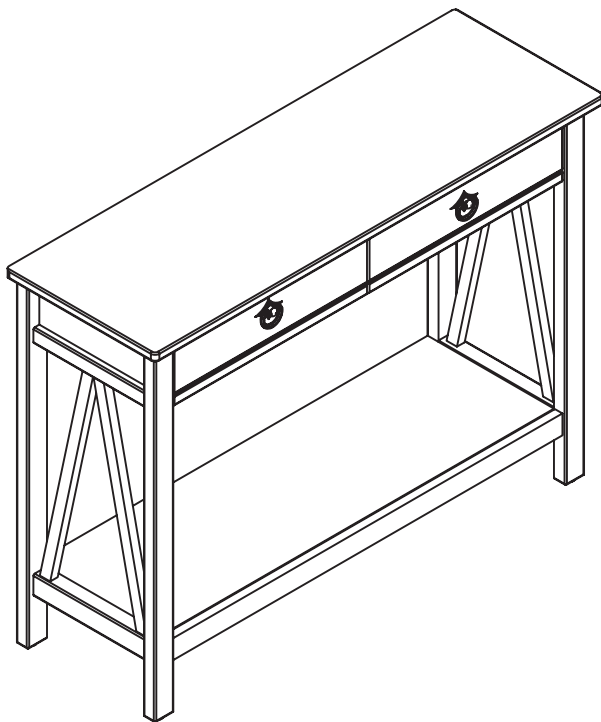
LINON HOME DECOR PRODUCTS, INC.

ASSEMBLY INSTRUCTIONS

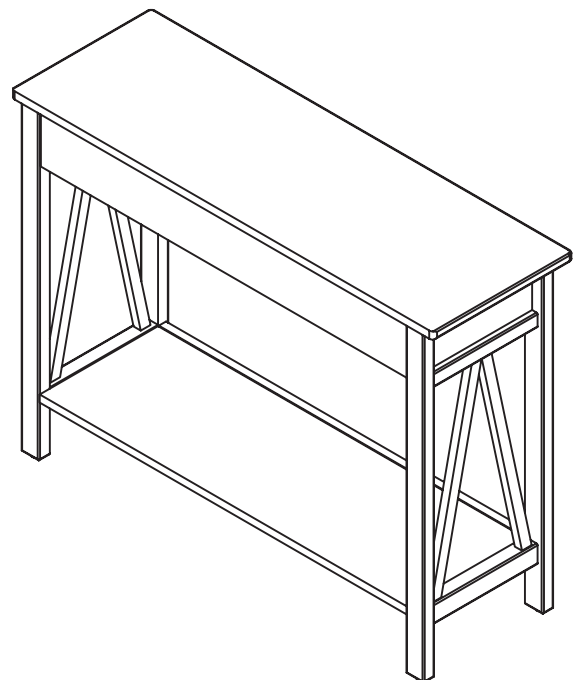
TITIAN CONSOLE TABLE

MODEL# 86152ATOB-01-KD-U

Sears# 15392



Front view



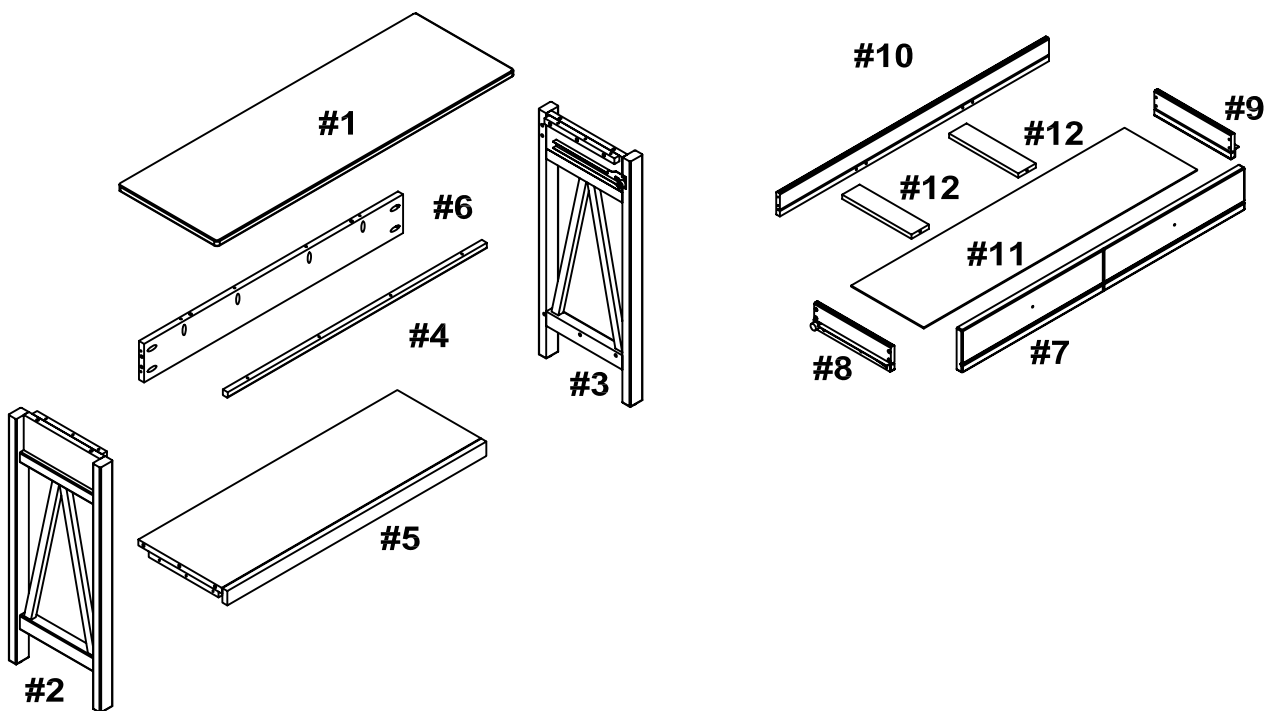
Back view



LINON HOME DECOR PRODUCTS, INC.

PARTS IDENTIFICATION

ITEM	DESCRIPTION	QTY
#1	TOP	01
#2	LEFT SIDE	01
#3	RIGHT SIDE	01
#4	PRESS PANEL	01
#5	BOTTOM PANEL	01
#6	BACK PANEL	01
#7	DRAWER FRONT	01
#8	DRAWER LEFT SIDE	01
#9	DRAWER RIGHT SIDE	01
#10	DRAWER BACK	01
#11	DRAWER BOTTOM	01
#12	DRAWER BOTTOM RAIL	02



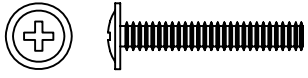

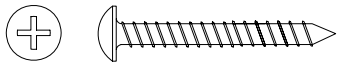
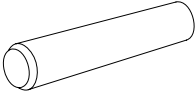
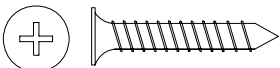


For ease of identification all parts are labeled to correspond to the Step number in which the part is used.



LINON HOME DECOR PRODUCTS, INC.

HARDWARE IDENTIFICATION

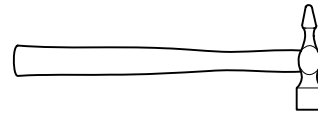
Please line up the hardware with the correct full size image to make sure you are installing the hardware correctly.

ITEM	PICTURE	DESCRIPTION	QTY
A		(Ø4) Not to Scale	LARGE BOLT 02
B		Not to Scale	KNOB 02
C		(Ø4x30mm) Full Size	SCREW 24
D		(Ø8x30mm) Full Size	WOOD DOWEL 16
E		(Ø3.5x25mm) Not to Scale	SCREW 12
F		Not to Scale	CAM BOLT 02
G		Not to Scale	CAM LOCK 02

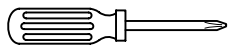
Tools required



Long screwdriver



Small
hammer



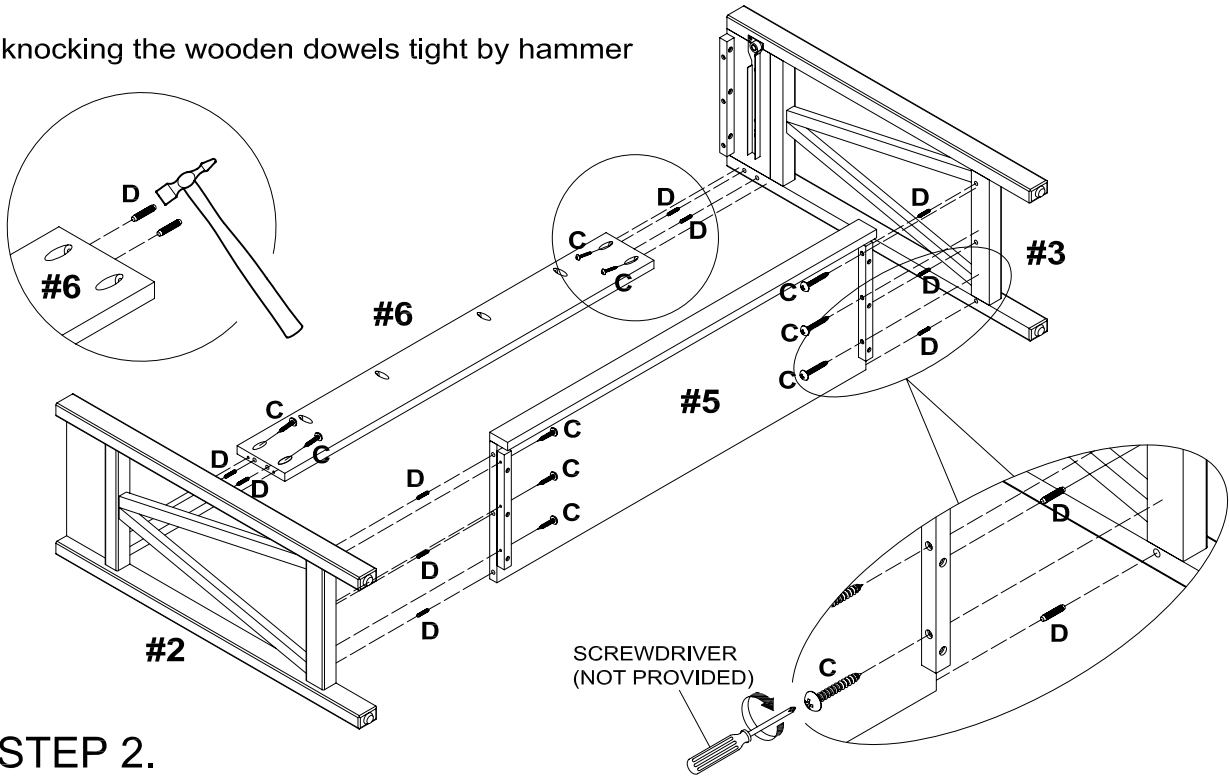
Short screwdriver



LINON HOME DECOR PRODUCTS, INC.

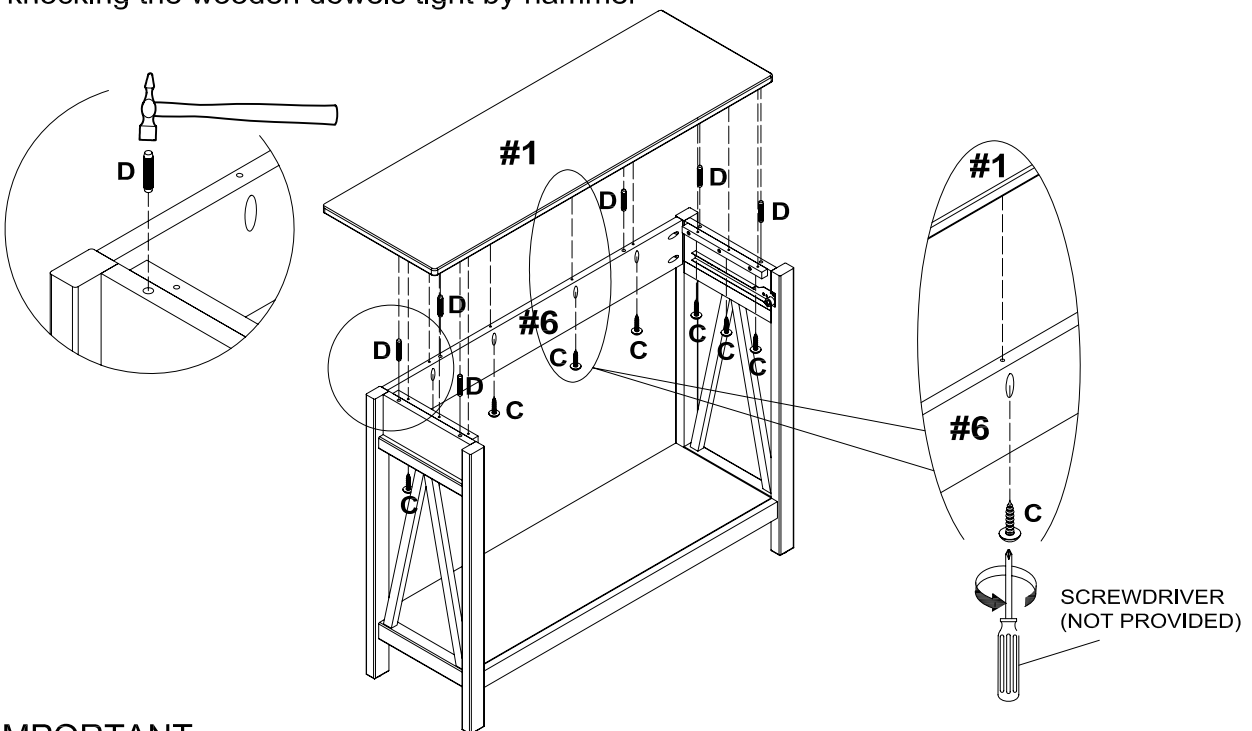
STEP 1.

knocking the wooden dowels tight by hammer



STEP 2.

knocking the wooden dowels tight by hammer



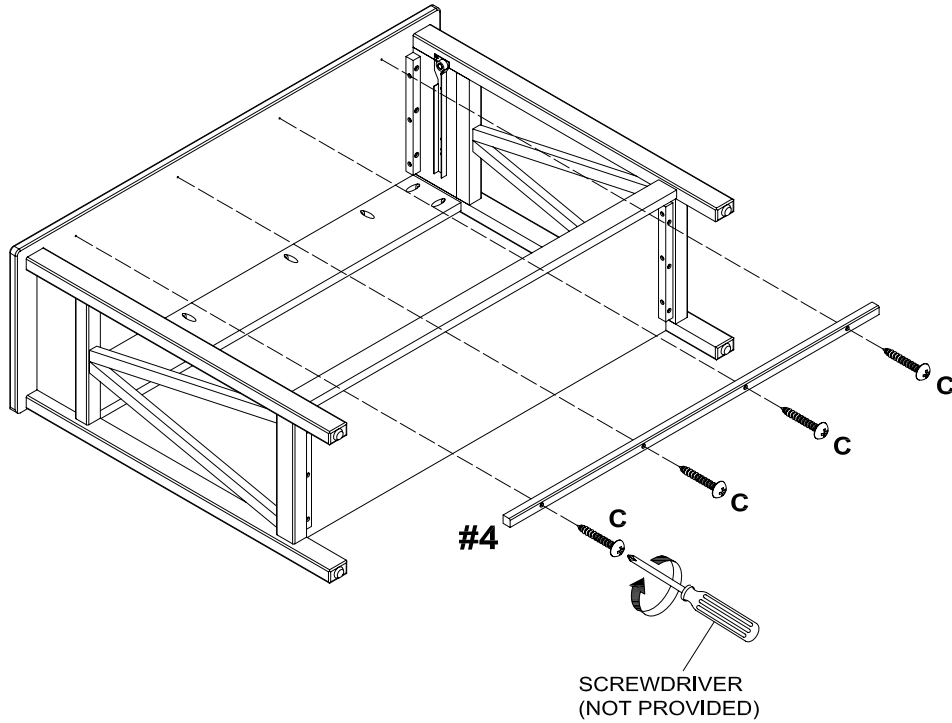
IMPORTANT:

1. DO NOT TIGHTEN BOLTS COMPLETELY UNTIL ALL BOLTS ARE COMPLETELY LINED UP AND INSERTED INTO HOLES / NUTS.
2. DO NOT OVER TIGHTEN SCREWS AND BOLTS TO AVOID STRIPPING.

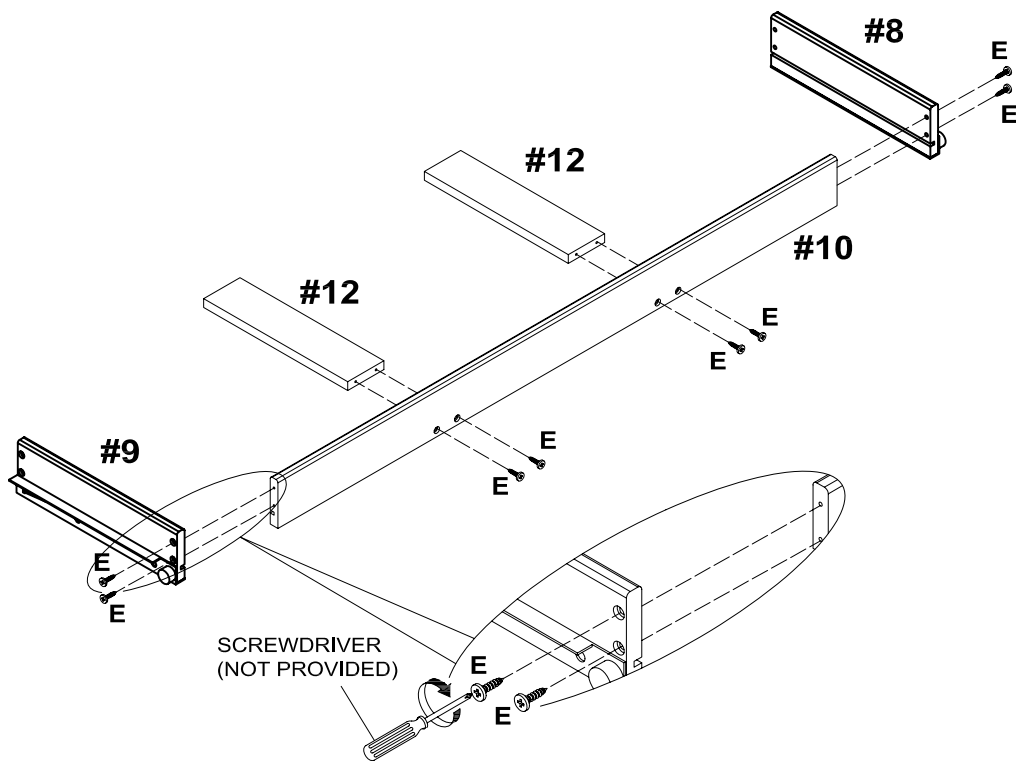


LINON HOME DECOR PRODUCTS, INC.

STEP 3.



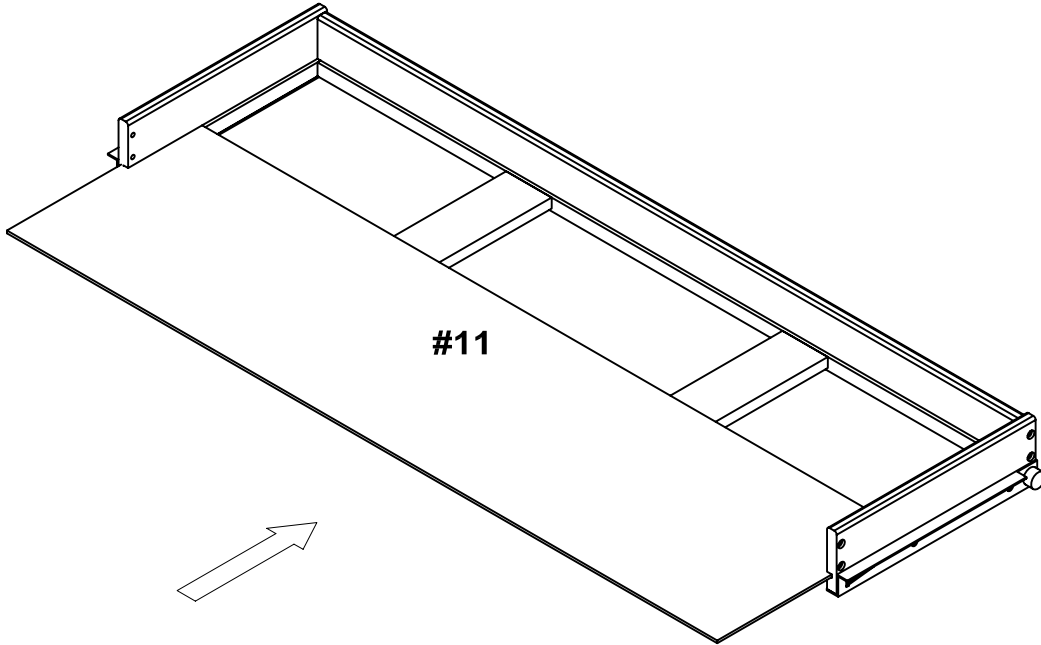
STEP 4.



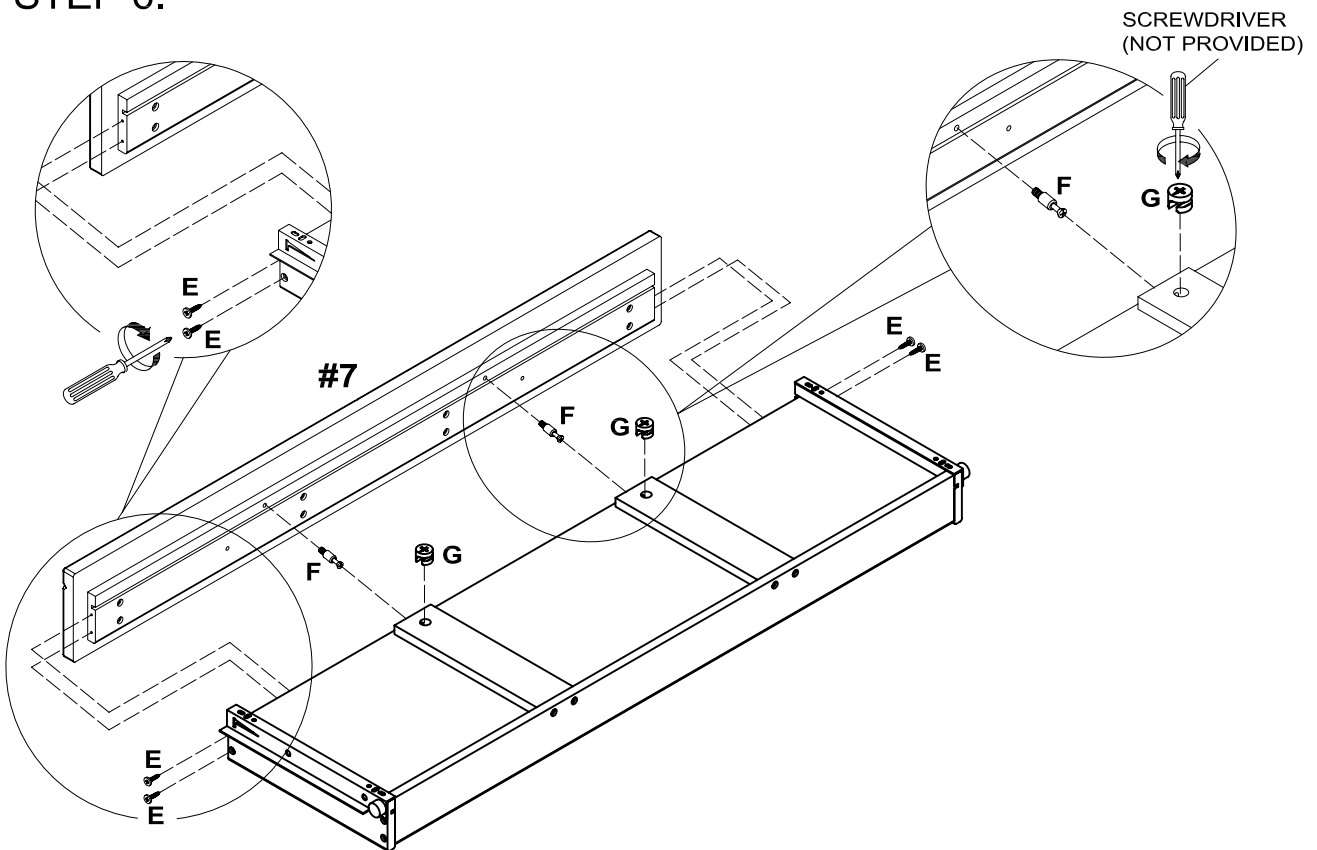


LINON HOME DECOR PRODUCTS, INC.

STEP 5.



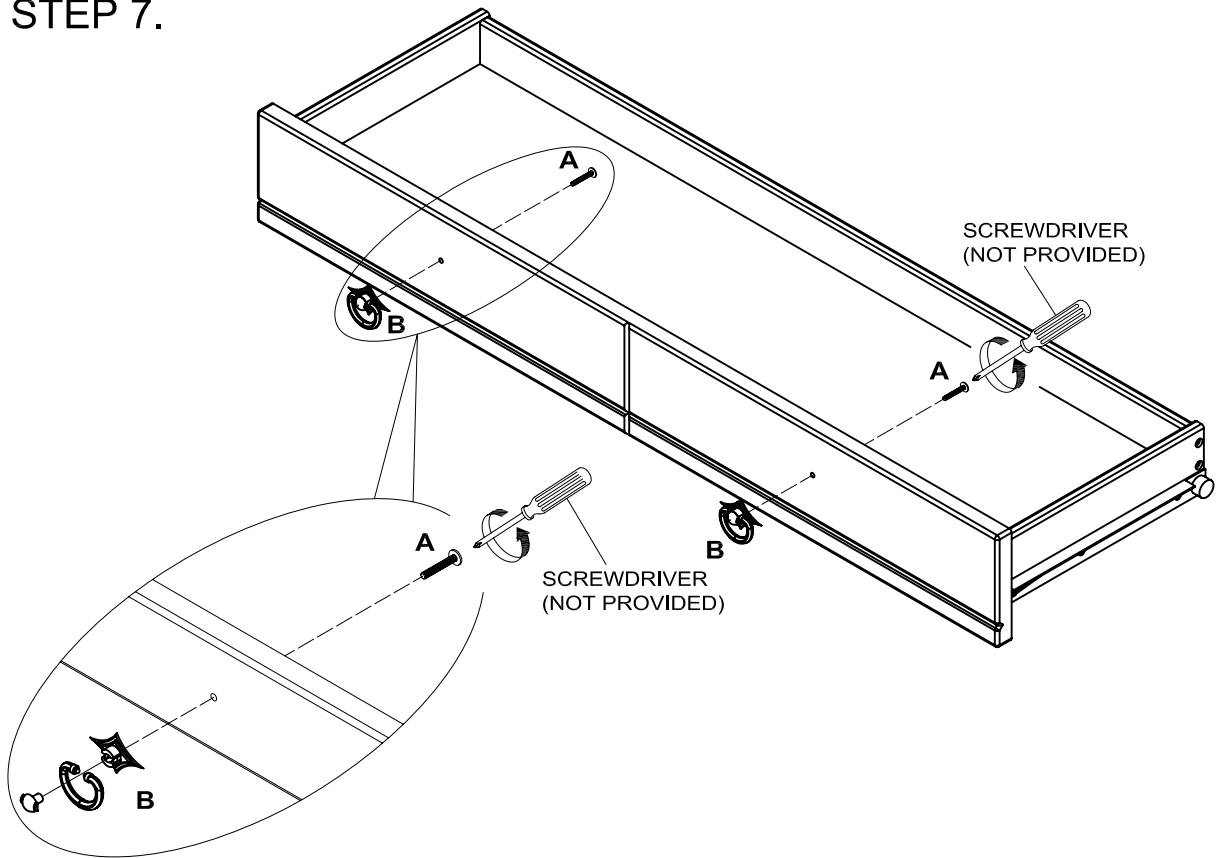
STEP 6.





LINON HOME DECOR PRODUCTS, INC.

STEP 7.



STEP 8.

