



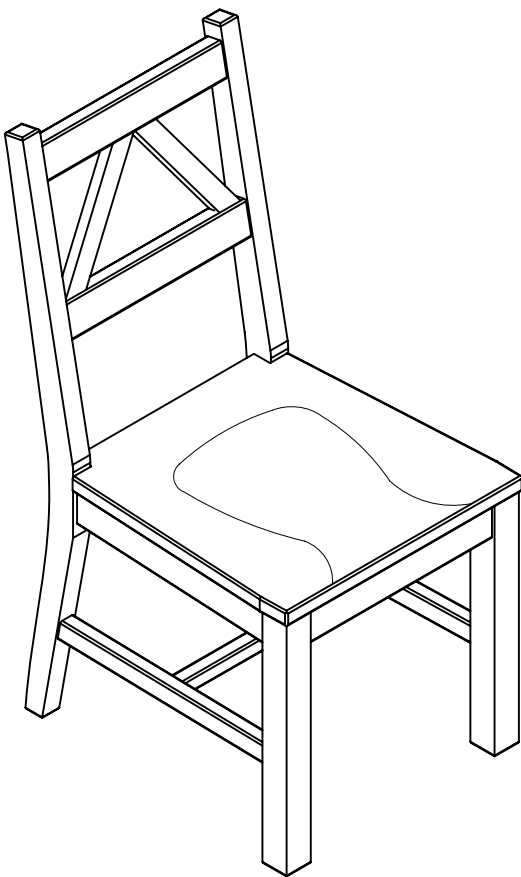
LINON HOME DECOR PRODUCTS, INC.

ASSEMBLY INSTRUCTIONS

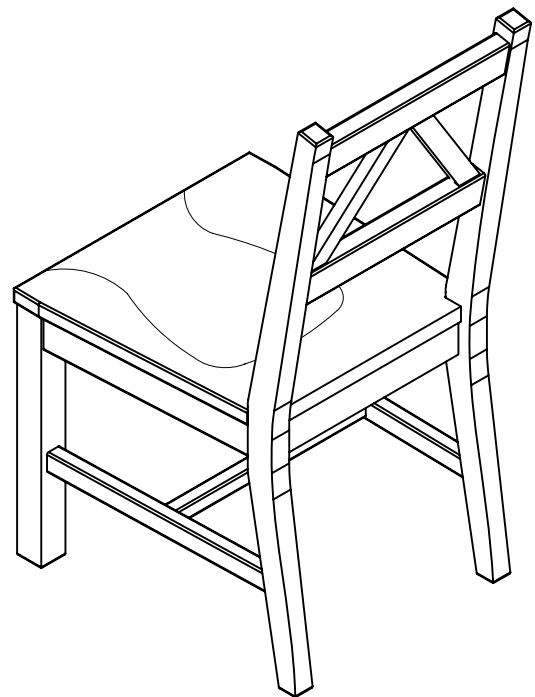
TITIAN CHAIR

MODEL# 86157ATOB-01-KD-U

Sears# 15398



Front view



Back view

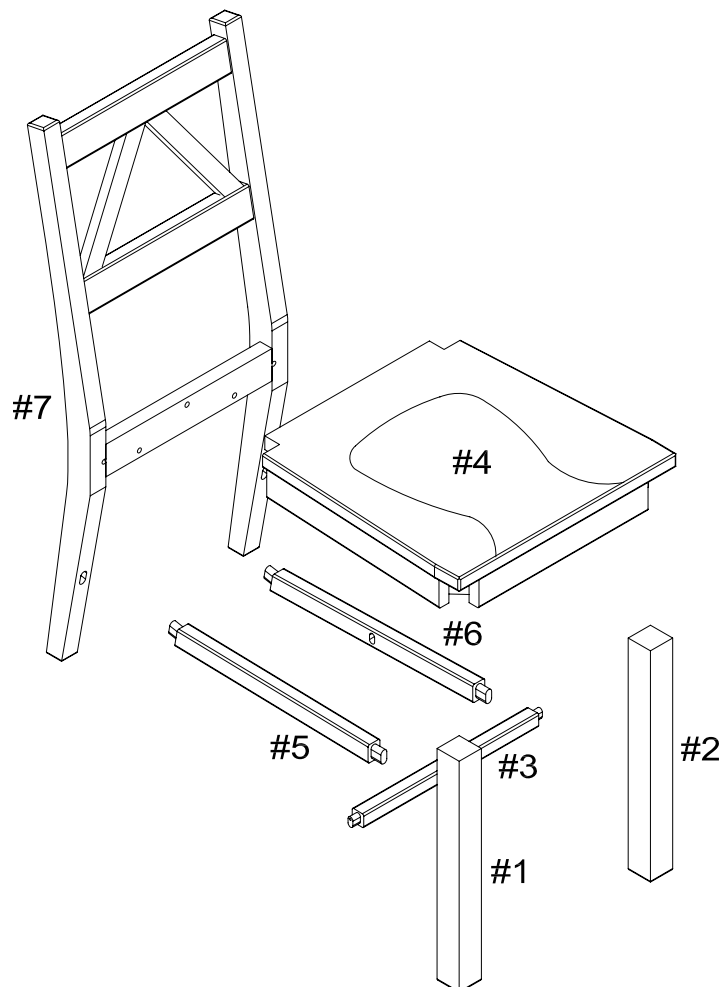
MADE IN CHINA
FOR LINON HOME DECOR PRODUCTS INC BY CH46



LINON HOME DECOR PRODUCTS, INC.

PARTS IDENTIFICATION

ITEM	DESCRIPTION	QTY
#1	LEFT LEG	01
#2	RIGHT LEG	01
#3	FRONT RAIL	01
#4	SEAT	01
#5	LEFT RAIL	01
#6	RIGHT RAIL	01
#7	BACKREST	01



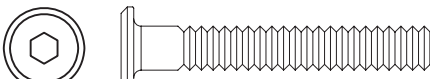

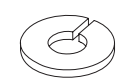
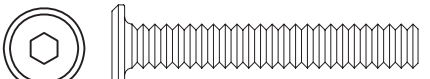
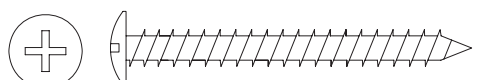

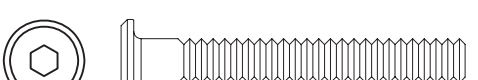
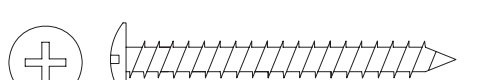
For ease of identification all parts are labeled to correspond to the Step number in which the part is used.



LINON HOME DECOR PRODUCTS, INC.

HARDWARE IDENTIFICATION

Please line up the hardware with the correct full size image to make sure you are installing the hardware correctly.

ITEM	PICTURE	DESCRIPTION	QTY
A		(Ø6x60mm) Not to Scale	LARGE BOLT 04
B		(Ø20mm) Not to Scale	FLAT WASHER 09
C		(Ø10mm) Not to Scale	SPRING WASHER 09
D		(Ø6x40mm) Full Size	SMALL BOLT 03
E		(Ø4x45mm) Full Size	LONG SCREW 04
F		Not to Scale	ALLEN KEY 01
G		(Ø6x70mm) Not to Scale	BOLT 02
H		(Ø4x40mm) Full Size	SCREW 02

Tools required

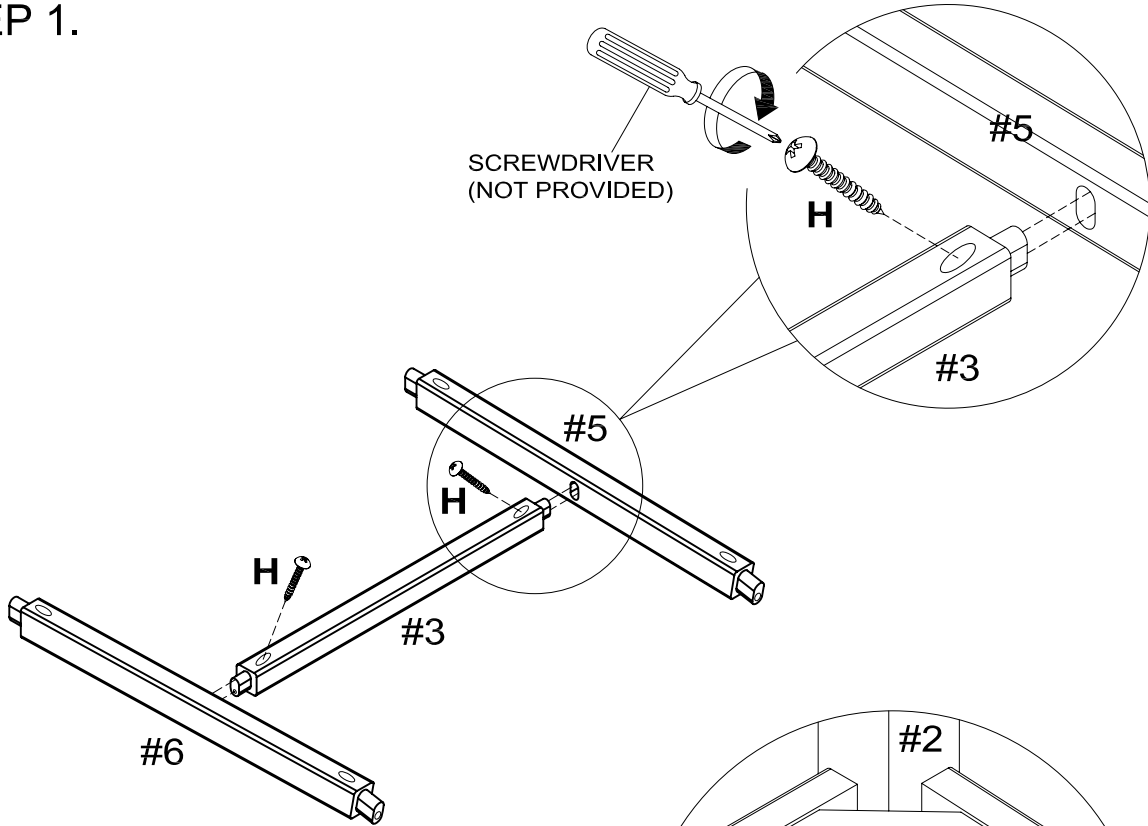


Long screwdriver

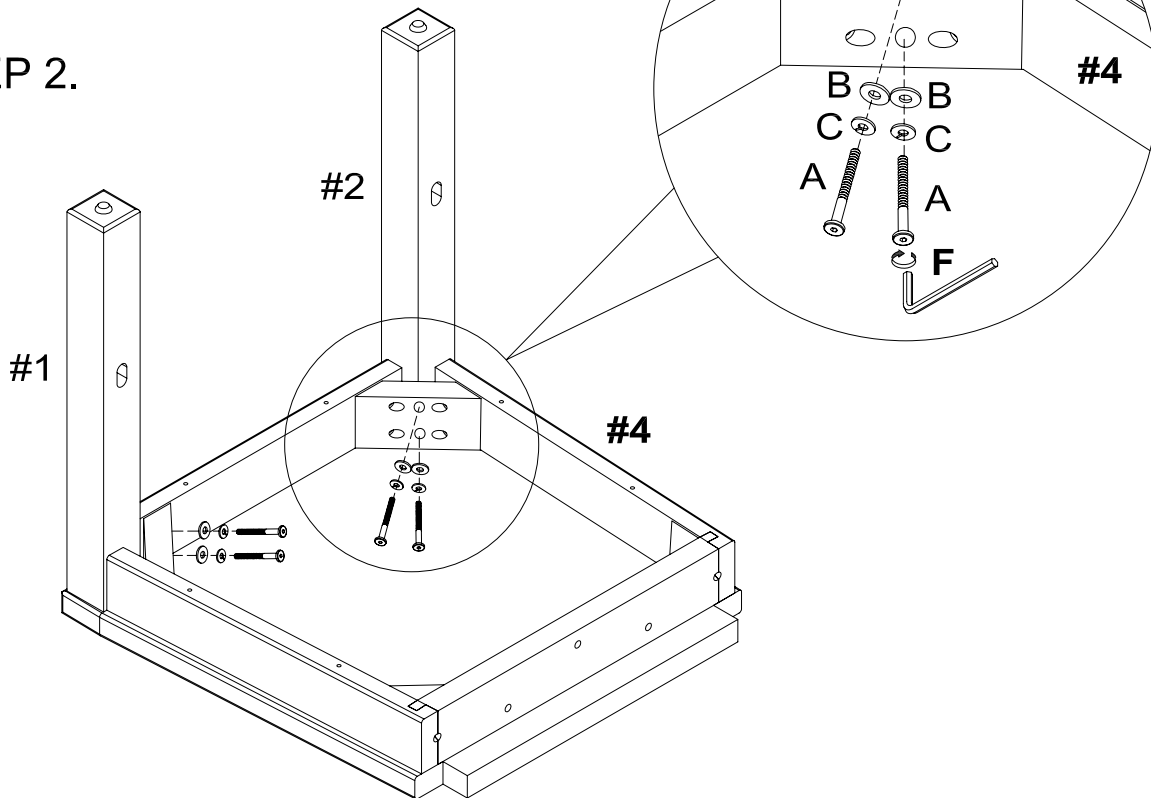


LINON HOME DECOR PRODUCTS, INC.

STEP 1.



STEP 2.



IMPORTANT:

1. DO NOT TIGHTEN BOLTS COMPLETELY UNTIL ALL BOLTS ARE COMPLETELY LINED UP AND INSERTED INTO HOLES / NUTS.
2. DO NOT OVER TIGHTEN SCREWS AND BOLTS TO AVOID STRIPPING.

